

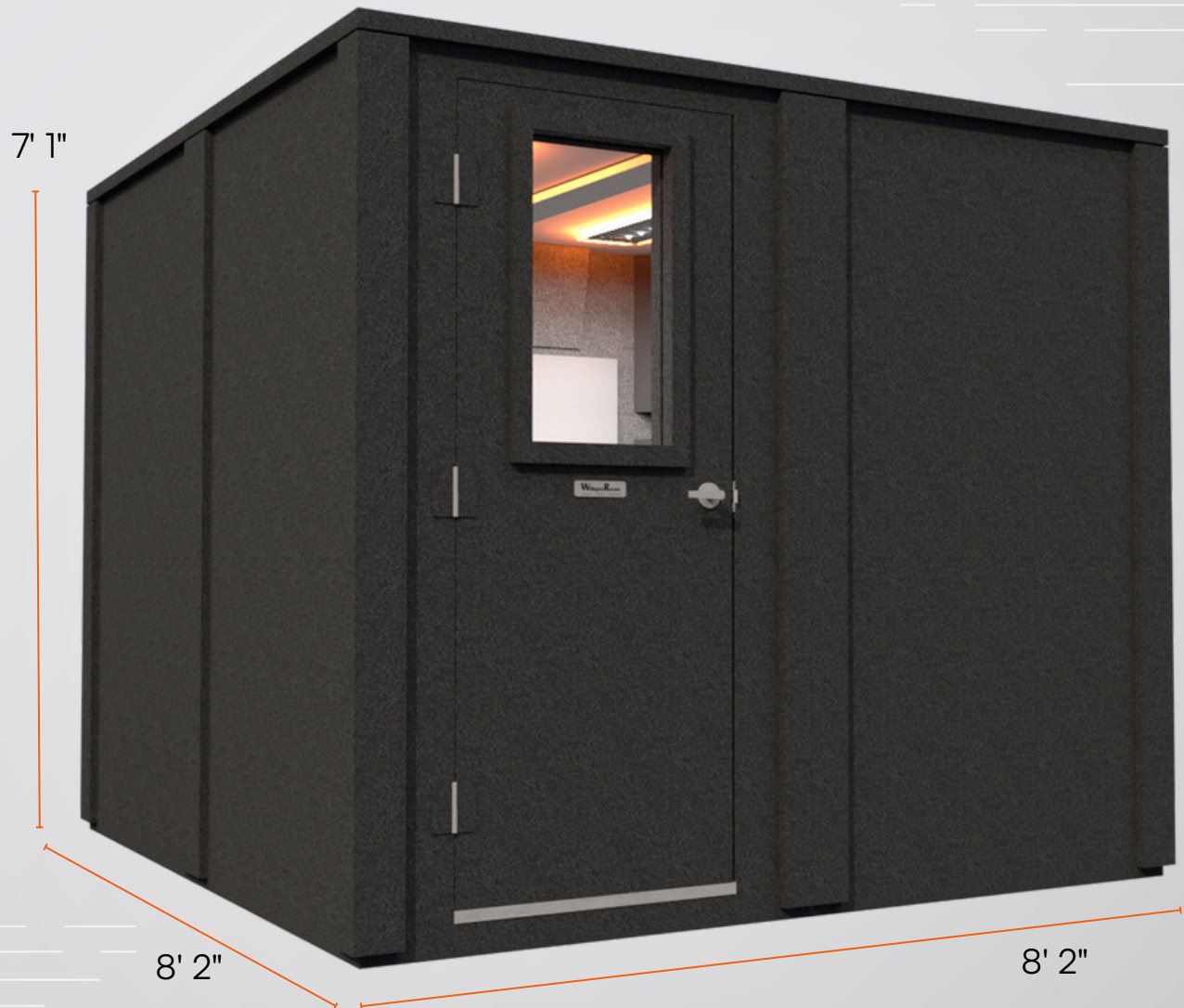
# Drum Booth

Double-Wall Sound Booth | 8' x 8'



# Drum Booth

Double-Wall Sound Booth | 8' x 8'



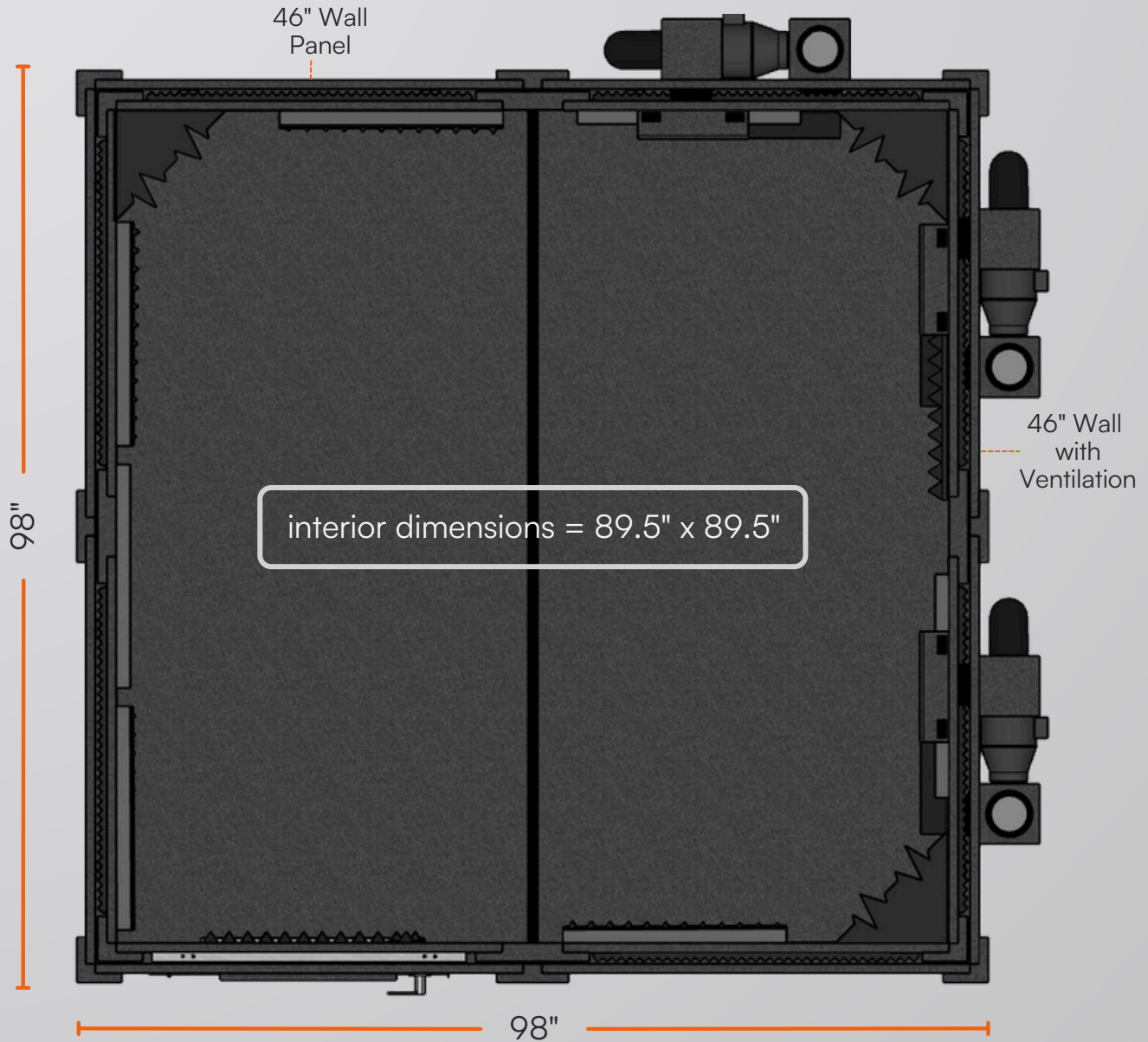
Exterior Dimensions	8' 2" x 8' 2" x 7' 1"
Interior Dimensions	7' 5.5" x 7' 5.5" x 6' 8"
Assembled Weight	2635 lbs (1195 kg)
Assembly Time	~ 6 hours
Wall Thickness	1" MDF barrier + 1.25" air gap + 1" MDF barrier
Wall Panel Layers	Two 1" MDF barriers + 1.25" air gap + 2" foam
Door Window Thickness	3 1/8"
Door Window Layers	Dual laminated glass sets with central air gap
Window Size	16" x 30"

**Note:** Exterior dimensions exclude 5.5" ventilation duct protrusion. Height increases by 5" with the optional caster plate.

# Drum Booth

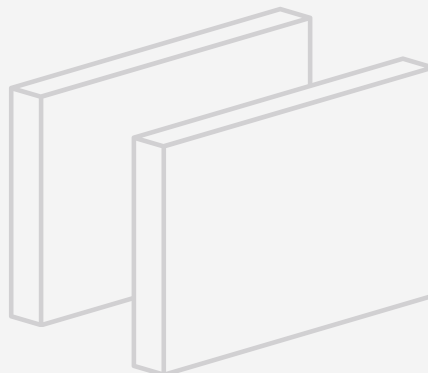
Double-Wall Sound Booth | 8' x 8'

Top-Down Layout & Modular Panel Configuration



## All 46" wall components are interchangeable:

- Solid Wall Panels
- Wall with Ventilation
- Wall with Door
- Wall with Window (optional)



## Ventilation & Clearance:

- Vent system protrudes 5.5"
- Allow 6" from host room walls
- Door swing: 30", opens outward

# Drum Booth

Double-Wall Sound Booth | 8' x 8'

## Basic Features (Included)



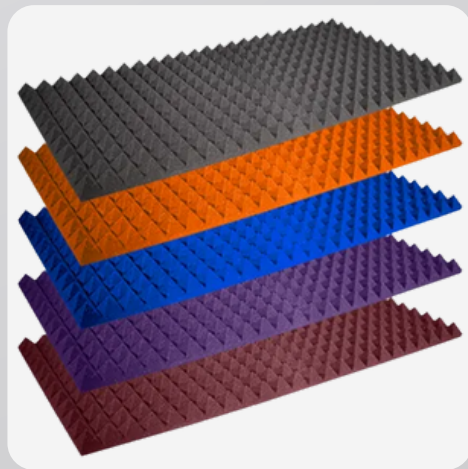
Ventilation systems (3)



16" x 30" door window



Cable passages (6)



Acoustic studiofoam (7)

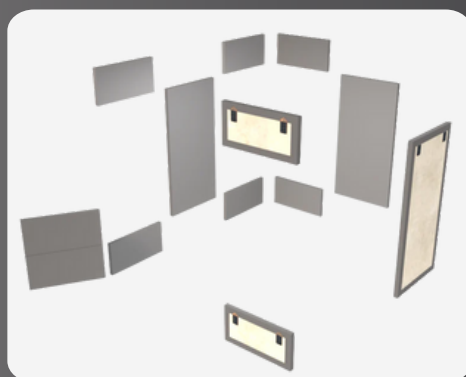


18" LED light

## Options & Accessories (Included)



Studio light



Acoustic package



Bass traps (8)