

SINGLE-WALL SOUND BOOTH • 3.5' × 2.5'

MDL 4230 S



Shown with optional studio light

EXTERIOR FOOTPRINT

3' 8" × 2' 8"

ASSEMBLED WEIGHT

485 lbs (220 kg)

ASSEMBLY TIME

~2 hours

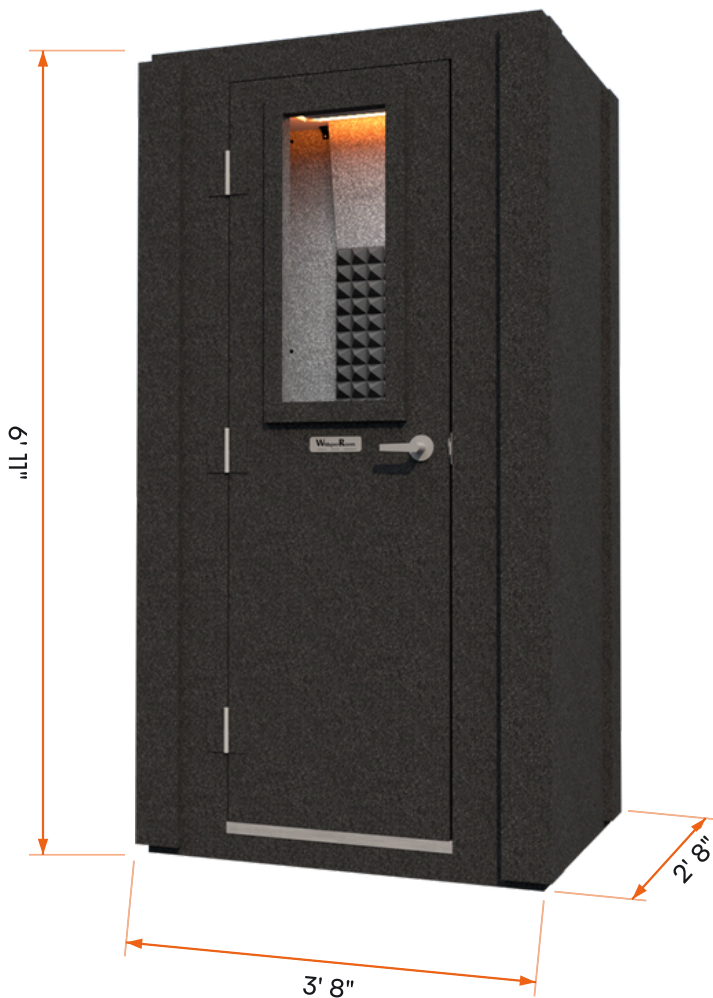
MODULAR SOUND ISOLATION

MDL 4230 S

SINGLE-WALL SOUND BOOTH | 3.5' x 2.5'

WhisperRoom®

02 Dimensions & Construction



DIMENSIONS

EXTERIOR	3' 8" x 2' 8" x 6' 11"
INTERIOR	3' 4" x 2' 4" x 6' 8"
WINDOW SIZE	12" x 30"

Note: Exterior dimensions exclude 5.5" ventilation duct protrusion. Height increases by 5" with the optional caster plate.

CONSTRUCTION

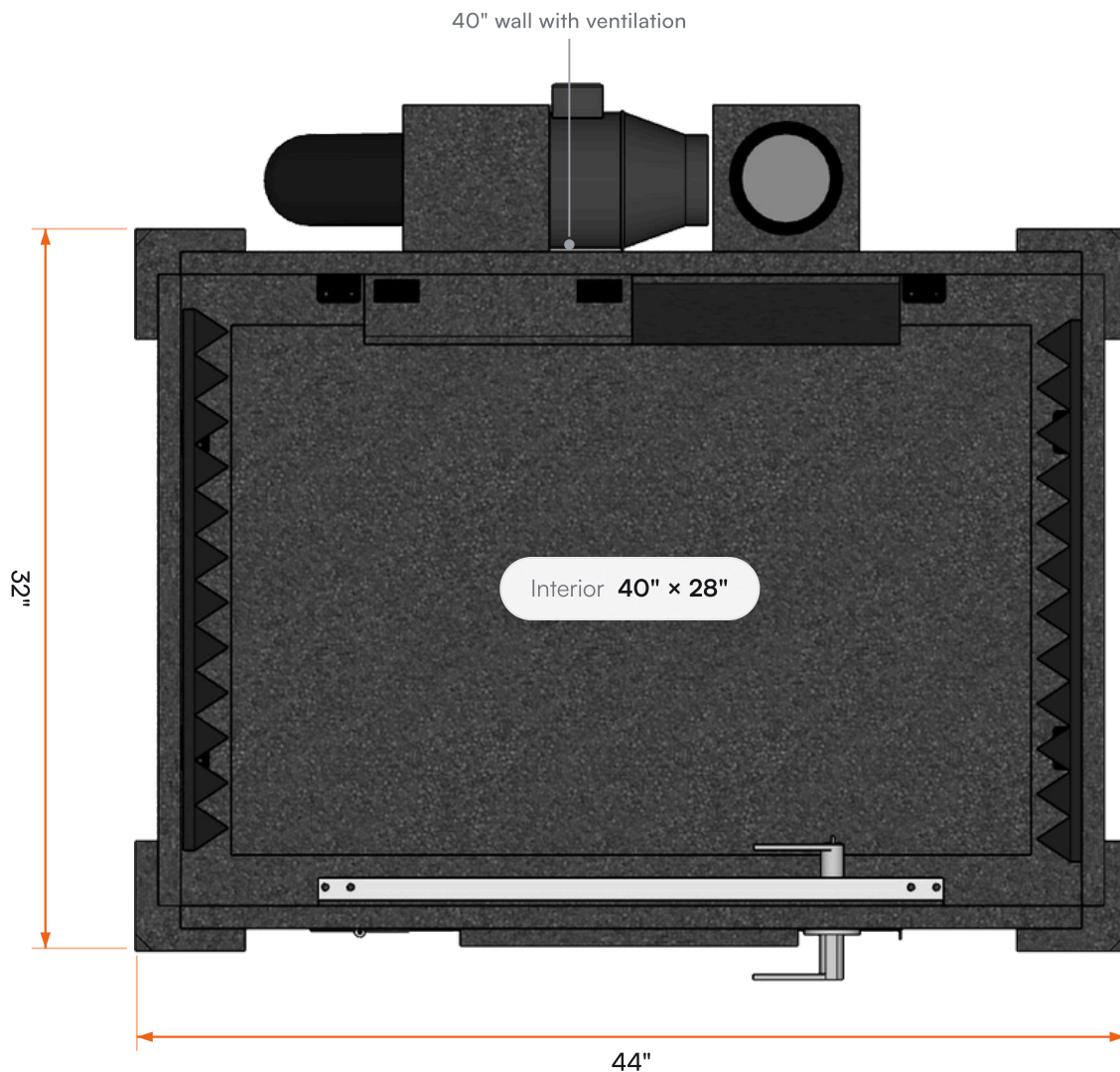
ASSEMBLED WEIGHT	485 lbs (220 kg)
ASSEMBLY TIME	~2 hours
WALL THICKNESS	1" MDF barrier
WALL PANEL LAYERS	1" MDF barrier + 2" foam
DOOR WINDOW THICKNESS	3/4"
DOOR WINDOW LAYERS	Laminated safety glass + air gap

MDL 4230 S

SINGLE-WALL SOUND BOOTH | 3.5' x 2.5'

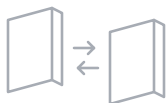
WhisperRoom®

03 Top-Down Layout & Modular Panel Configuration



All 40" wall components are interchangeable

- Wall with ventilation
- Wall with door



Ventilation & clearance

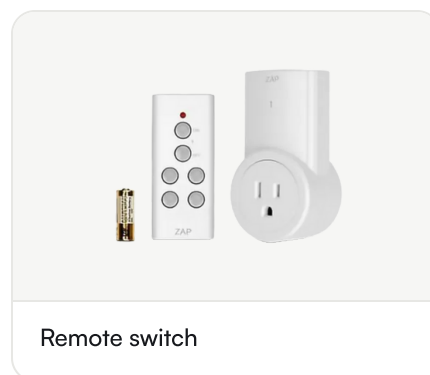
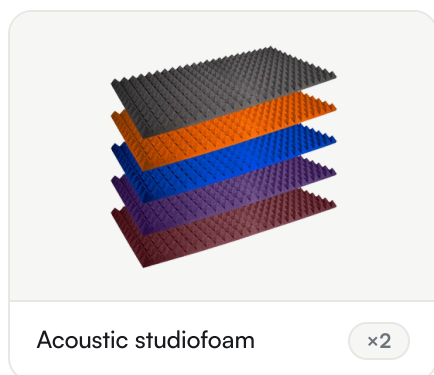
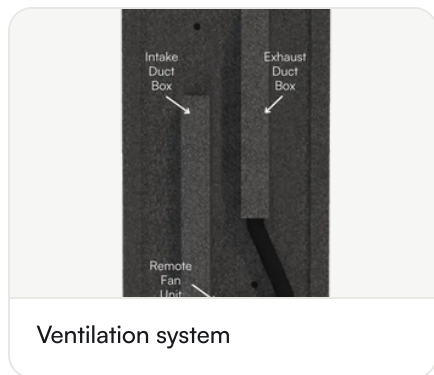
- Vent system protrudes 5.5"
- Allow 6" from host room walls
- Door swing: 24", opens outward

MDL 4230 S

SINGLE-WALL SOUND BOOTH | 3.5' x 2.5'

WhisperRoom®

04 Basic Features (Included)



Options & Accessories

SOLD SEPARATELY

INTERIOR UPGRADES

- Studio light
- Audimute acoustic panels
- Acoustic package
- LENRD bass traps

STRUCTURAL MODS

- 10" height extension
- IEP floor

ACCESS & MOBILITY

- Caster plate
- Step

VENTILATION UPGRADES

- HEPA filter
- Ventilation silencing system
- Exterior fan silencer

FUNCTIONAL ADD-ONS

- Multi jack panel

Configure your booth
or request a quote.

whisperroom.com