

SINGLE-WALL SOUND BOOTH • 4' x 4'

MDL 4848 S



MODULAR SOUND ISOLATION

Shown with optional studio light

EXTERIOR FOOTPRINT

4' 2" x 4' 2"

ASSEMBLED WEIGHT

680 lbs (308kg)

ASSEMBLY TIME

~2 hours

MDL 4848 S

SINGLE-WALL SOUND BOOTH | 4' x 4'

WhisperRoom®

02 Dimensions & Construction



DIMENSIONS

EXTERIOR	4' 2" x 4' 2" x 6' 11"
INTERIOR	3' 10" x 3' 10" x 6' 8"
WINDOW SIZE	16" x 30"

Note: Exterior dimensions exclude 5.5" ventilation duct protrusion. Height increases by 5" with the optional caster plate.

CONSTRUCTION

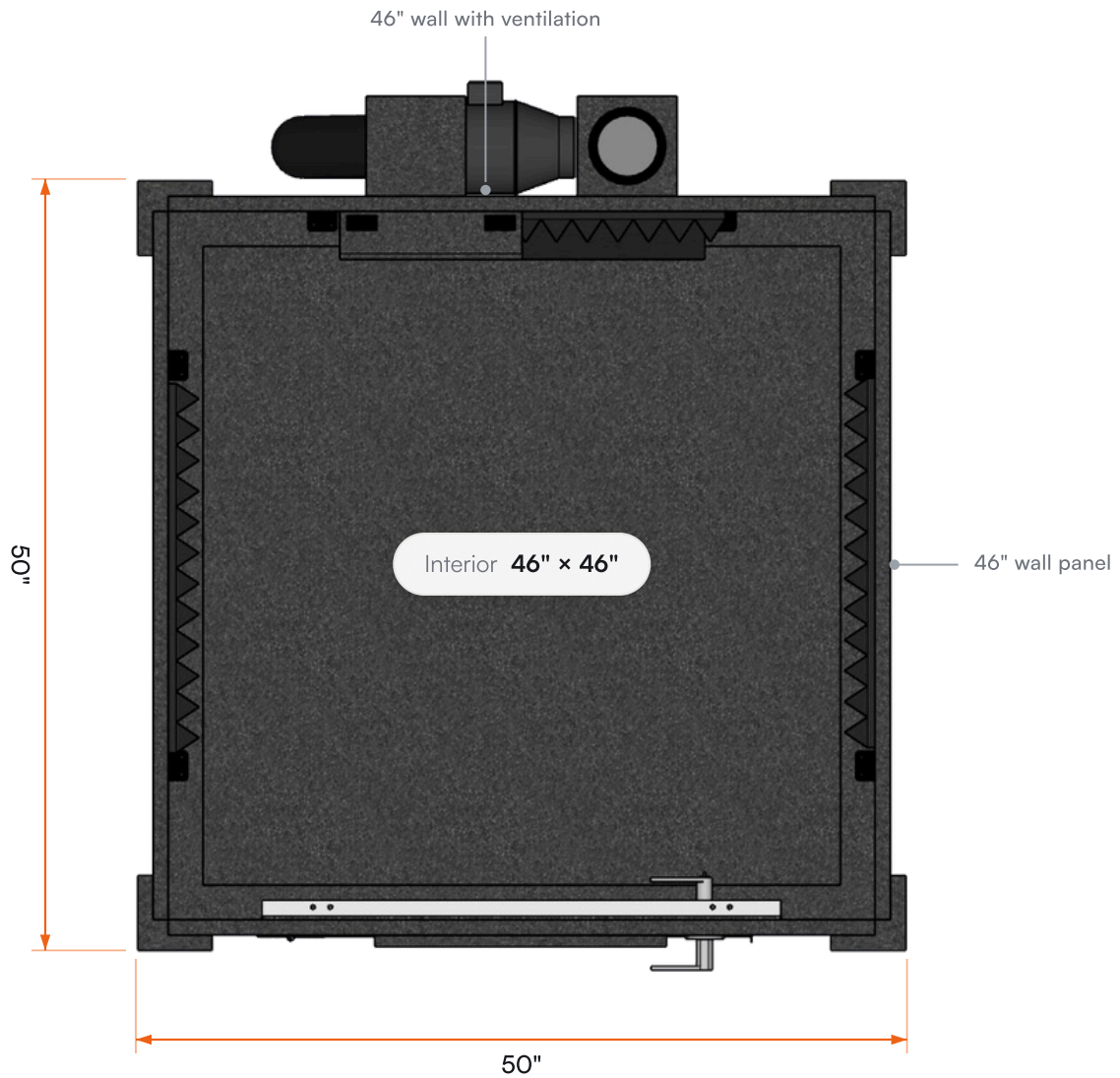
ASSEMBLED WEIGHT	680 lbs (308kg)
ASSEMBLY TIME	~2 hours
WALL THICKNESS	1" MDF barrier
WALL PANEL LAYERS	1" MDF barrier + 2" foam
DOOR WINDOW THICKNESS	3/4"
DOOR WINDOW LAYERS	Laminated safety glass + air gap

MDL 4848 S

SINGLE-WALL SOUND BOOTH | 4' x 4'

WhisperRoom®

03 Top-Down Layout & Modular Panel Configuration



All 46" wall components are interchangeable

- Solid wall panels
- Wall with ventilation
- Wall with door
- Wall with window (optional)



Ventilation & clearance

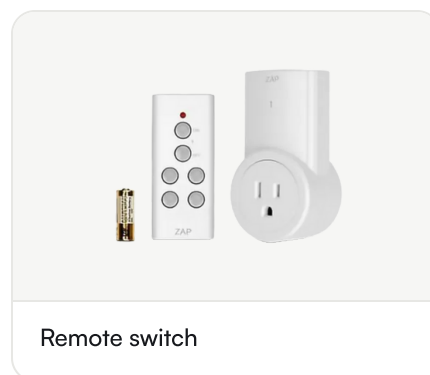
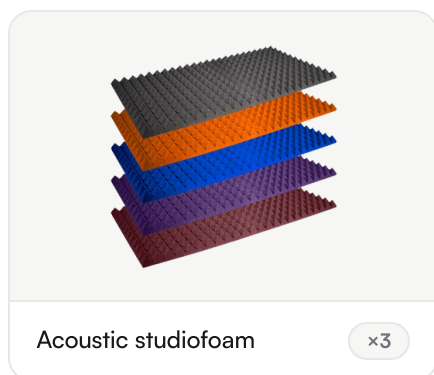
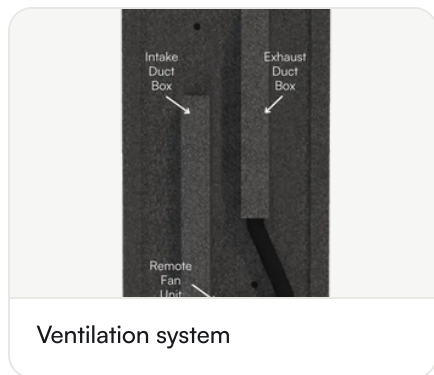
- Vent system protrudes 5.5"
- Allow 6" from host room walls
- Door swing: 30", opens outward

MDL 4848 S

SINGLE-WALL SOUND BOOTH | 4' x 4'

WhisperRoom®

04 Basic Features (Included)



Options & Accessories

SOLD SEPARATELY

INTERIOR UPGRADES

- Studio light
- Audimute acoustic panels
- Acoustic package
- LENRD bass traps

STRUCTURAL MODS

- 10" height extension
- Wall windows
- IEP floor

ACCESS & MOBILITY

- Caster plate
- Step

VENTILATION UPGRADES

- HEPA filter
- Ventilation silencing system
- Exterior fan silencer

FUNCTIONAL ADD-ONS

- Multi jack panel
- Office desk

**Configure your booth
or request a quote.**

whisperroom.com