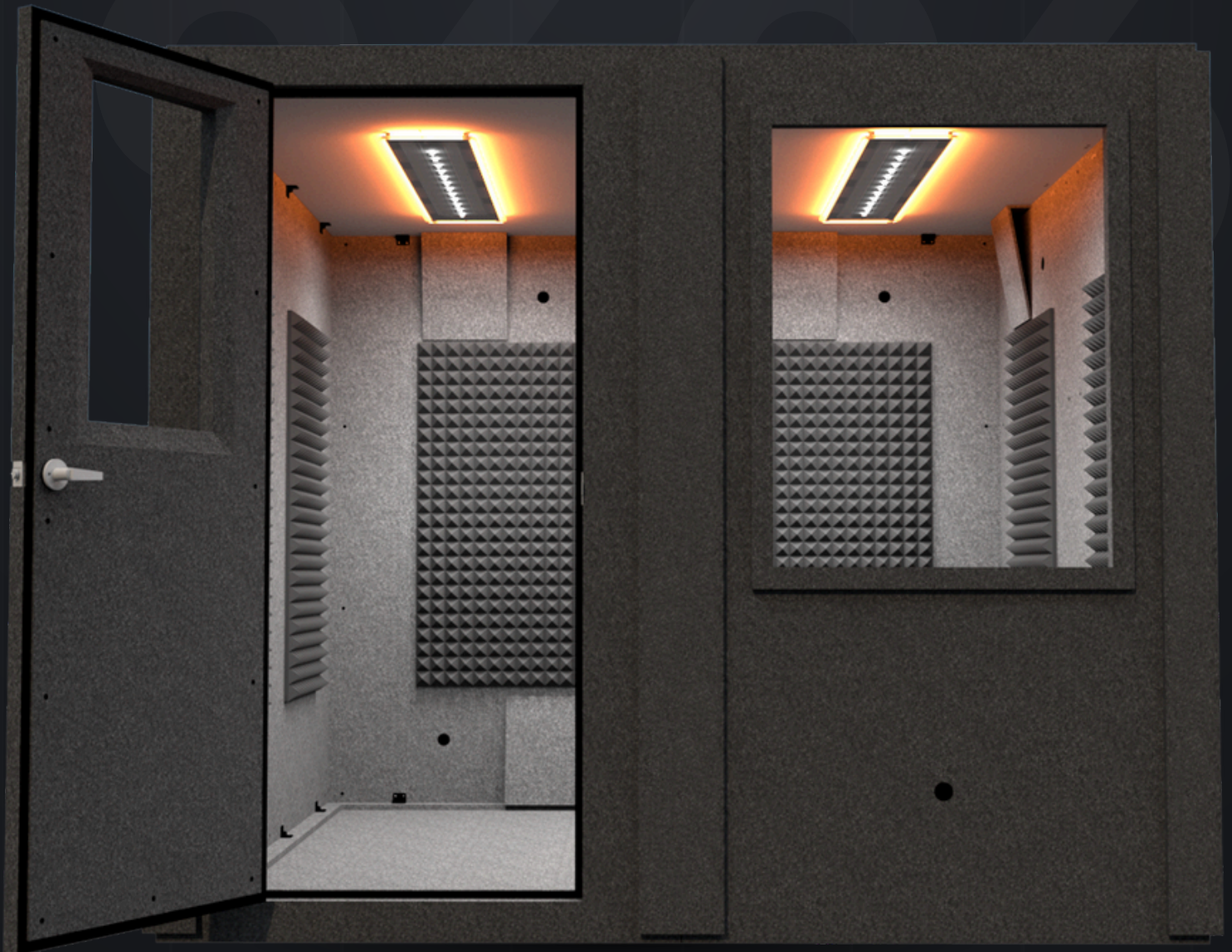


SINGLE-WALL SOUND BOOTH • 8' x 8'

MDL 9696 S

MODULAR SOUND ISOLATION



Shown with optional studio light and wall window

EXTERIOR FOOTPRINT

8' 2" x 8' 2"

ASSEMBLED WEIGHT

1,541 lbs (699 kg)

ASSEMBLY TIME

~3.5 hours

MDL 9696 S

SINGLE-WALL SOUND BOOTH | 8' x 8'

WhisperRoom®

02 Dimensions & Construction



DIMENSIONS

EXTERIOR	8' 2" x 8' 2" x 6' 11"
INTERIOR	7' 10" x 7' 10" x 6' 8"
WINDOW SIZE	16" x 30"

Note: Exterior dimensions exclude 5.5" ventilation duct protrusion. Height increases by 5" with the optional caster plate.

CONSTRUCTION

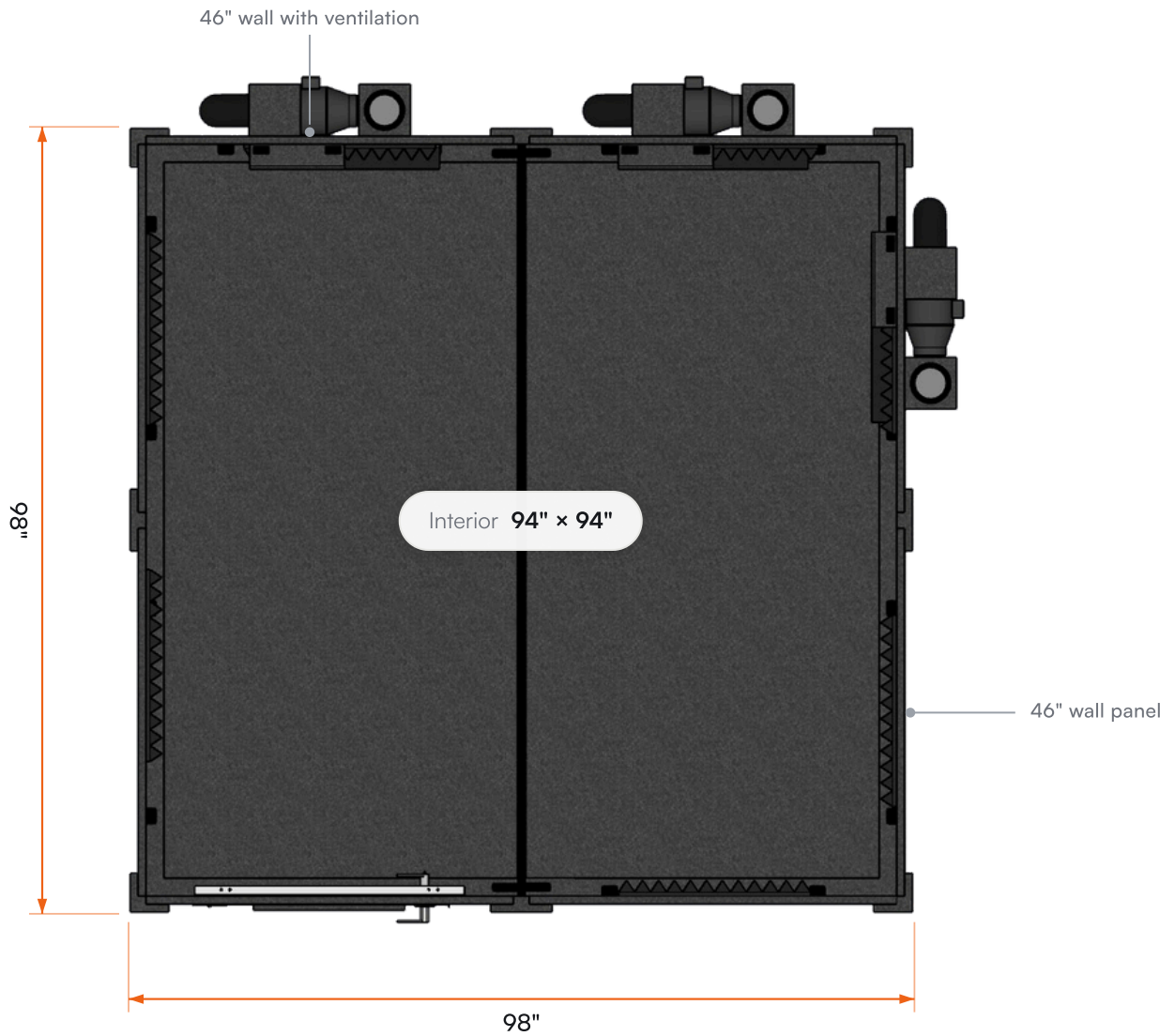
ASSEMBLED WEIGHT	1,541 lbs (699 kg)
ASSEMBLY TIME	~3.5 hours
WALL THICKNESS	1" MDF barrier
WALL PANEL LAYERS	1" MDF barrier + 2" foam
DOOR WINDOW THICKNESS	3/4"
DOOR WINDOW LAYERS	Laminated safety glass + air gap

MDL 9696 S

SINGLE-WALL SOUND BOOTH | 8' x 8'



03 Top-Down Layout & Modular Panel Configuration



All 46" wall components are interchangeable

- Solid wall panels
- Wall with ventilation
- Wall with door
- Wall with window (optional)



Ventilation & clearance

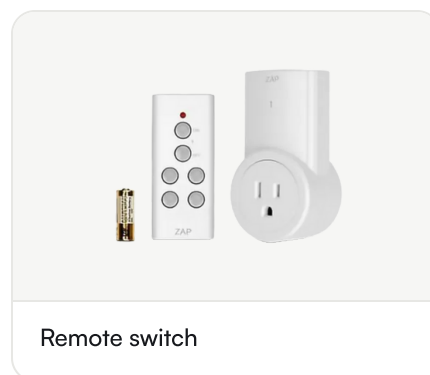
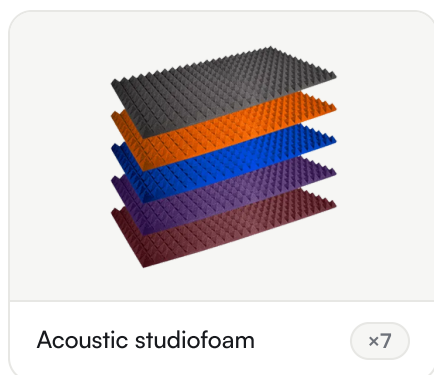
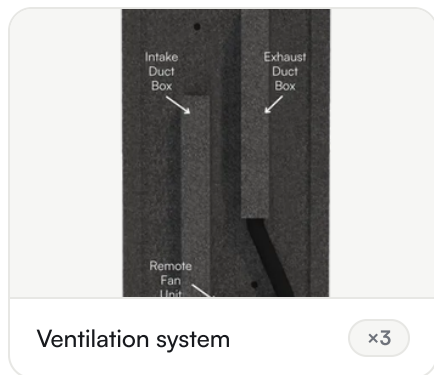
- Vent system protrudes 5.5"
- Allow 6" from host room walls
- Door swing: 30", opens outward

MDL 9696 S

SINGLE-WALL SOUND BOOTH | 8' x 8'

WhisperRoom®

04 Basic Features (Included)



Options & Accessories

SOLD SEPARATELY

INTERIOR UPGRADES

- Studio light
- Audimute acoustic panels
- Acoustic package
- LENRD bass traps

STRUCTURAL MODS

- 10" height extension
- Wall windows
- IEP floor

ACCESS & MOBILITY

- Caster plate
- Step
- Wide access door
- ADA package

VENTILATION UPGRADES

- HEPA filter
- Ventilation silencing system
- Exterior fan silencer

FUNCTIONAL ADD-ONS

- Multi jack panel
- Office desk

**Configure your booth
or request a quote.**

whisperroom.com