

6

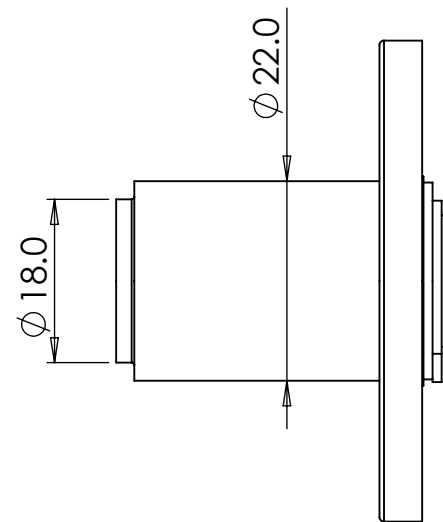
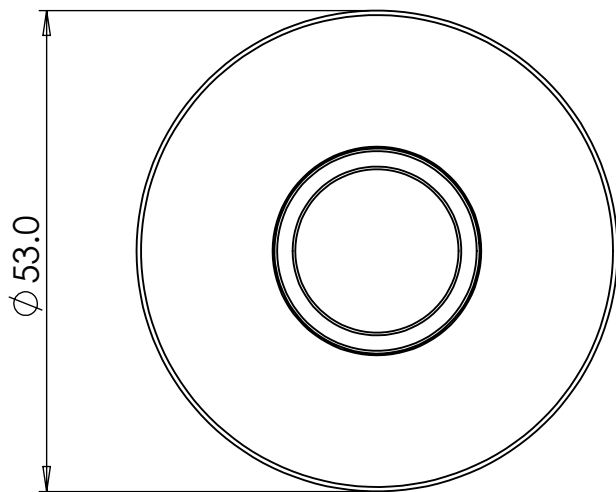
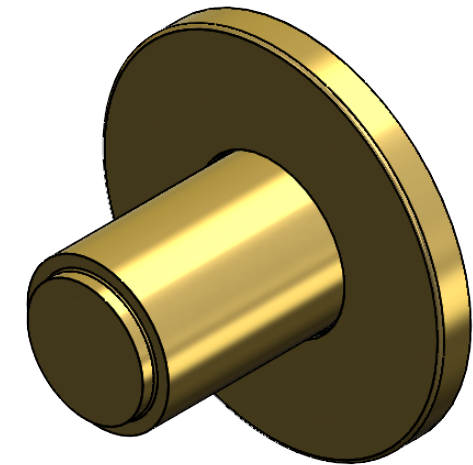
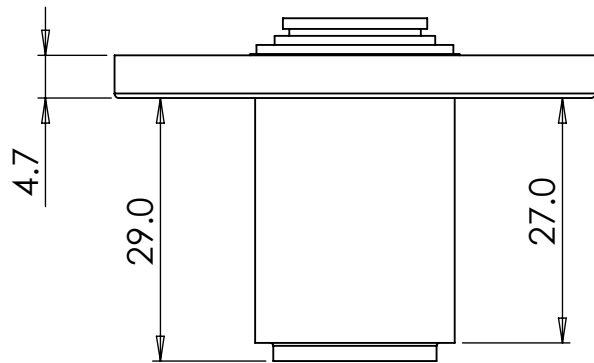
5


4

3

2

1



		FINISH:		Satin		DEBURR AND BREAK SHARP EDGES		DO NOT SCALE DRAWING		REVISION 1		
		DRAWN		NAME		SIGNATURE		DATE		Dortrend International Ltd		
DRAWN		P.Roberts				07/03/2025		Unless Otherwise Specified:		TITLE: Bathroom Turn: Blank		
CHK'D								Dimensions in mm				
APPV'D								Tolerances:		DWG NO. BathroomTurn		
								Linear: ±0.2 mm				
								Angular: ±0.5°		A4		
								MATERIAL:				
								Brass		SCALE:1.2:1		
								WEIGHT: 137 g		SHEET 1 OF 5		
										Dortrend International Ltd		

6

5

4

3

2

1

D

C

B

A

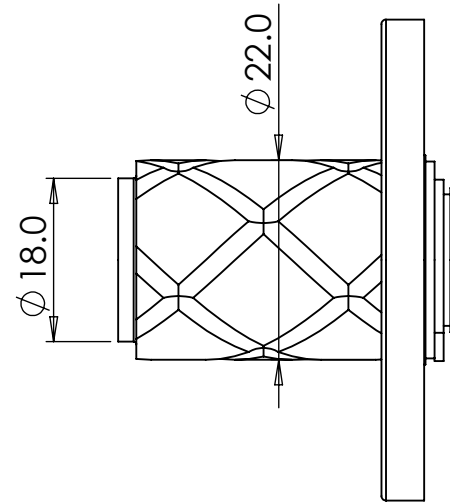
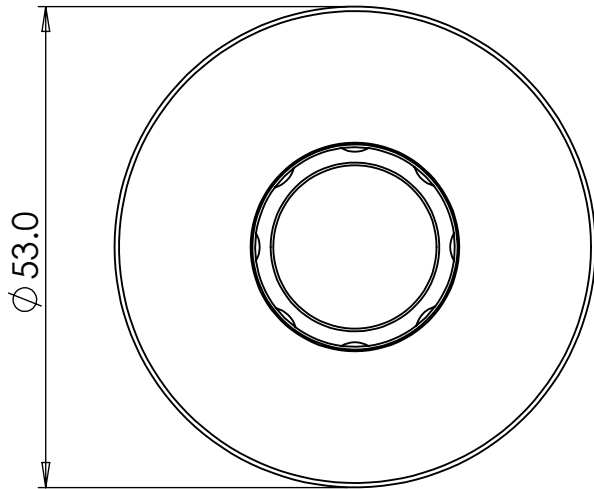
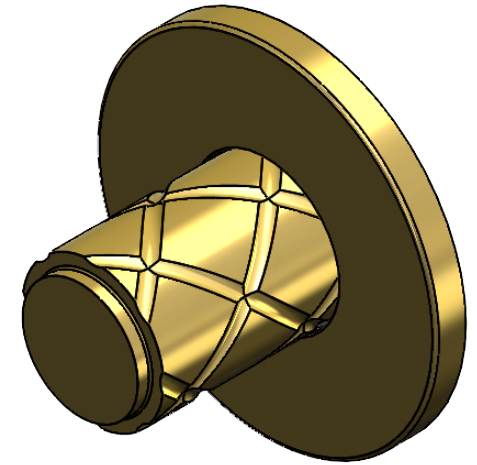
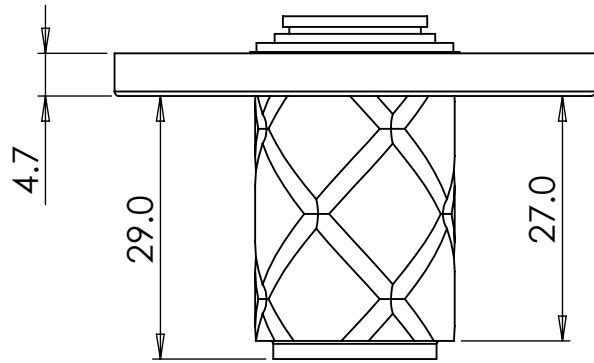
D

C

B


A

6 5 4 3 2 1



D
C
B
A

D
C
B
A

		FINISH:		Satin		DEBURR AND BREAK SHARP EDGES		DO NOT SCALE DRAWING		REVISION 1	
		DRAWN		SIGNATURE		DATE		IF IN DOUBT, ASK		Dortrend International Ltd	
DRAWN		P.Roberts				07/03/2025		Unless Otherwise Specified:		TITLE: Bathroom Turn: Diamond-Spiral Pattern	
CHK'D								Dimensions in mm			
APPV'D								Tolerances:		DWG NO. BathroomTurn	
								Linear: ± 0.2 mm			
Dortrend International Ltd 86A Blackpole Trading Estate West Worcester WR3 8TJ						MATERIAL:		Brass		SCALE: 1:2:1	
						WEIGHT: 135 g					

6 5 4 3 2 1

A

A

6

5

4

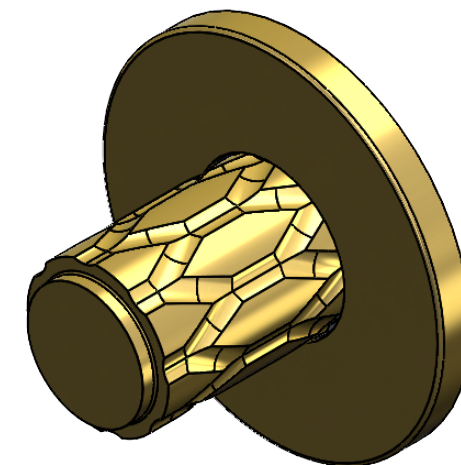
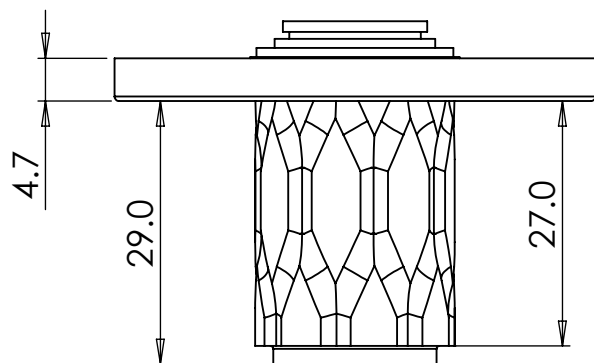
3

2

1

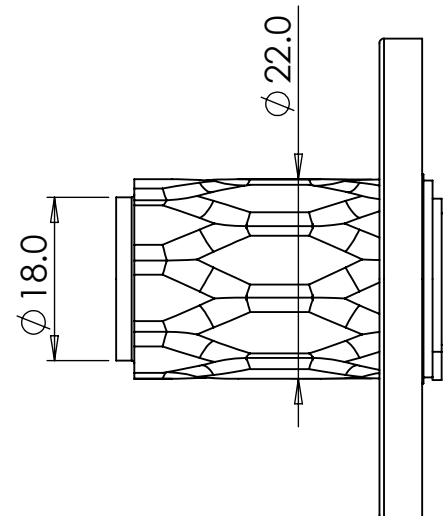
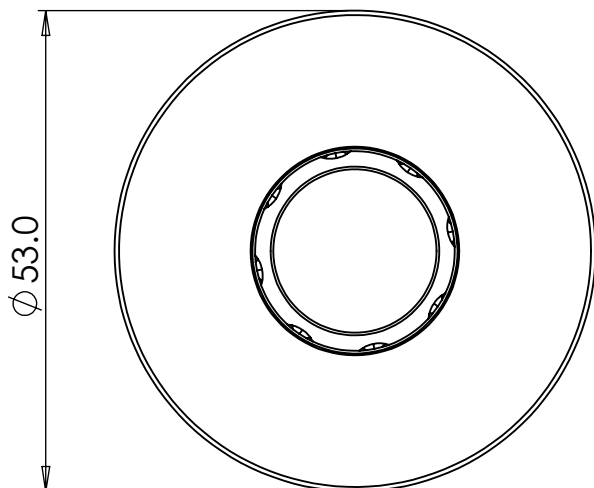
D

D



C

C




B

B

A

A

		FINISH:		Satin		DEBURR AND BREAK SHARP EDGES		DO NOT SCALE DRAWING		REVISION 1	
						IF IN DOUBT, ASK		Dortrend International Ltd			
DRAWN		NAME		SIGNATURE		DATE		Unless Otherwise Specified:			
CHK'D		P.Roberts				07/03/2025		Dimensions in mm			
APPVD								Tolerances:			
								Linear: ±0.2 mm			
								Angular: ±0.5°			
								MATERIAL:		TITLE:	
								Brass		Bathroom Turn: Hexagon Pattern	
								WEIGHT: 134 g		DWG NO.	
										BathroomTurn	
								SCALE: 1.2:1		SHEET 3 OF 5	
										A4	

6

5

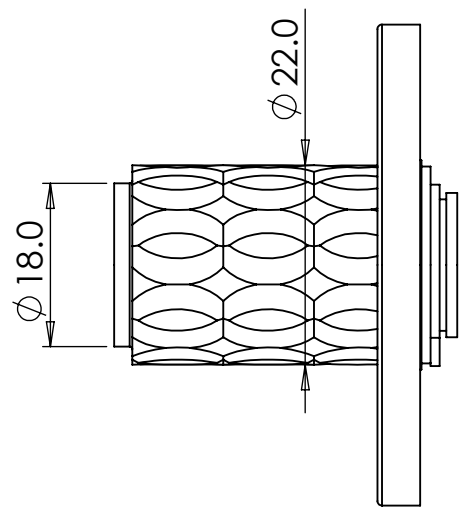
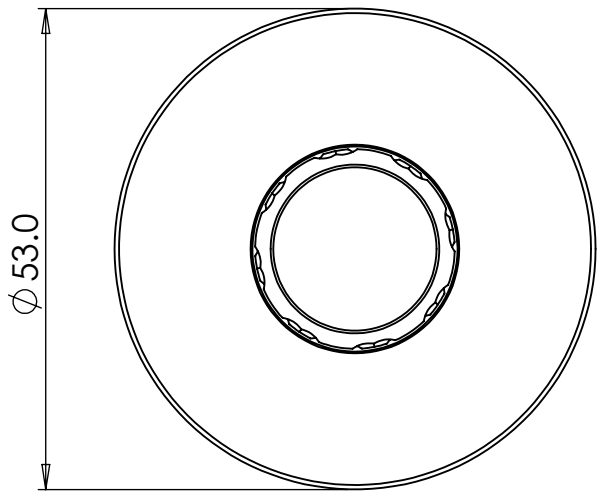
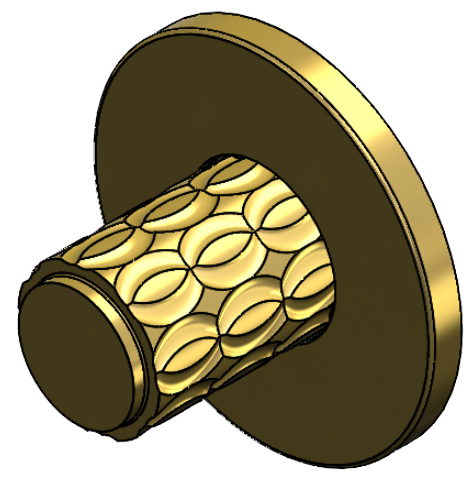
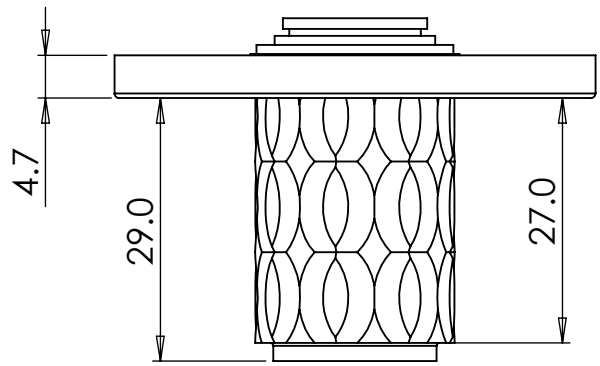
4

3

2

1

6 5 4 3 2 1



D

D

C


C

B

B

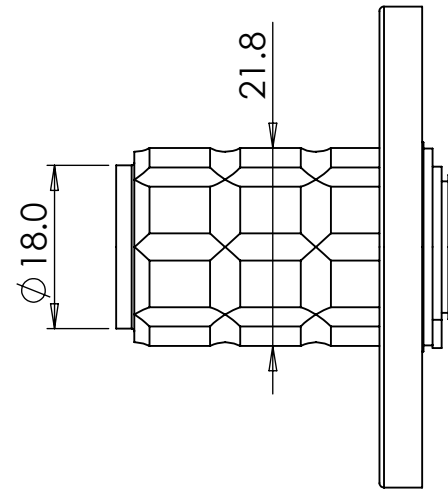
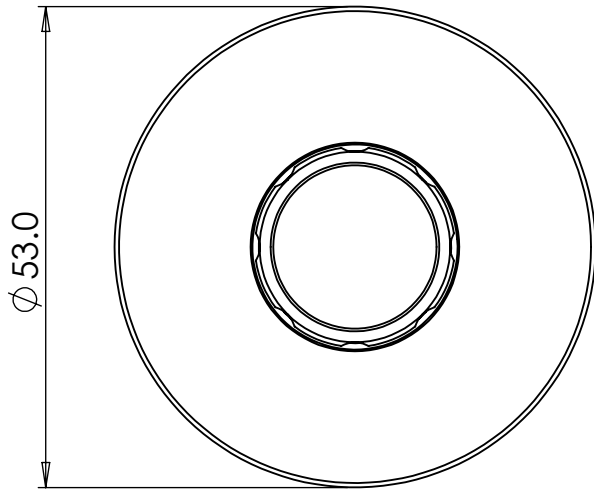
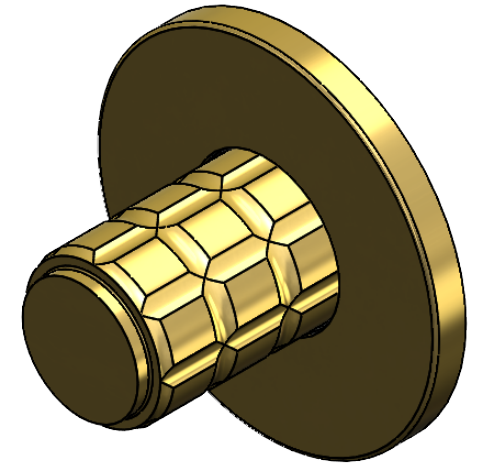
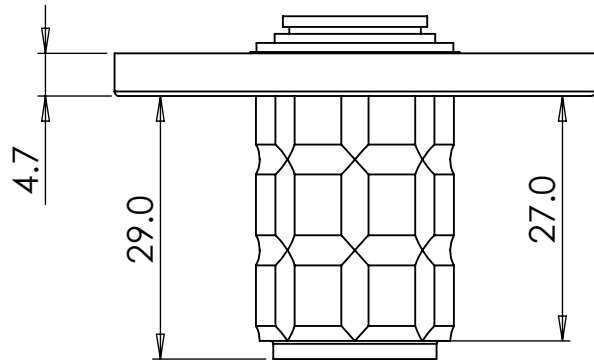
A

A

		FINISH:		Satin		DEBURR AND BREAK SHARP EDGES		DO NOT SCALE DRAWING		REVISION 1	
		Unless Otherwise Specified: Dimensions in mm Tolerances: Linear: ±0.2 mm Angular: ±0.5°		MATERIAL: Brass		WEIGHT: 133 g		DORTREND INTERNATIONAL LTD DO NOT SCALE DRAWING REVISION 1 TITLE: Bathroom Turn: Oval Pattern DWG NO. BathroomTurn A4			
DRAWN P.Roberts CHK'D APPVD		NAME P.Roberts		SIGNATURE		DATE 07/03/2025		DORTREND INTERNATIONAL LTD 86A Blackpole Trading Estate West Worcester WR3 8TJ			
								SCALE: 1.2:1 SHEET 4 OF 5			


6 5 4 3 2 1

6 5 4 3 2 1



D
C
B
A

D
C
B
A

		FINISH:		DEBURR AND BREAK SHARP EDGES IF IN DOUBT, ASK	DO NOT SCALE DRAWING		REVISION 1		
		Satin			Dortrend International Ltd				
DRAWN		NAME	SIGNATURE	DATE	Unless Otherwise Specified: Dimensions in mm Tolerances: Linear: ±0.2 mm Angular: ±0.5°		TITLE:		
CHK'D		P.Roberts		07/03/2025			Bathroom Turn: Rectangle Pattern		
APPV'D									DWG NO. BathroomTurn
Dortrend International Ltd 86A Blackpole Trading Estate West Worcester WR3 8TJ				MATERIAL:		SCALE: 1:2:1		SHEET 5 OF 5	
				WEIGHT: 137 g		A4			

6 5 4 3 2 1