

**NAME:**

BLOOM & GRASS

**DESCRIPTION:**

Bloom: Blend of natural fibers and flower petals

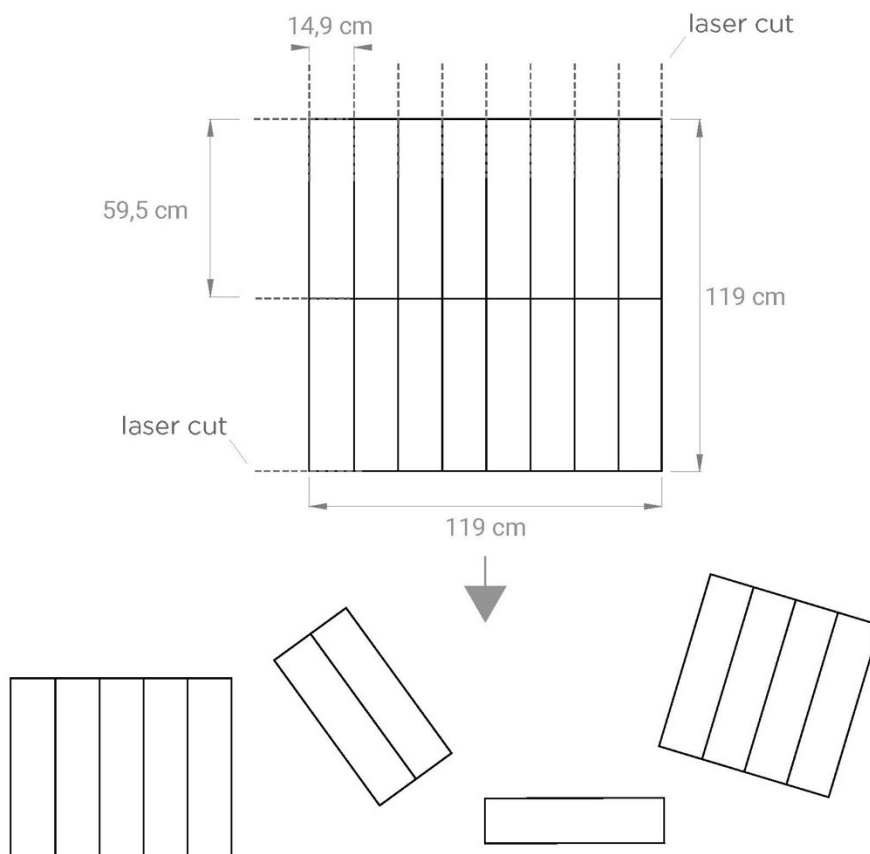
Grass: Blend of natural fibers and blades of grass

**APPLICATION:**

See panel instructions:

- Wall with velcro
- Ceiling with velcro

*Bloom&Grass are two finishes from the Slalom range, applicable to thermoformed and Tailor Made panels. Below are some of the sections and geometries that can be used.*



**DIMENSIONS:**

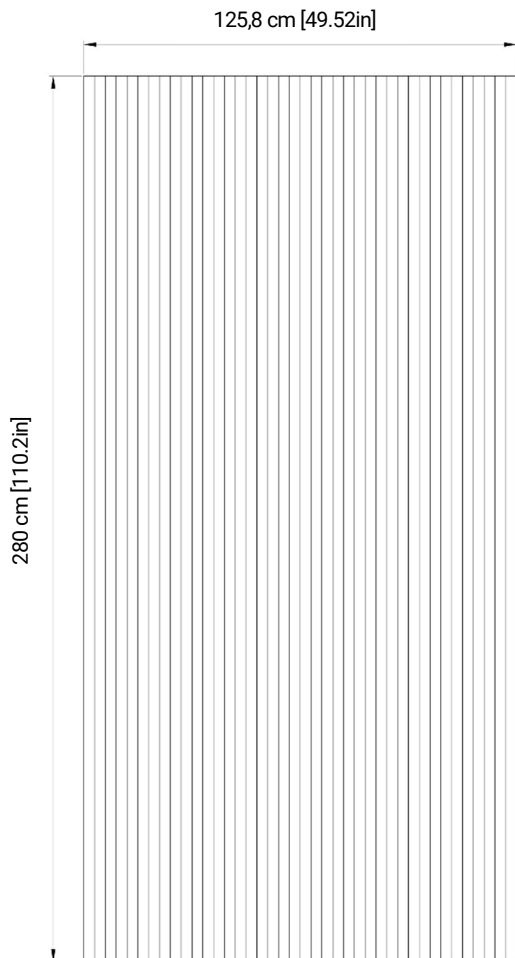
- L 14,9 | 29,8 | 44,7 | 59,5 | 119 x H 14,9 | 29,8 | 44,7 | 59,5 | 119 x THK 2 cm
- L 5.9 | 11.7 | 17.6 | 23.4 | 46.8 x H 5.9 | 11.7 | 17.6 | 23.4 | 46.8 x THK 0.79 in

NOTE: *Panels may have differences in thickness due to the type of material*

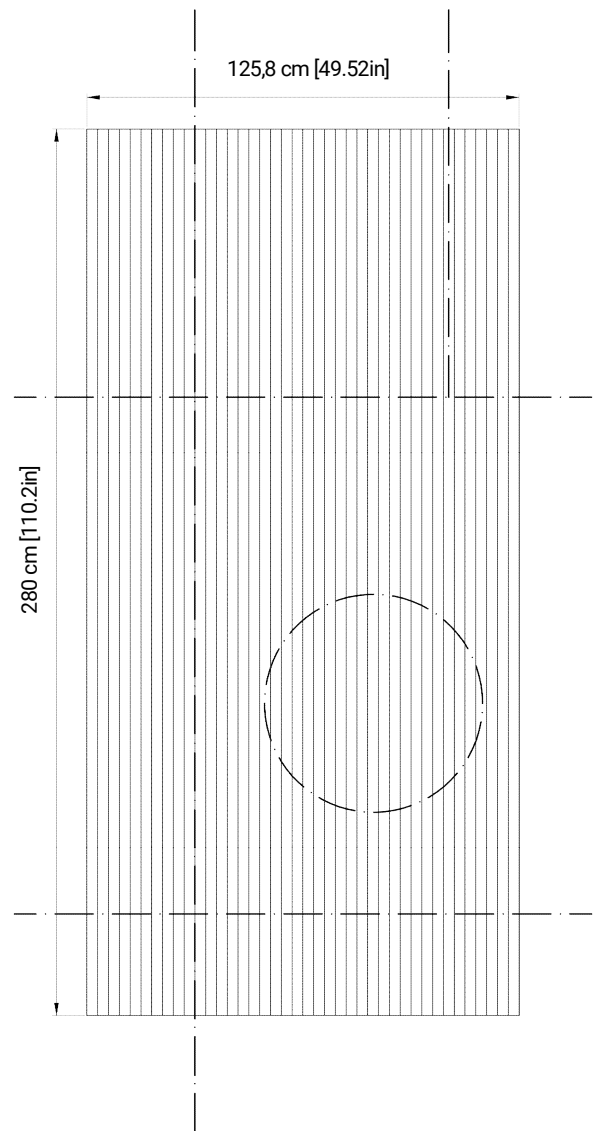
**WEIGHT:**

- 2,59 Kg/m<sup>2</sup>
- 0.59 lb/ft<sup>2</sup>

**STANDARD DIMENSIONS:**



**CUSTOMIZED CUT:**



**DIMENSIONS:**

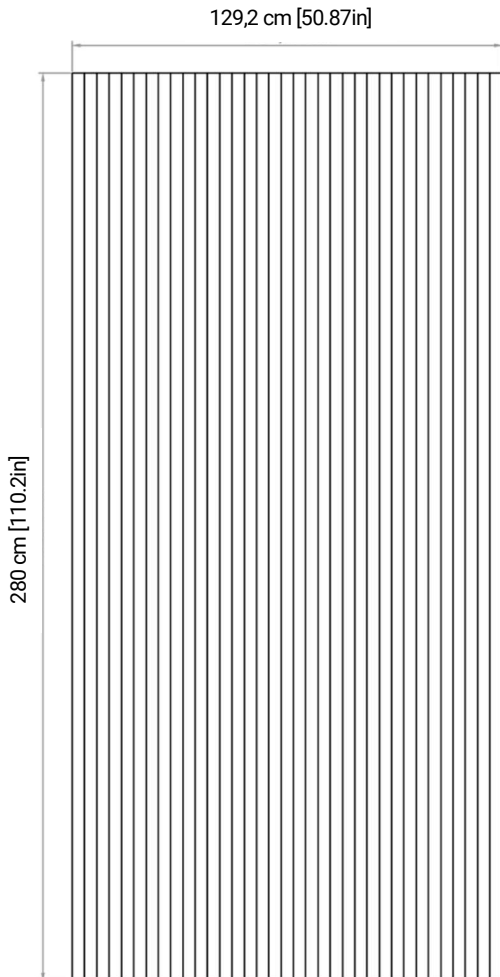
Standard: L **125,8** x H **280** x  $\pm$  SP **1** cm - L **49.52** x H **110.2** x THK **0.43** in

CUSTOM: *Laser cuts can be made with customized dimensions*

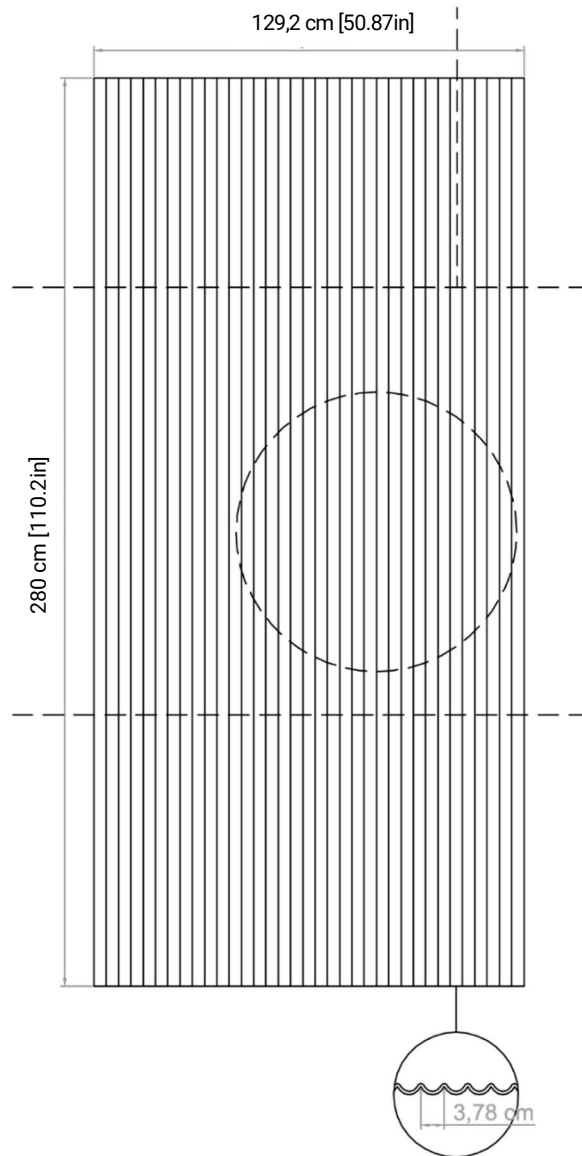
**WEIGHT:**

- **2,5** Kg/m<sup>2</sup>
- **0.51** lb/ft<sup>2</sup>

## STANDARD DIMENSIONS:



## CUSTOMIZED CUT:



## DIMENSIONS:

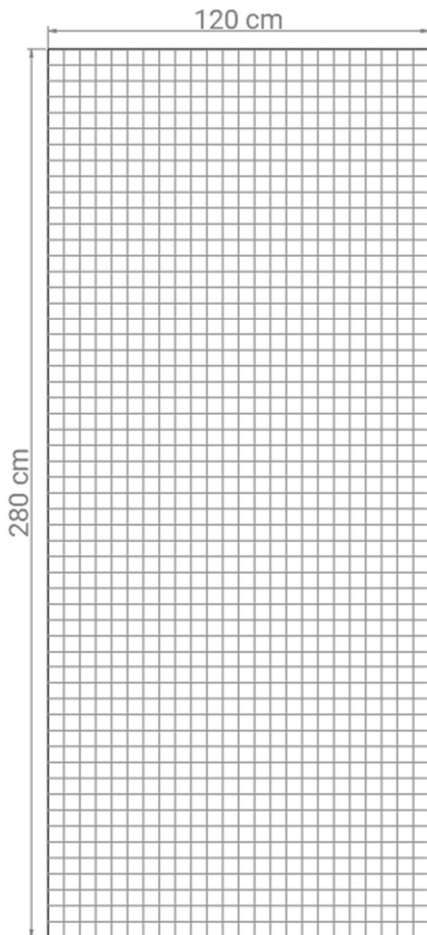
Standard: L **129,2** x H **280** x  $\pm$  SP **1,2** cm - L **50.87** x H **110.2** x THK **0.47** in

CUSTOM: *Laser cuts can be made with customized dimensions*

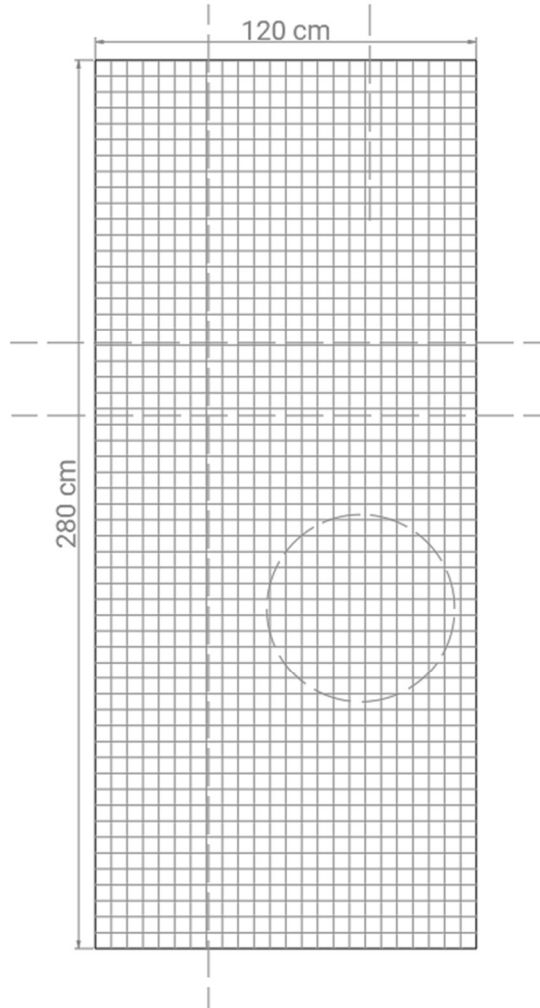
## WEIGHT:

- **2,5** Kg/m<sup>2</sup>
- **0.51** lb/ft<sup>2</sup>

## STANDARD DIMENSIONS:



## CUSTOMIZED CUT:



## DIMENSIONS:

Standard: L 120 x H 280 x  $\pm$  SP 1 cm - L 47.25 x H 110.2 x THK 0.43 in

CUSTOM: Laser cuts can be made with customized dimensions

## WEIGHT:

- 2,5 Kg/m<sup>2</sup>
- 0.51 lb/ft<sup>2</sup>

## COMPOSITION:

- Soul: sound absorbing material made of 100% recycled material, polyester fibers
- Natural fiber finishes: 75% flax, 25% viscose
  - **Bloom:**  
Petals of daisies, roses, cornflowers, heather, lavender, sunflowers, and hay
  - **Grass:**  
Hay and blades of grass

## MAINTENANCE:

This cladding made of real natural fibers is practically maintenance-free.  
If necessary:

- Vacuum gently using low pressure
- Delicate surfaces: wipe with a damp cloth
- Medium and light surfaces: clean gently with a dry, lint-free cloth
- Avoid rough brushes, aggressive detergents, and chemicals

*For information regarding recyclability, please refer to the individual product data sheets and documents.*

**CERTIFICATIONS:**

• **FIRE REACTION CLASS:**

*Coming soon*



• **GREEN LABELS:**

*Climate partner*

• **SOUND ABSORPTION REPORT:**

UNI EN ISO 354: 2003

UNI EN ISO 11654: 1998



**Bloom&Grass | ECOwall:**

Elemento in prova <i>Tested element</i>	<b>Pannelli mod. BLOOM</b> <b>Panels mod. BLOOM</b>
Descrizione del campione <i>Sample description</i>	Vedere § "Descrizione del campione in prova" del presente Report. Montaggio tipo A secondo EN 354 / See § "Tested sample description" of this Report. Type A mounting according to EN 354
Superficie del campione <i>Sample surface</i>	10,50 ± 0,01 m <sup>2</sup>

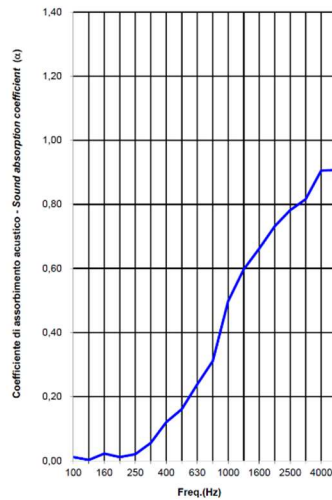
Freq. [Hz]	T <sub>1</sub> [sec]	T <sub>2</sub> [sec]	α <sub>s</sub>	U(α <sub>s</sub> )	α <sub>P</sub>	U(α <sub>P</sub> )
100	5,65	5,40	0,02	0,03	0,05	-
125	5,86	5,48	0,03	0,03		
160	7,24	6,59	0,04	0,02		
200	6,90	5,96	0,07	0,03	0,10	0,03
250	6,61	5,36	0,10	0,03		
315	7,03	5,36	0,13	0,03		
400	7,66	4,83	0,22	0,03	0,35	0,05
500	7,50	4,09	0,33	0,04		
630	6,98	3,43	0,43	0,04		
800	6,43	2,77	0,60	0,05	0,70	0,05
1000	6,05	2,47	0,70	0,05		
1250	5,69	2,32	0,75	0,06		
1600	5,19	2,14	0,81	0,06	0,85	0,05
2000	4,61	2,01	0,83	0,06		
2500	3,99	1,86	0,84	0,06		
3150	3,16	1,63	0,87	0,07	0,85	0,06
4000	2,66	1,51	0,84	0,08		
5000	2,08	1,31	0,82	0,10		

**α<sub>w</sub> = 0,35 (M,H) ± 0,04**  
**K = 2,00 – 95%**  
**NRC = 0,48**

**Bloom&Grass | Millerighe:**

Elemento in prova Tested element	<b>MILLERIGHE BLOOM &amp; GRASS</b>
Descrizione del campione Sample description	Vedere § "Descrizione del campione in prova" del presente Report. Montaggio tipo A secondo EN 354 / See § "Tested sample description" of this Report. Type A mounting according to EN 354
Superficie del campione Sample surface	10,50 ± 0,01 m <sup>2</sup>

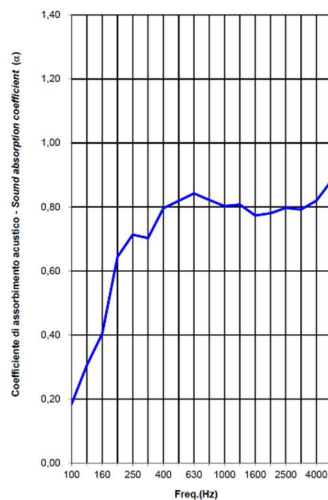
Freq. [Hz]	T <sub>1</sub> [sec]	T <sub>2</sub> [sec]	α <sub>s</sub>	U(α <sub>s</sub> )	α <sub>p</sub>	U(α <sub>p</sub> )
100	5,98	5,82	0,01	0,02	0,00	-
125	6,75	6,70	0,00	0,02		
160	7,87	7,41	0,02	0,02		
200	7,81	7,56	0,01	0,02		
250	7,17	6,78	0,02	0,02	0,05	0,02
315	8,10	6,95	0,06	0,02		
400	8,54	6,23	0,12	0,03	0,15	0,05
500	8,29	5,60	0,16	0,03		
630	7,71	4,66	0,24	0,03		
800	6,91	3,93	0,31	0,03	0,45	0,05
1000	6,40	3,05	0,50	0,04		
1250	5,80	2,66	0,60	0,05	0,75	0,05
1600	5,05	2,38	0,66	0,05		
2000	4,41	2,15	0,73	0,06	0,90	0,06
2500	3,73	1,95	0,78	0,06		
3150	2,75	1,65	0,82	0,07	0,90	0,06
4000	2,22	1,44	0,91	0,08		
5000	1,62	1,21	0,91	0,10		
<b>α<sub>w</sub> = 0,25 (H) ± 0,04</b> <b>K = 2,00 - 95%</b> <b>NRC = 0,35 (**)</b>						



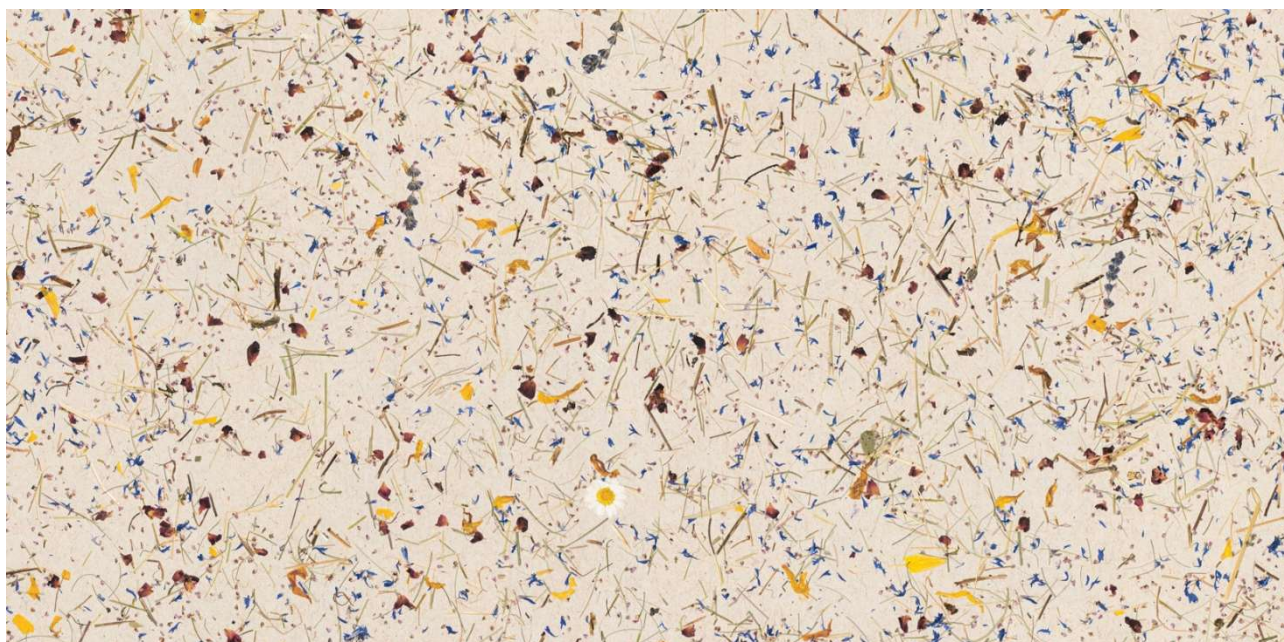
**Bloom&Grass | Millerighe + 40 mm polyester mattress**

Elemento in prova Tested element	<b>MILLERIGHE BLOOM &amp; GRASS +40</b>
Descrizione del campione Sample description	Vedere § "Descrizione del campione in prova" del presente Report. Montaggio tipo A secondo EN 354 / See § "Tested sample description" of this Report. Type A mounting according to EN 354
Superficie del campione Sample surface	10,50 ± 0,01 m <sup>2</sup>

Freq. [Hz]	T <sub>1</sub> [sec]	T <sub>2</sub> [sec]	α <sub>s</sub>	U(α <sub>s</sub> )	α <sub>p</sub>	U(α <sub>p</sub> )
100	5,98	4,33	0,18	0,07	0,30	-
125	6,75	3,96	0,31	0,08		
160	7,87	3,78	0,40	0,09		
200	7,81	2,88	0,64	0,10	0,70	0,07
250	7,17	2,61	0,71	0,10		
315	8,10	2,74	0,70	0,08	0,80	0,05
400	8,54	2,56	0,80	0,08		
500	8,29	2,48	0,82	0,07		
630	7,71	2,38	0,84	0,06	0,80	0,05
800	6,91	2,34	0,82	0,06		
1000	6,40	2,31	0,80	0,06	0,80	0,05
1250	5,80	2,23	0,81	0,06		
1600	5,05	2,18	0,77	0,06	0,80	0,05
2000	4,41	2,07	0,78	0,06		
2500	3,73	1,93	0,80	0,06	0,85	0,06
3150	2,75	1,68	0,79	0,07		
4000	2,22	1,50	0,82	0,08		
5000	1,62	1,22	0,88	0,10		
<b>α<sub>w</sub> = 0,80 ± 0,04</b> <b>K = 2,00 - 95%</b> <b>NRC = 0,80 (**)</b>						



**BLOOM:**



**GRASS:**

