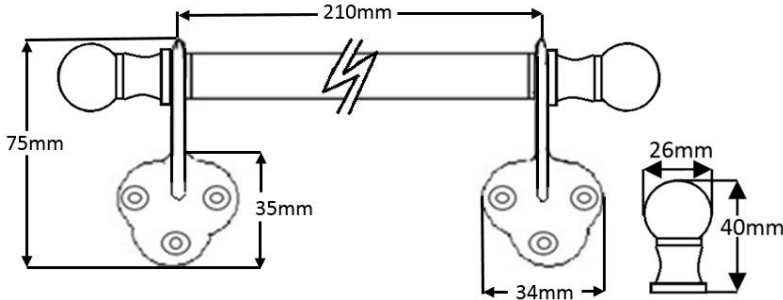


# Sash Lifts and Eyes

Traditional					
Hardware					
<b>DIRECT</b>					

## Traditional Victorian Sash Bars

### THD147B Victorian Sash Bar 210mm with Brass Ball Ends



**THD147B**

### Finishes Available



## Specification

Material : Brass  
 Weight : 409 grams inc screws  
 Size Between the Feet : 210mm  
 Overall Length : 290mm  
 Height of Product : 75mm  
 Size of the Feet : 34mm x 35mm  
 Sold as : Each  
 With Screws : 6 no. 3/4" x 4 E.B.  
 Steel Raised Countersunk  
 Slotted W/S  
 Inner Box Quantity : 2  
 Outer Box Quantity : 20

Part No.	Description	Finish
THD147B/PB	Victorian Sash Bar with Brass Ball Ends – 210mm	Polished Brass
THD147B/SB	Victorian Sash Bar with Brass Ball Ends – 210mm	Satin Brass
THD147B/CP	Victorian Sash Bar with Brass Ball Ends – 210mm	Chrome Plated
THD147B/SCP	Victorian Sash Bar with Brass Ball Ends – 210mm	Satin Chrome Plated
THD147B/SNP	Victorian Sash Bar with Brass Ball Ends – 210mm	Satin Nickel Plated
THD147B/AB	Victorian Sash Bar with Brass Ball Ends – 210mm	Antique Brass

NOTE : This product is made from Brass Tube and Cast Brass and manufactured using the Traditional Sand Cast method. A Threaded Steel Bar is fitted to hold the product together.  
 The items requiring a Lacquer protection are protected using the Electrophoretically Lacquered process giving a very attractive long-lasting product.  
 Traditional Hardware Direct will Guarantee the product against product failure due to manufacturing defects under normal usage for a period of 10 years from the date of purchase (for further information see our website).  
 When cleaning the product, use a cloth soaked in warm soapy water and dry off using a clean dry cloth – Do not use any chemical cleaners as this will harm the product and will break down the lacquer and tarnish the product.  
 Due to the nature of the manufacturing process, a tolerance of + / - 5 % must be allowed on the weight and dimensions given on this product

**For further information Call Sales on 01254 773945 or visit  
 our website : [www.traditionalhardwaredirect.com](http://www.traditionalhardwaredirect.com)**