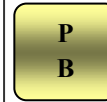
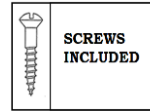


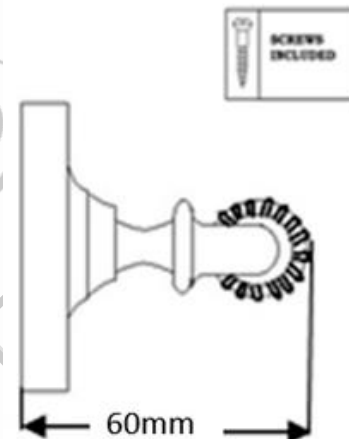
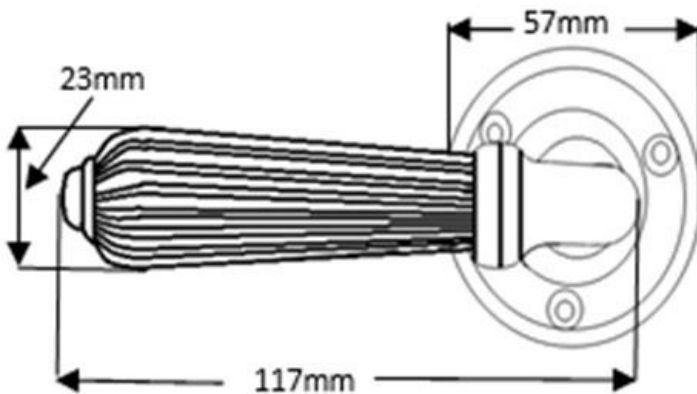
PDF1020 Escalope Lever on a Round Rose Latch Set
(Sold as a Pair) Solid Brass - Un-sprung



Specification

Material : Cast Brass
 Weight of each Lever: 259 grams per Lever & Backplate
 Length of the Lever : 117mm
 Height of the Lever : 23mm
 Projection of the Lever : 60mm
 DIA of the Backplate : 57mm
 Sold as : A Pair
 Spindle 90mm x 8mm
 Screws : 6 x Number 25mm x 4 Coloured Raised Head, Countersunk, Slotted, Steel Screws
 Inner Box Quantity : 1 Set
 Outer Box Quantity : 10 Sets

PDF1020



Part No.	Description	Finish
PDF1020/PB PDF1020/CP PDF1020/AB PDF1020/SNP	Escalope Round Rose Lever Latch Set Escalope Round Rose Lever Latch Set Escalope Round Rose Lever Latch Set Escalope Round Rose Lever Latch Set	Polished Brass Chrome Plated Antique Brass Satin Nickel Plated

Note : Due to the nature of the manufacturing process, a tolerance of + /- 5 % must be allowed on the weight and dimensions given on this product

Call Sales on 01254 773945