

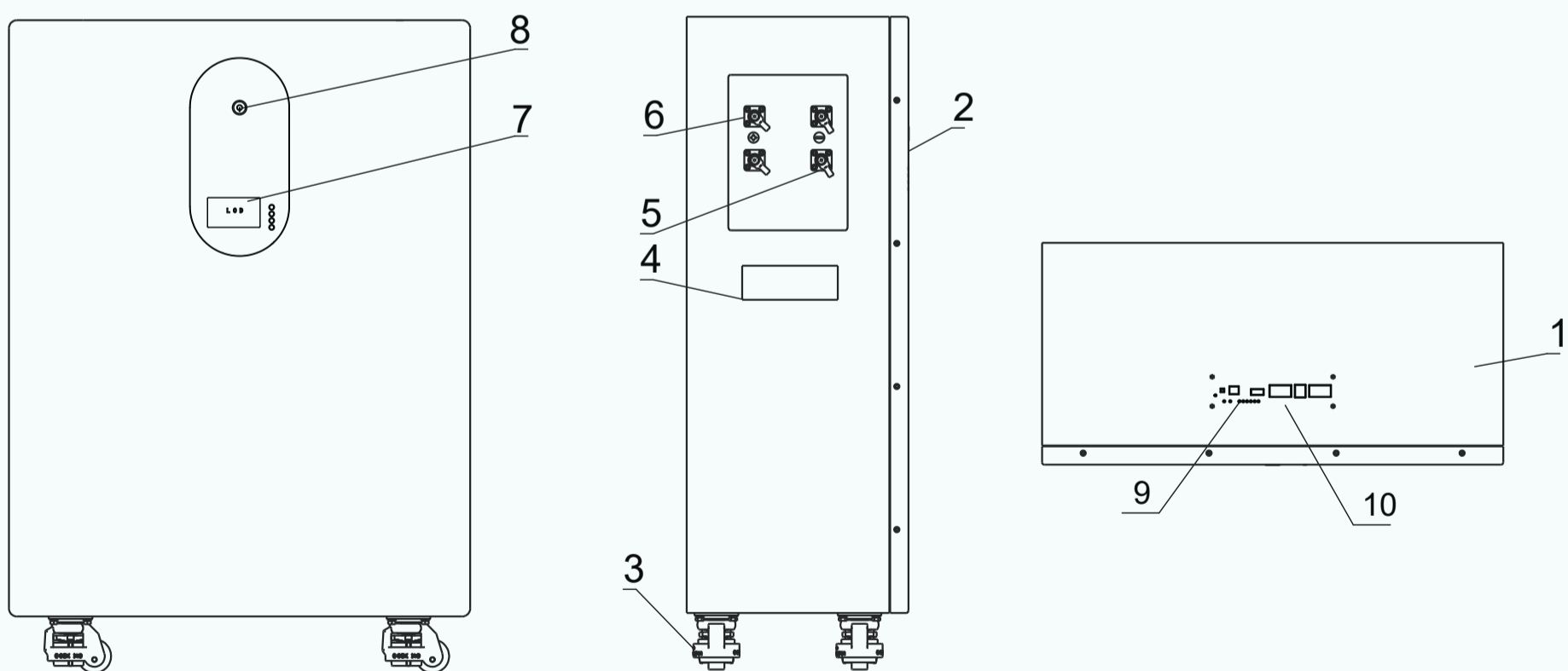
51.2V Energy Storage LiFePO₄ Battery

Features

- ◆ LCD monitor the energy storage power data and operating status.
- ◆ High-quality LiFePO₄ battery, safety, deep cycle and long lifespan.
- ◆ Metal shell, waterproof and explosion-proof.
- ◆ External main switch to reduce product power consumption and improve safety.
- ◆ The mobile bottom wheel can meet the installation and use of different places.
- ◆ BMS built inside, over-voltage, over-load, over-temperature protection, etc.
- ◆ Compatible, can be connected to different types of loads within the voltage range.
- ◆ Support up to 15 modules in parallel.



Structural parts description



1	Bottom plate	6	M6 Positive Terminal(2PCS)
2	Front plate	7	LCD display
3	Wheel	8	ON/OFF
4	Handle	9	Battery indicator
5	M6 Negative Terminal(2PCS)	10	RS485/CAN

51.2V Energy Storage LiFePO₄ Battery

Parameters

Model	M16S100BL-F	M16S200BL-F	M16S280BL-F	
Basic Characteristics	Nominal Voltage	51.2V	51.2V	51.2V
	Nominal Capacity	100Ah	200Ah	280Ah
	Efficiency	≥96%	≥96%	≥96%
	Inner Resistance	50mΩ	50mΩ	50mΩ
	Cell Type	LiFePO ₄	LiFePO ₄	LiFePO ₄
Charging Characteristics	Charge Voltage	58.4V	58.4V	58.4V
	Standard Charging Current	20A	40A	50A
	Max.Continuous Charging Current	100A	100A	100A
Discharge Characteristics	Standard Discharge Current	20A	40A	50A
	Continuous Discharge Current	100A	100A	100A
	Peak Discharge Current	200A(3S)	200A(3S)	200A(3S)
	Discharge Cut-off Voltage	42V	42V	42V
Environmental Requirements	Charge Temperature Range	0~60°C	0~60°C	0~60°C
	Discharge Temperature Range	-10°C~65°C	-10°C~65°C	-10°C~65°C
	Storage Temperature Range	-5~40°C	-5~40°C	-5~40°C
	Storage Humidity	65±20%HR	65±20%HR	65±20%HR
Mechanical Characteristics	Size(LxWxH)	630×440×176mm	760×450×207mm	580×750×279mm
	Package Size (L×W×H)	670×525×240mm	830×525×425mm	750×910×495mm
	Shell Material	SPCC	SPCC	SPCC
	Net Weight	44kg	89kg	113kg
	Gross Weight	46kg	102kg	128kg
	Package Method	1pcs per carton	1pcs per carton	1pcs per carton
Others Characteristics	Cycle Life	≥6000 times	≥6000 times	≥6000 times
	Self Discharge	2% per month	2% per month	2% per month
	SOC Indication	LED Light& LCD Screen	LED Light& LCD Screen	LED Light& LCD Screen
	Communication Protocol	RS232/RS485/CAN	RS232/RS485/CAN	RS232/RS485/CAN
	Matching Inverter	Growatt, Goodwe, Deye, Luxpower, SRNE etc		

Product application diagram

