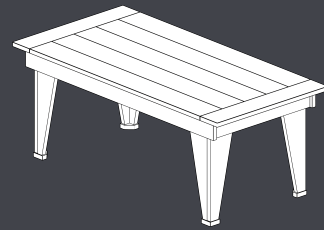


R V O

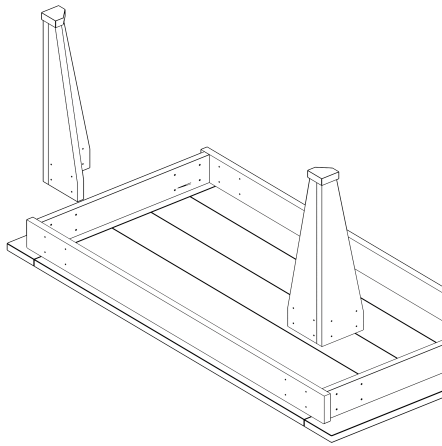
PRODUCT

Assembly instructions "Modern Coffee table"

Hardware List: 32 screws

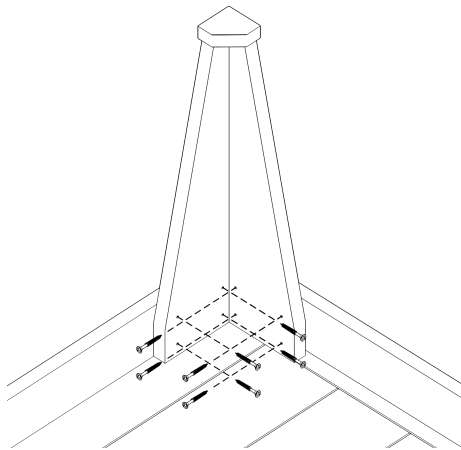


Step 1



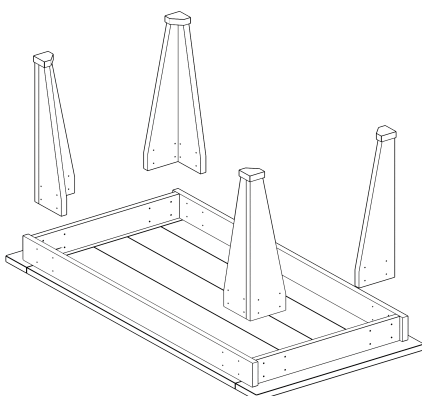
Flip table top over.

Step 2



Screw in 8 screws per leg following the predrilled holes.

Step 3



Repeat for each leg.