

UHF CB Smart Antenna

Smarter Design. Quality Assured. Performance Guaranteed.

Zetifi Smart Antennas are built differently. Patented Smart Antenna technology extends coverage across city and rural zones with fewer signal drops. Data-driven RF design and extensive real-world testing deliver clearer signals and superior performance in both hilly and flat terrain.

Plus and Pro models integrate sensors and connectivity to capture millions of data points that continually improve tuning, pattern control and gain across the range.

Every Zetifi antenna shares the same design DNA, ensuring consistent performance and reliability no matter which model you choose.

Smart Antennas. Smarter Connections.

From dependable signals to full connectivity, there's a Smart Antenna to suit your needs:

CORE

Reliable, best-in-class performance & design

PLUS

Adds Bluetooth & Wi-Fi for local integrations

PRO

Adds LTE gateway for cloud platform integrations



Why Zetifi Stands Out.



Proven Performance – Patented Smart Antenna technology, vibration and IP69K tested



Clearer Signal – Optimised 3 dBi RF design for superior coverage in all terrain



Built Tough + Backed by Warranty – Heavy-duty spring, fibreglass whip, aluminium ferrule, 5-year warranty



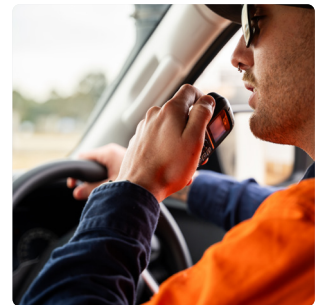
Better Design – Low reflection matte black finish; three radome heights for bull-bar, bonnet or roof mounts



Ready-to-Install Kits – Available antenna-only or complete kits with Icom UHF CB radios



Innovative Integrations – App-based radio control and SMS or cloud duress alarms (on supported Zetifi/Icom models)



Smart Antenna Size Options

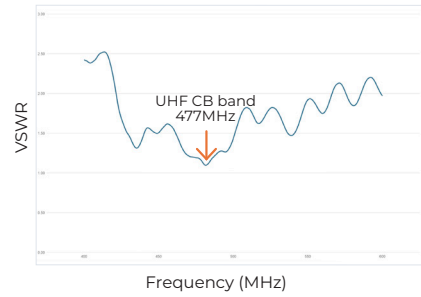


Radio Frequency Performance

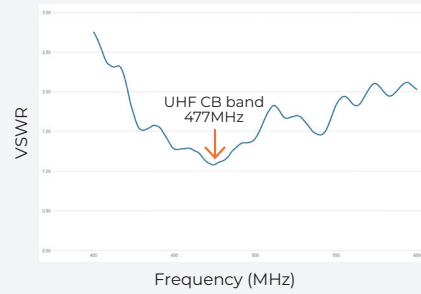
Nominal VSWR

VSWR tests completed with included 4360mm LMR195 coaxial extension cables.

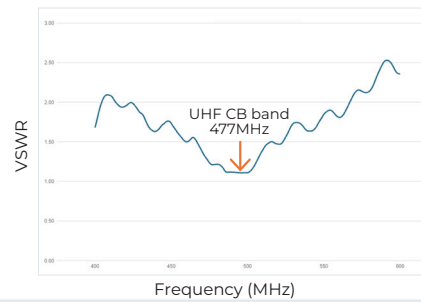
500mm (3dBi)



580mm (3dBi)

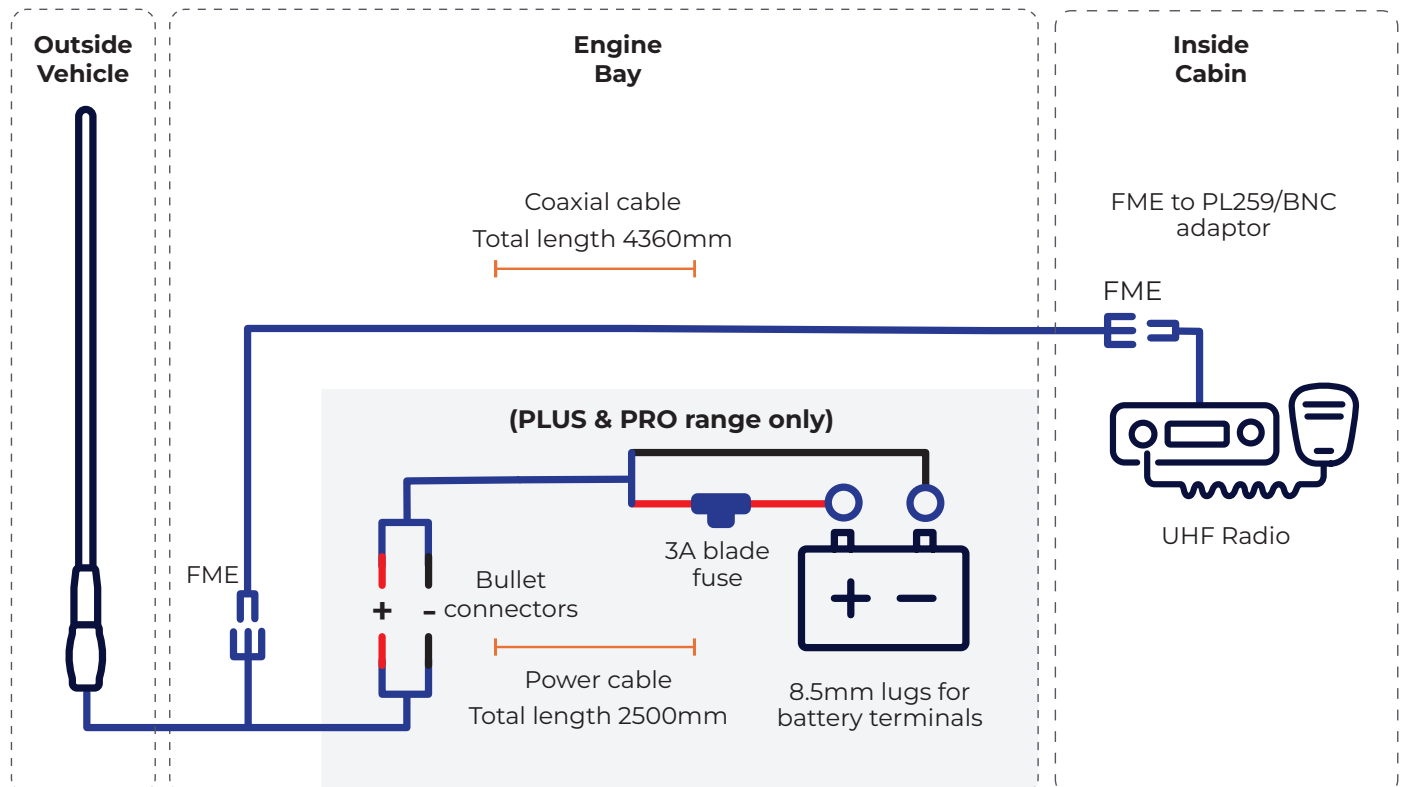


780mm (4dBi)



Wiring Diagram

Only the Plus and Pro range includes a power cable.



Smart Antenna Technical Specifications

	500mm	580mm	780mm
RF Performance			
Gain	3dBi	3dBi	4dBi
Frequencies	477MHz		
VSWR	1.2:1		
Mechanical			
Construction	Fibreglass whip with UHF PCB antenna element Steel ferrule		
	Heavy duty straight spring	Heavy duty bellied spring	
Mounting	M14 threaded stud & nut		
Dimensions	Height: 500mm Width: 33mm - antenna whip 39mm - spring 39mm - base	Height: 580mm Width: 33mm - antenna whip 56mm - spring 42mm - base	Height: 780mm Width: 33mm - antenna whip 56mm - spring 42mm - base
Coaxial cable	4360mm LMR195 low loss coax terminated to FME male		
Rating	IP69K		
Warranty	5 Year		
Smart Antenna PLUS Electronics	<ul style="list-style-type: none"> • Battery cable – 2500mm 16AWG DC cable with 3A blade fuse & 8.5mm lugs • Integrated BLE – Bluetooth Low Energy 5 radio with onboard low-gain antenna • Integrated Wi-Fi – 2.4GHz 802.11 b/g/n radio with onboard low-gain antenna • Integrated GNSS – L1 receiver for GPS, Galileo, BeiDou with onboard antenna 		
Smart Antenna PRO Electronics	<ul style="list-style-type: none"> • Battery cable – 4360mm 8 core UTP 24AWG cable with 3A blade fuse & 8.5mm lugs • Integrated BLE – Bluetooth Low Energy 5 radio with onboard low-gain antenna • Integrated Wi-Fi – 2.4GHz 802.11 b/g/n radio with onboard low-gain antenna • Integrated LTE - provided by Telit ME910G1-WW with onboard high-gain antenna • Integrated GNSS - provided by Telit ME910G1-WW with onboard high-gain antenna 		

Smart Antenna Pro (M1) - Additional Specifications

Field	Smart Antenna Pro (M1)
Cellular network	LTE-M (Cat-M1)
Cellular module	Telit ME310G1-WW
Supported cellular bands	B1, B2, B3, B4, B5, B8, B12, B13, B18, B19, B20, B25, B26, B27, B28, B66, B71, B85
SIM	Dual MFF2 SIM
GNSS	Integrated GNSS via LTE-M module (non-concurrent)
Location accuracy	Approx. 2-5 m CEP
Local connectivity	Bluetooth LE
Cabling and I/O	Single coax for UHF CB, plus 8-core cable for power +, power -, ignition sense, ignition signal, and 4 x GPIO. Two GPIO lines are required for Icom radio integration.

Zetifi Smart Antenna UHF CB Models

Smart Antenna	Product	Height	Gloss Black	With ICOM IC-455Z	Matte Black	With ICOM IC-455Z
Core	3dBi UHF CB	500mm	ANUA0203AU-01	ANUA0203AU-03	ANUA0204AU-01	ANUA0204AU-03
	3dBi UHF CB	580mm	ANUA0103AU-01	ANUA0103AU-03	ANUA0104AU-01	ANUA0104AU-03
	4dBi UHF CB	780mm	ANUA0101AU-01	ANUA0101AU-03	ANUA0102AU-01	ANUA0102AU-03
Plus	4dBi UHF CB	780mm	ANUA1101AU-01	ANUA1101AU-03	ANUA1102AU-01	ANUA1102AU-03
Pro	4dBi UHF CB	780mm	ANUA2101AU-01	ANUA2101AU-03	ANUA2102AU-01	ANUA2102AU-03



For more info visit zetifi.com/products/uhf-smart-antenna or call us on **1300 093 711**

Copyright © 2026 by Agsensio Pty Ltd ABN 98 621 129 244. Zetifi®, the Zetifi® logo, Connection Awaits®, ZetiCell®, ZetiNet®, Zeti® and ZetiRover® are trademarks of Agsensio Pty Ltd ABN 98 621 129 244. All rights reserved. All other trademarks or registered trademarks listed belong to their respective owners. All specifications subject to change without notice. MM46-AU-BRO-V2