

Type: EV, EV-1, & EVB
Voltage: 69kV-230kV
Amp (Cont.): All Ratings
3-Phase, Group Operated



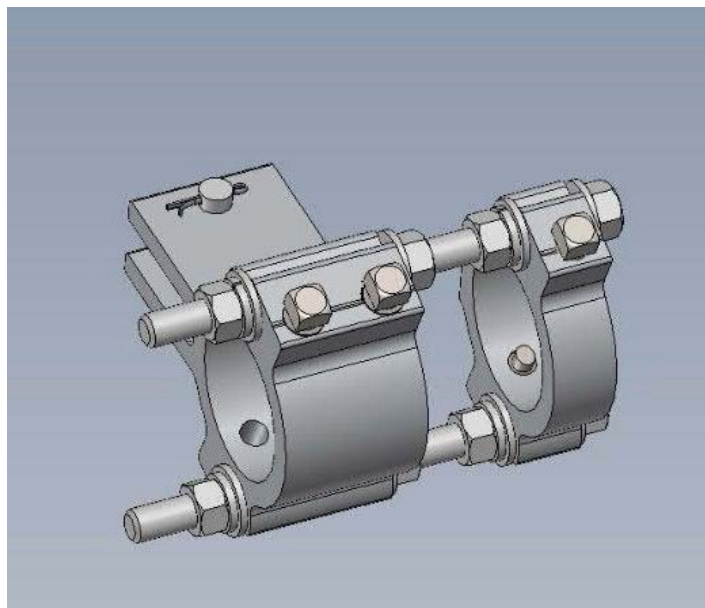
**Southern
States, Inc.**

Instruction Manual

The Quality Name In High Voltage Products

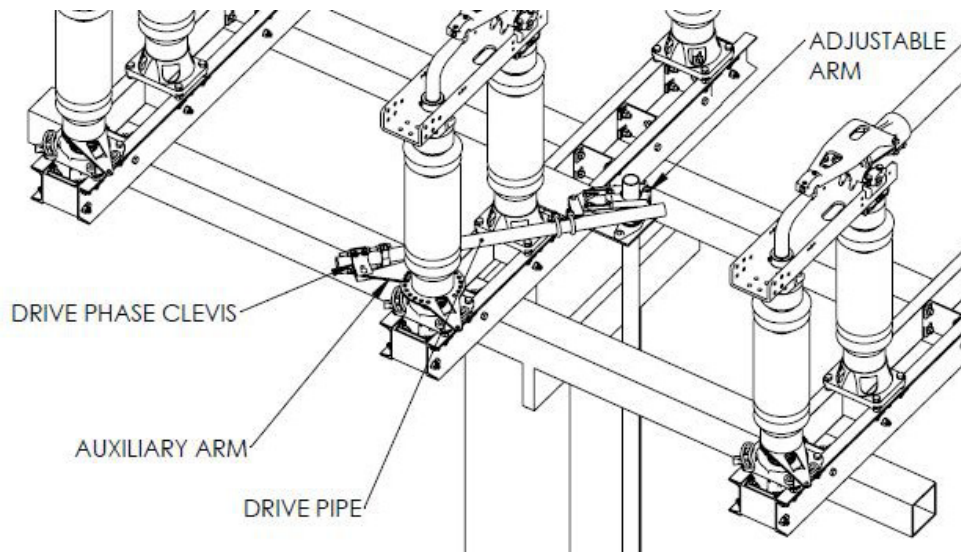
ATTENTION:

Southern States will begin supplying a portion of new operating mechanism designs with Rapid-Set clevises for orders designed after 9/1/23. If your Operating Mechanism print calls for Rapid-Set clevises (see image below for an example), please utilize the instructions on the following pages for all linkage adjustments. If not, please adhere to the standard instructions provided.



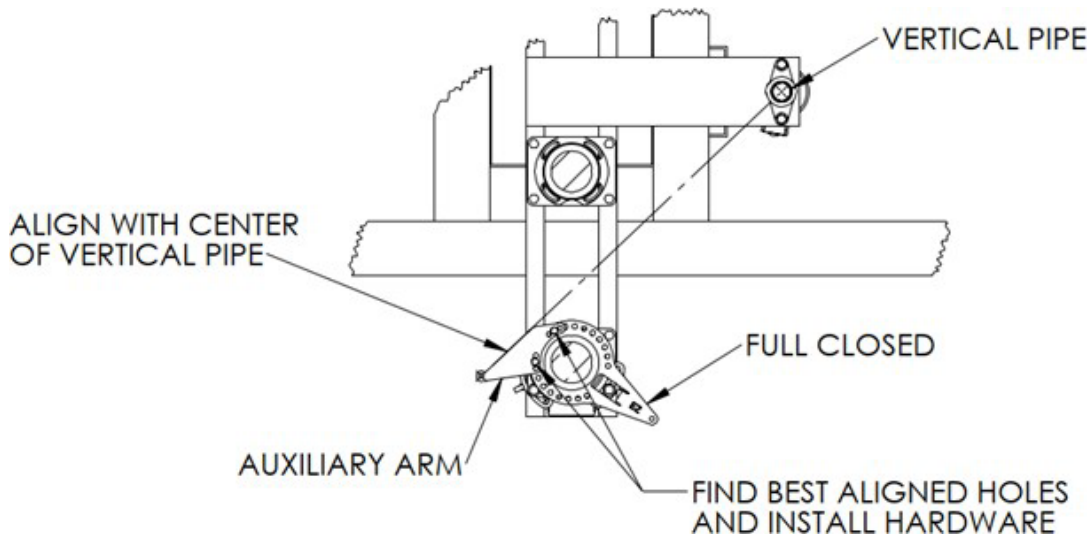


Please scan or use the link below for video instructions of Rapid-Set.
[Southern States Rapid Set Instructions](#)



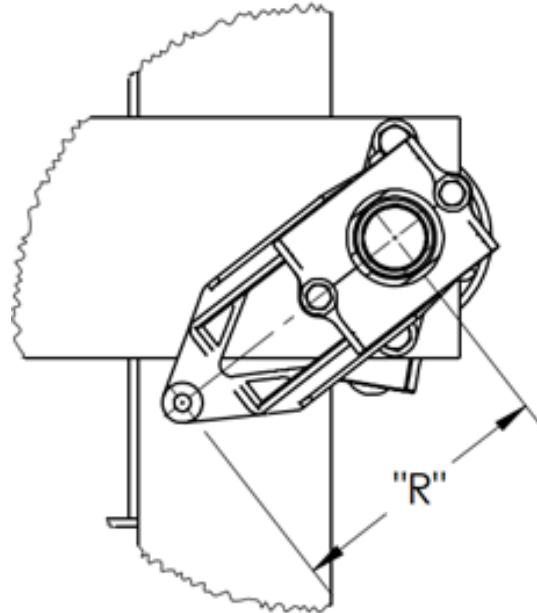
STEP 1:

Install the auxiliary arm by aligning the straight edge of the arm with the center of the vertical pipe and bolting it into place using two of the provided mounting holes. Do this with the switch phase set to the full closed position as shown below.



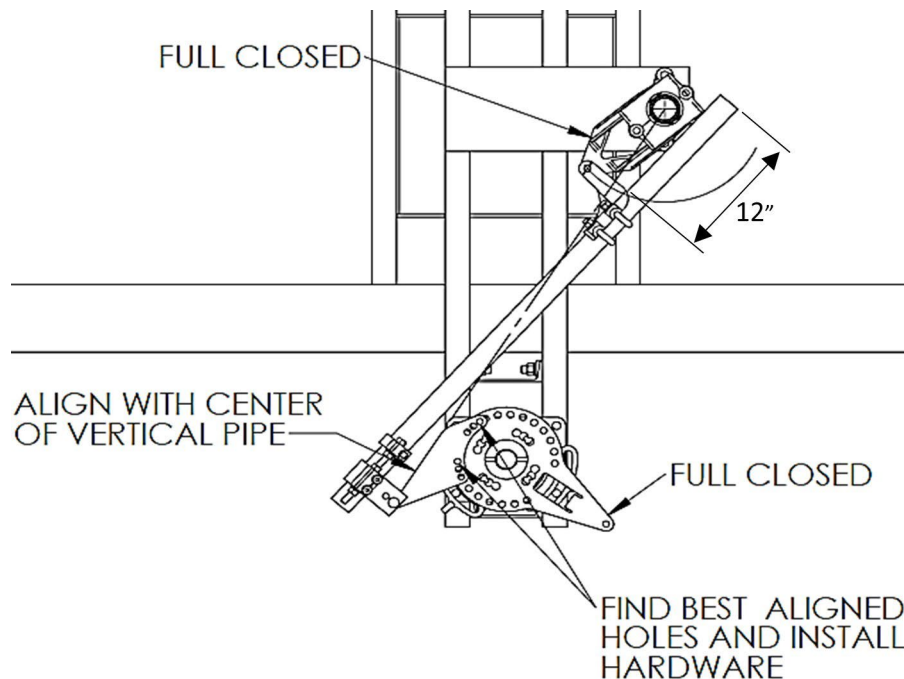
STEP 2:

Install the adjustable arm with the radius "R" set to the recommended length provided in the operating mechanism drawings.



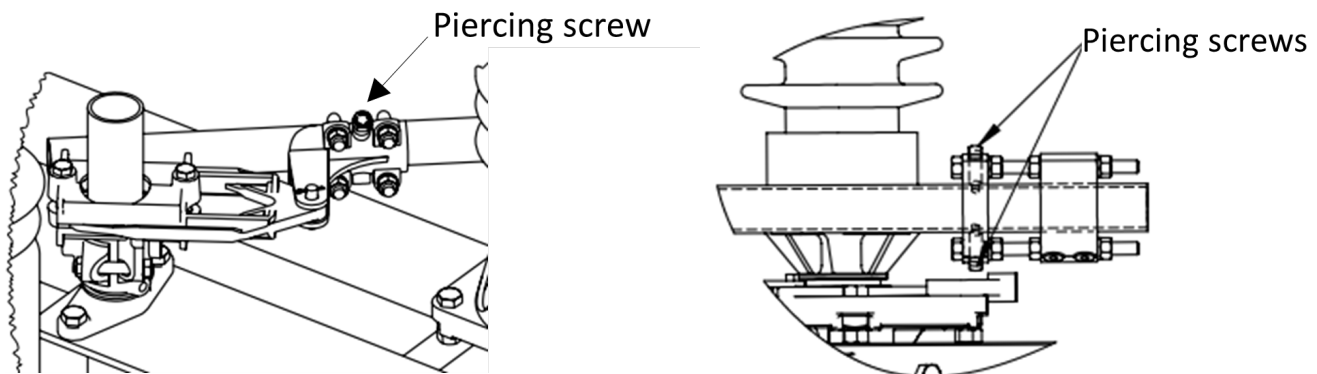
STEP 3:

Install the auxiliary arm Rapid-Set clevis and drive pipe. Ensure that roughly 12" of pipe extends beyond the adjustable arm clevis connection so that the pipe makes contact with the adjustable arm in the position shown. This may be the open or closed position depending on the job specific drawings. The pipe should contact the adjustable arm in this position.



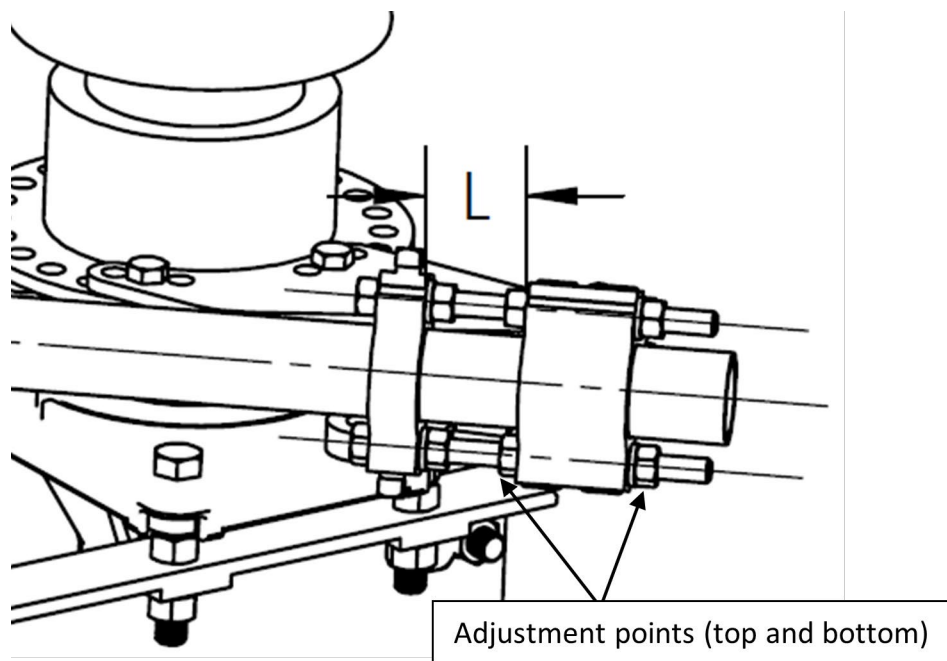
STEP 4:

With the auxiliary arm properly aligned with the vertical pipe and the switch phase in the full closed position, pierce the pipe at both ends. **NOTE:** U-bolt style clevises require pre-drilling on all pipes thicker than SCH40. Drill guides are provided on the operating mechanism BOM when required. Pierce the adjustable arm clevis by hand tightening until it penetrates the pipe and continue until snug (note piercing screw may still have threads showing). Do not remove plastic caps from the Rapid-Set clevis at this time. To pierce the Rapid-Set clevis, tighten each piercing screw until the head contacts the aluminum extrusion. Do not over tighten.



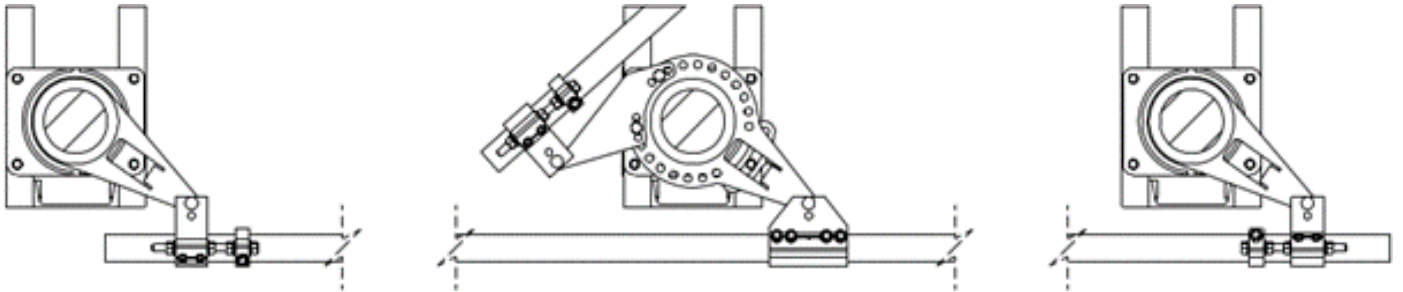
STEP 5:

Begin to manually open the phase using the operator. Observe the phase closed and open stops during operation and modify the length of the adjustable arm as needed to provide the proper amount of travel. Lengthen the arm to add travel and shorten the arm to decrease travel. The mechanism should have sufficient toggle (spring load) during closed and open position. To balance the force at closed and open positions, adjust the length "L" of the Rapid-Set clevis by adjusting the four nuts shown below. Ensure that both the top and bottom sets are adjusted in equal increments.



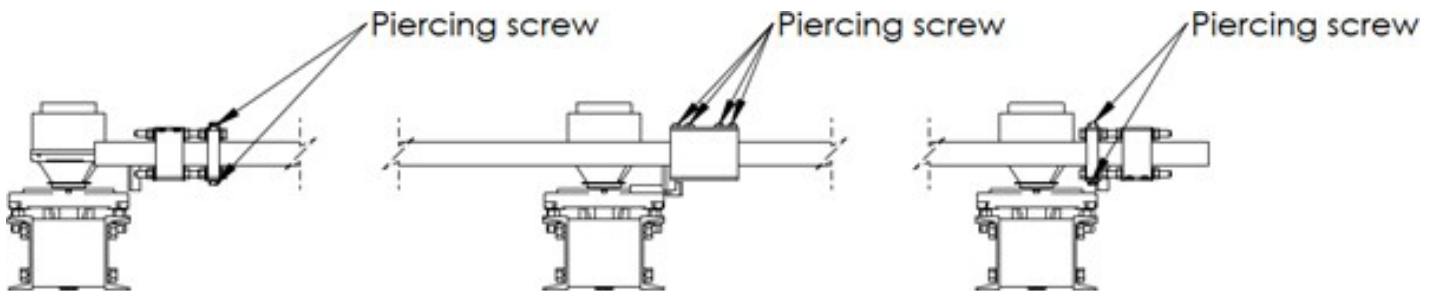
STEP 6:

After the drive phase is adjusted to operate correctly, set all phases to full closed, and install the interphase pipe following the procedure below.

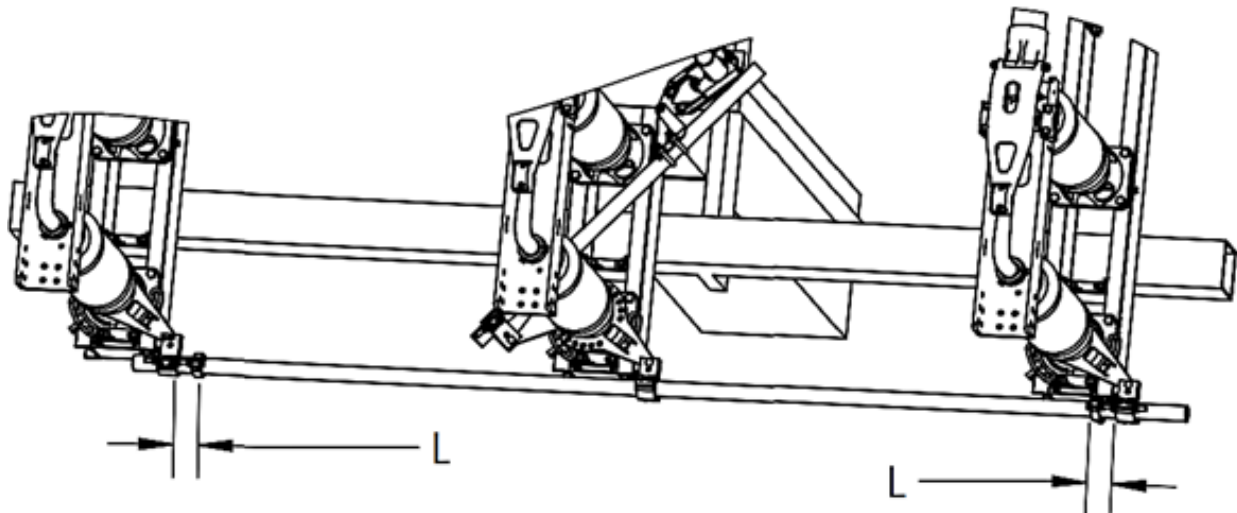


For switches driven by the center phase:

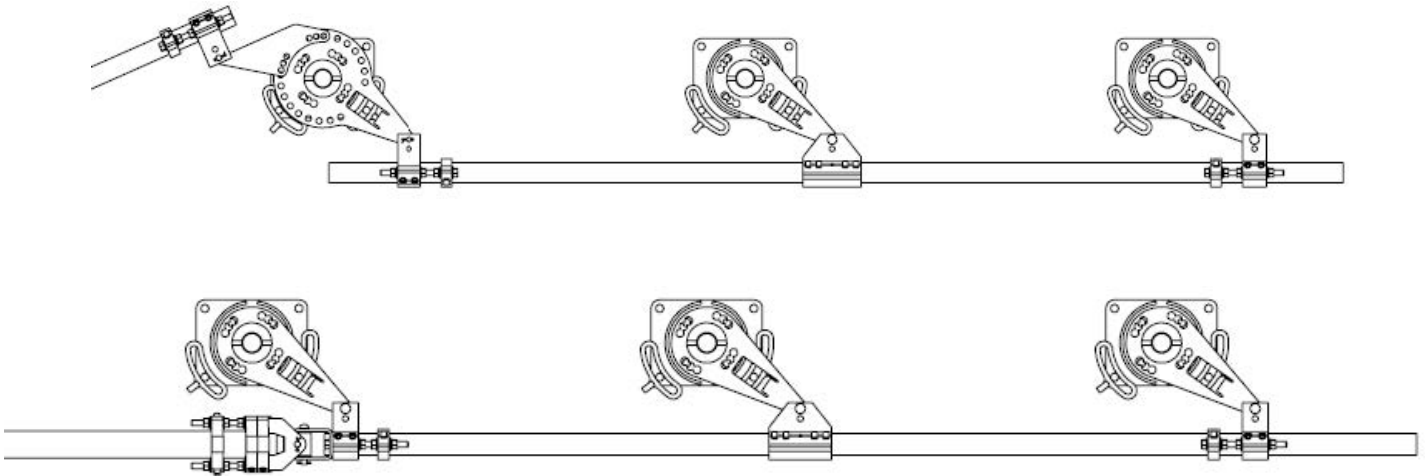
- With the interphase pipe centered and all clevises in place, pierce the interphase pipe at the locations shown. Do not remove plastic caps at this time.



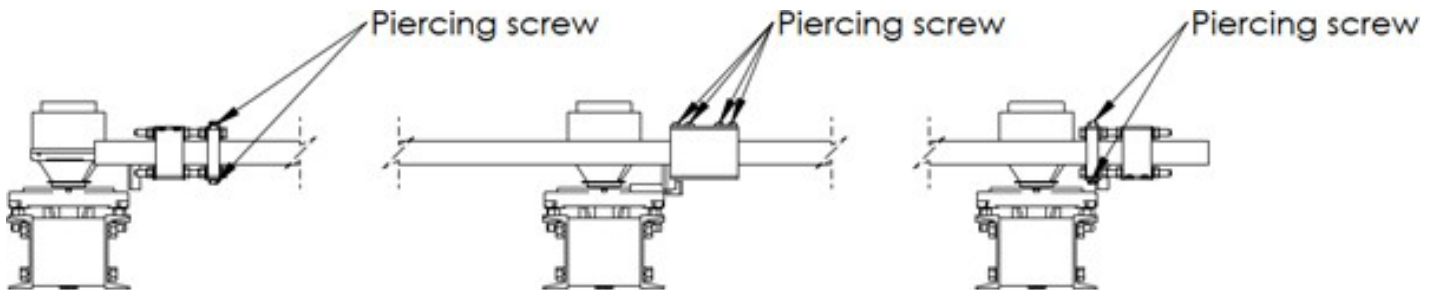
- Adjust the timing of the two driven phases by adjusting the length "L" of each Rapid-Set clevis.



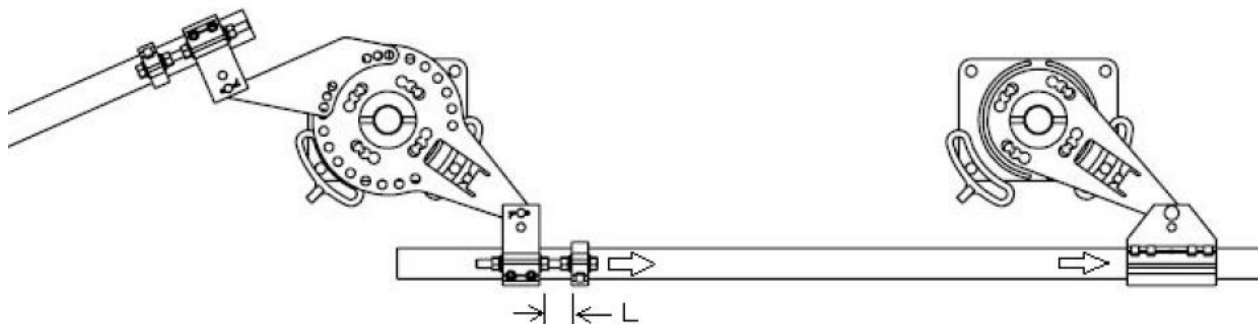
For switches driven by one of the end phases:



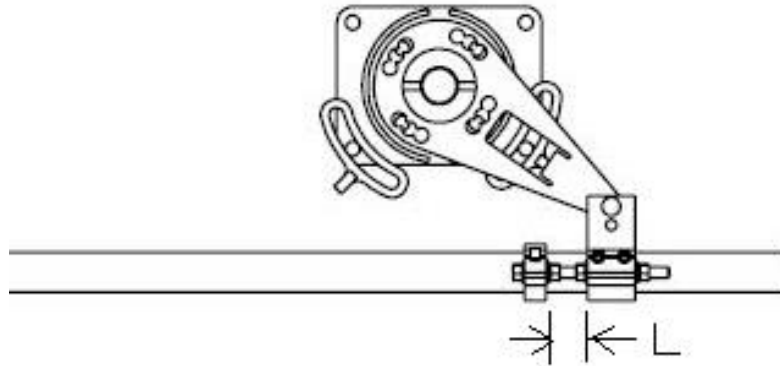
- a. With the interphase pipe centered and all clevises in place, pierce the interphase pipe with at the locations shown. Do not remove plastic caps at this time.



- b. Adjust the timing of the center phase by adjusting the length "L" of the Rapid-Set clevis attached to the drive phase.



- c. Set the timing of the last phase by adjusting the length “L” of the Rapid-Set clevis attached to the last phase.

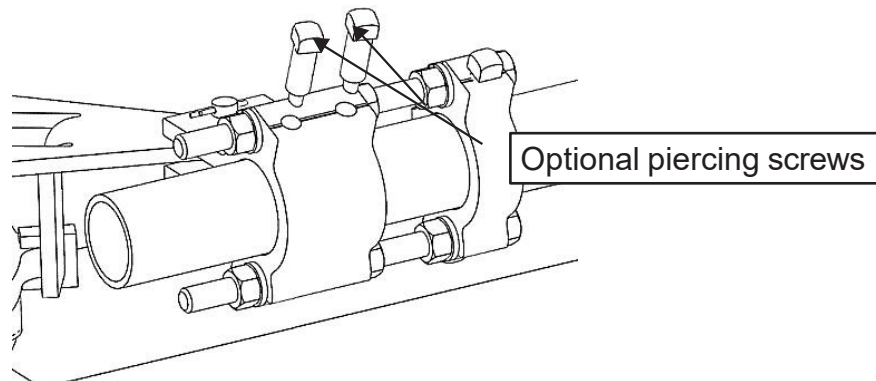


STEP 7:

With all the phases adjusted, open and close the three phase assembly and inspect for proper operation. Once adjustments are finalized, pierce all remaining connections (switch operator, adjustable arm, etc).

STEP 8:

Each Rapid-Set clevis is provided with 2 extra piercing screws. These are for optional use. To install, remove the plastic cover caps and insert the piercing as shown below. Note, adding these will restrict any additional adjustment. Remove them before making any future adjustments and then reinstall them on the bottom side of the clevis.



Safety Information

DANGER

IMPROPER HANDLING, INSTALLATION, OPERATION OR MAINTENANCE OF THIS EQUIPMENT MAY CAUSE IMMEDIATE HAZARDS WHICH WILL LIKELY RESULT IN SERIOUS PERSONNEL INJURY OR DEATH.

WARNING

The equipment covered by this publication must be handled, installed, operated and maintained by qualified persons who have direct knowledge and experience dealing with the hazards involved and are thoroughly trained in the handling, installation, operation and maintenance of high voltage transmission and distribution equipment. These instructions are meant for only such **Qualified Persons**. They are not intended to be a substitute for adequate training and experience in safety procedures for this type of equipment.

A **Qualified Person** is one who is trained in and has skills necessary:

- to read and comprehend this instruction book – understanding that these instructions are general in nature
- to accept personal responsibility to prepare and maintain an intrinsically safe work environment and maintain control of the work site to safeguard all persons present
- to develop and implement a proper rigging, lifting, and installation plan along with all safety precautions required to insure safe and proper lifting and installation of the equipment.
- to distinguish between energized and non energized parts
- to determine proper approach distances to energized parts
- to properly work with and around energized or de-energized equipment that may be pressurized with gas
- for proper use of personal protective equipment, insulating and shielding materials, insulated tools for working near energized and /or pressurized electrical equipment
- to recognize and take necessary precautions for the unique and dynamic conditions of site and specialized equipment to maintain a safe work environment during handling, installation, operation, and maintenance of high voltage switching equipment

The instructions in this manual are general guidelines for this type of equipment and not specific to the equipment supplied. Portions of it may not be applicable or may not have complete instructions for your specific equipment.

If you do not understand any part of these instructions or need assistance, contact Southern States Service Division at 770-946-4562 during normal business hours (EST) or 770-946-4565 after normal business hours.



The Quality Name in High Voltage Switching

LIMITED WARRANTY

SLLC warrants only to the Warranty Holder (hereinafter defined as the “End User” or the “Immediate Purchaser”, as applicable, pursuant to the terms and conditions of this Limited Warranty as set forth below), that the Product identified below will, upon shipment, be free of defects in workmanship and material for the applicable Warranty Period. The “Warranty Period” is that period of time during which this Limited Warranty is effective, and such period begins on the invoice date issued by SLLC for the Product, and continues until the earlier to occur of (1) 12 months from the date of installation, (2) 18 months from the date of invoice by SLLC, or (3) as otherwise specified on the Southern States Proposal. “Installation” shall be defined as the Product being assembled in the intended service location and does not require energization to be complete. If the Product is both purchased and installed within the United States or Canada, this Limited Warranty is granted to each end user of the Product who acquired the Product for its own use during the Warranty Period (“End User”). In all other situations, this Limited Warranty is granted only to the first purchaser of the Product (“Immediate Purchaser”) from SLLC. No primary or remote purchaser or owner of the Product who is not a Warranty Holder may claim any benefit under this Limited Warranty, or any remedial promise included in this Limited Warranty. SLLC shall, upon prompt written notice from the Warranty Holder, correct a nonconforming Product by repair or replacement at the sole discretion of SLLC of the nonconforming Product or any part or component of a nonconforming Product necessary in SLLC’s discretion to make such Product conforming. Any transportation charges, labor for removing, reinstalling the Product or part, and/or costs related to providing access to the Product shall be the responsibility of the Warranty Holder. Correction in this manner will constitute the Warranty Holder’s exclusive remedy and fulfillment of all SLLC’s liabilities and responsibilities hereunder. SLLC’s duty to perform under this limited warranty may be delayed, at SLLC’s sole option, until SLLC has been paid in full for all products purchased by the Warranty Holder. No such delay will extend the Warranty Period. If SLLC does not make such repair or replacement, SLLC’s liability for damages on account of any claimed nonconformity will in no event exceed the purchase price of the Product in question. This Limited Warranty does not apply to any Product that has been disassembled, repaired, or altered by anyone other than SLLC. This Limited Warranty will not apply to any Product that has been subjected to improper or abnormal use of the Product. SLLC has no responsibility to repair or replace any Product or component thereof manufactured by another party, but SLLC will assign, to the extent assignable, to the Warranty Holder any manufacturers’ warranty that applies to products and components not manufactured by SLLC.

THIS LIMITED WARRANTY IS EXCLUSIVE AND IN LIEU OF ALL OTHER WARRANTIES. THERE ARE NO OTHER EXPRESS, IMPLIED, OR STATUTORY WARRANTIES. ALL IMPLIED WARRANTIES WHICH MAY ARISE BY IMPLICATION OF LAW, OR APPLICATION OF COURSE OF DEALING OR USAGE OF TRADE, INCLUDING, BUT NOT LIMITED TO, IMPLIED WARRANTIES OF MERCHANTABILITY OR FITNESS FOR A PARTICULAR PURPOSE, NONINFRINGEMENT OR OTHERWISE ARE EXPRESSLY EXCLUDED. SLLC SHALL NOT BE LIABLE OR RESPONSIBLE FOR ANY CONSEQUENTIAL, INCIDENTAL, INDIRECT, EXEMPLARY, SPECIAL, OR PUNITIVE DAMAGES, EVEN IF SLLC HAS BEEN ADVISED OF THE POSSIBILITY OF SAME. THE WARRANTY HOLDER IS SOLELY RESPONSIBLE FOR THE SUITABILITY OF THE PRODUCT FOR ANY PARTICULAR APPLICATION.

Southern States, LLC

Equipment Receipt, Installation, Use, Operation and Maintenance Terms

("Terms of Use")

The purchaser ("Purchaser") of certain Equipment (the "Equipment") identified in the Instruction Manual accompanying these Terms of Use sold by Southern States, LLC ("Southern States"), by Purchaser's acceptance or Use of Equipment in any way, agrees to the Terms of Use set forth below (the word "Use" herein means receipt, testing, inspection, installation, operation, maintenance and otherwise handling the Equipment):

- Purchaser represents and warrants that it is fully qualified to Use the Equipment, and that it is a sophisticated user of the Equipment with a high level of expertise in the Use of the Equipment and Purchaser knows that Southern State is relying on Purchaser's sophistication and expertise with respect to the Equipment.
- The Purchaser will, within seven (7) days after receipt of the Equipment, inspect the Equipment and identify and notify Southern States in writing of any missing parts, damage or defects observed in the Equipment.
- The Purchaser will Use the Equipment, only in conformity with all manuals, data sheets and instructions provided by Southern States, and in keeping with sound engineering, utility and safety practice. Purchaser will at its own expense, provide all necessary labor, supplies, and facilities required to Use the Equipment.
 - The Purchaser may use its own personnel or engage a third party to Use the Equipment. The Purchaser shall insure that it only utilizes personnel who are fully qualified or certified by a reputable certification agency to Use the Equipment. In the event that Purchaser cannot find such qualified personnel, the Purchaser will notify Southern States and seek its advice to determine a mutually agreeable solution.
 - By separate agreement, Southern States may provide such services and the personnel to conduct such services in connection with the installation of the Equipment. In the event Southern States agrees to provide personnel to install, maintain, and operate the Equipment, such personnel will function only in an advisory capacity and shall have no responsibility for the supervision, or the quality or workmanship of such installation, maintenance, or operate of the Equipment.
- The Purchaser shall not install and operate the Equipment in a way such that a single point of Equipment failure leads to a cascading event or consequential damage to any person or property. Purchaser shall ensure redundancy in its system at all times. Purchaser acknowledges and agrees that electric service is by nature subject to interruptions due to Equipment failures and shall not agree to provide service free from the effects of Equipment failures
- The Equipment will be maintained and inspected as provided by this instruction manual and in compliance with best industry practices, but in no event will the Equipment be inspected and tested less frequently than once in every 6 months.
- The Purchaser shall not repair, dismantle, or alter any of the Equipment without Southern States' written consent.
- Any failure of Equipment either in service, testing or inspection will be promptly reported in writing to Southern States within 24 hours of the failure so that adequate evidence can be collected, appropriate diagnostic tests can be conducted, and analysis of the failure can be determined.
- Southern States will have no liability for any direct, indirect, consequential or remote damage or injury, whether or not foreseen or foreseeable, to the Purchaser or any third party or person for any damages or injury to person or property caused by Purchaser's or any third party's actions, whether or not negligent, in the Use of the Equipment. Purchaser shall indemnify and hold Southern States and its employees, officers and directors against any damage or injury caused in whole or part by Purchaser's or any third party's action whether or not negligent, resulting from the Use of the Equipment. Southern States expressly rejects any liability to third parties. The Purchaser expressly waives any claim against Southern States, its employees, officers, directors and affiliates, for injury or damage to person or property resulting from Use of the Equipment not directly and solely caused by Southern States' negligence. For the purposes of clarity, Southern States shall not be liable, and be fully indemnified by the Purchaser, for the following related to the Equipment: normal wear and tear, excessive use and loading, improper interference or maintenance on the part of the Purchaser or third parties, incomplete or false information given by the Purchaser, inappropriate or improper Use, faulty operation, installation or start-up, faulty or careless handling, improper maintenance, use of unsuitable operating materials/substitute materials, defective construction work, hazardous ambient conditions unknown to the Purchaser, chemical, electro-chemical or electrical influences, changes to the subject of delivery made without Southern States consent.
- In the event that Southern States is found by a court of competent jurisdiction or a properly empaneled arbitral body to be liable to the Purchaser for any reason, Southern States shall be entitled to a reduction in the liability by taking into account the exceptions provided by statute, law, and any counterclaims Southern States may have against Purchaser.
- The failure of Purchaser to comply with these Terms of Use herein shall void any and all warranties related to the Equipment. These Terms of Use shall be deemed to be part of the binding contractual agreements between Purchaser and Southern States related to the Equipment and shall govern over any inconsistent term or provision in such other contractual agreements.



Southern States, Inc.

Revised September, 1987

Types EV, EV-1, and EVB
69 — 230 kV
All Ampere Ratings

The illustration below shows the basic design configuration of the switch types EV, EV-1, and EVB; however, individual differences may exist between different models due to different mounting schemes, insulator types and sizes, and customer requirements. But regardless of their appearance, all EV, EV-1, and EVB switches share basic mechanical details, and the installation procedure is the same for all.

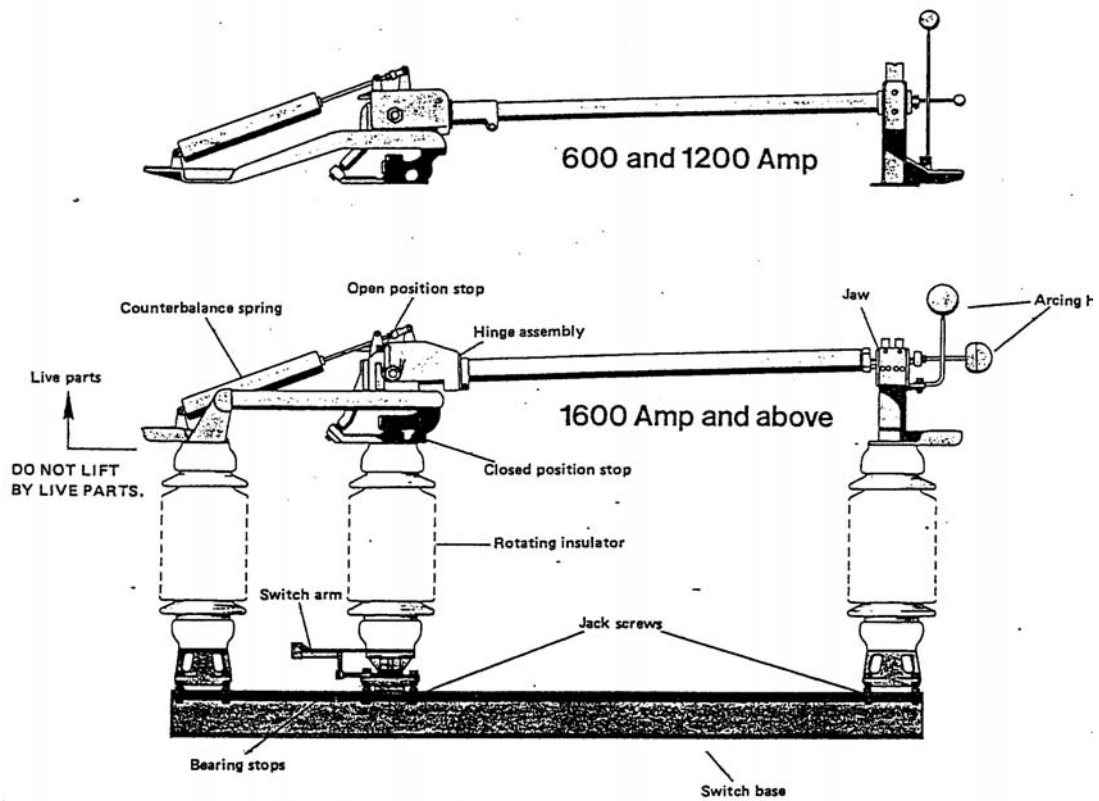


Figure 1 - Identification of parts (No scale)

NOTE: The drawings in this manual are for illustration only and may differ in actual appearance from your switch.



Since these switches are normally shipped without insulators, installation consists of removing the live parts from the base, mounting the insulators to the base, and mounting the live parts to the insulators. In some cases minor adjustments to the live parts may be necessary; however, the kickoff bolt (Fig. 2) should never be readjusted except under factory advisement.

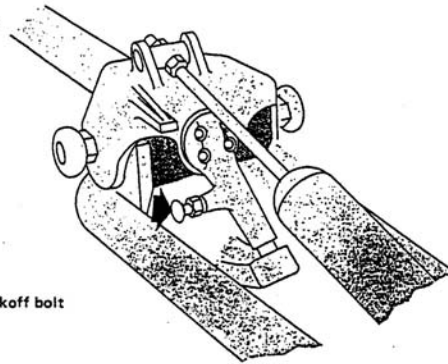
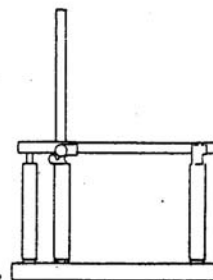


Figure 2 - Kickoff bolt

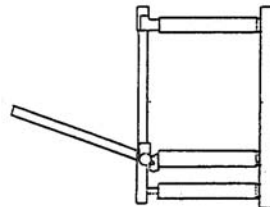
These switches may be assembled on the structure, or assembled on the ground and hoisted to the structure according to preference. (Exception: It is recommended that vertical mounted switches always be assembled on the ground.) When assembling switches on the ground, be sure the base rests on a firm, level surface. When hoisting switches, **LIFT BY THE SWITCH BASE ONLY.**

Before mounting the switches on the structure, refer to the Op. Mech. Drawing because there may be differences in the switch poles that require that they be mounted in specific locations.

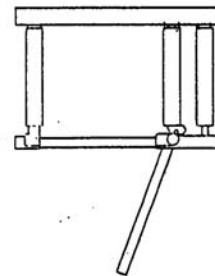
DO NOT CHANGE ANY FACTORY SETTING ON THE SWITCH UNLESS DIRECTED TO IN THIS MANUAL.



Horizontal Upright



Vertical



Horizontal Underhung

Figure 3 - Definition of mounting positions

Field Assembly

1. Uncrate the switches, remove the shipping tie-down wires, and check for damage in transit. If any damage is found, immediately file a claim with the carrier and notify the factory.
2. Using any convenient means, match mark the lower parts of the hinge assembly with the switch arm and the rotating hub. The switch operating arm, once the live parts are removed, is non-captive, so it is especially important that this item be match marked.
3. For horizontal upright mounted switches, open the switch completely to relieve the counterbalance spring pressure, allowing the crank arm to toggle lock the blade open.
(For vertical and underhung switches, rotate the switch arm only far enough to relieve the contact pressure on the switch blade.)

Remove the live parts from the adaptors and save the bolts for re-use (IF they are of a type specified on the Unit Assembly Drawing for insulator mounting - galvanized, stainless steel, or bronze).

NOTE: Some poles may have an auxiliary switch arm. Check the Op. Mech. Drawing for the proper setting of this arm.

4. Mount the insulators to the base adaptors and switch arm plate on the bearing as shown in figure 4. Use the bolts specified in the field assembly bolt list (SF Drawing). Be sure that the match marks made earlier line up.

NOTE: Some switches may use 1/2" spacers between the live parts and the top of the insulators. When assembling the switch, make sure these spacers are replaced atop the same insulator stack that they were shipped on.

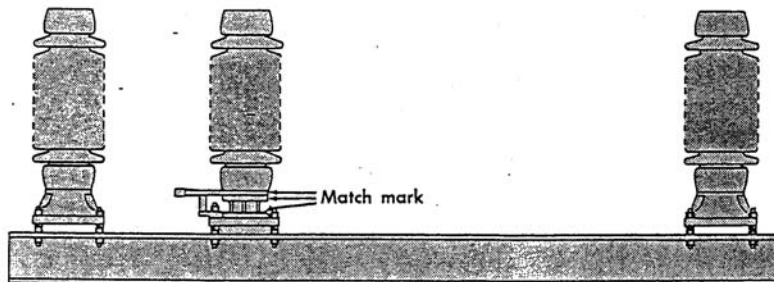
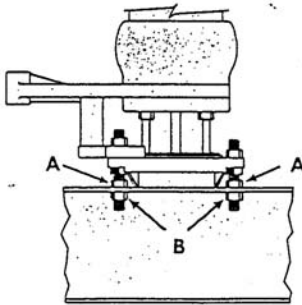


Figure 4 - Be sure that the match marks made in step 2 are realigned. The switch arm in the illustration is shown in the normal position, but in some applications the switch arm may be reversed or an auxiliary switch arm may be used. Refer to the Op. Mech. drawing.



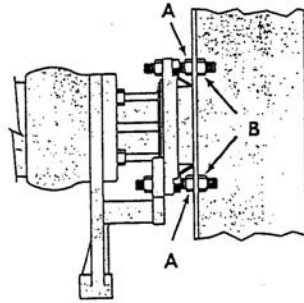
- 5- It is important that the center insulator be as nearly perpendicular to the base as possible. Plumb this insulator stack. If necessary, adjust the jack screws on the bearing as directed in figure 5 until the center insulator is 90° to both the long and short axis of the base.

NOTE: When adjusting jack screws it is important that the actual height of the insulator remain the same. To do this, adjust opposite screws equally; that is, run one nut up a certain number of turns, and run the other one down the same amount of turns. (By doing this, the insulator stack will remain at its original height, but its angle of tilt will change.)



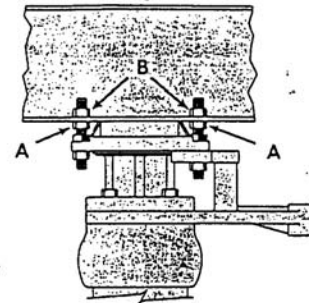
UPRIGHT

To adjust the insulator stack, loosen all four nuts (B). Tilt insulator to required position by screwing up or down on nuts (A). Retighten nuts (B).



VERTICAL

To adjust the insulator stack, loosen both top nuts (A) and bottom nuts (B). Tilt insulator to required position by running bottom nuts "A" in or out and top nuts "B" in or out. Retighten opposite nuts.



UNDERHUNG

To adjust the insulator stack, first loosen all four nuts (A). Tilt insulator to required position by screwing up or down on nuts (B). Retighten nuts (A).

Figure 5 - Jack Screw Adjustment



6. Mount the hinge and blade assembly as directed in figure 6. Be sure that the match marks made earlier are aligned.

NOTE: If applicable, at this time also mount accessories such as: grounding switch jaw, quick break device, outriggers, etc. as shown on the Op. Mech. Drawing. Discard spacers as appropriate to maintain equal height of the live parts on the rotating and the stationary insulators.

1. FIRST, make sure that the switch arm is reattached in alignment with the match marks. Then rotate the insulator clockwise to bring the arm against the open position stop.*

2. THEN, with the switch blade fully open, mount this assembly, being sure to include spacers if required.*

3. AFTER step No. 2, mount this end. **DO NOT** pull the hinge base sideways or otherwise force parts to align holes.

4. If the mounting holes in step No. 3 do not line up, adjust these jack screws until they do.

*For easy assembly of vertical and underhung switches, the bearing and hinge assembly should be "almost closed" due to the counterbalance spring forces. In these cases, the switch arm should be near the closed position.

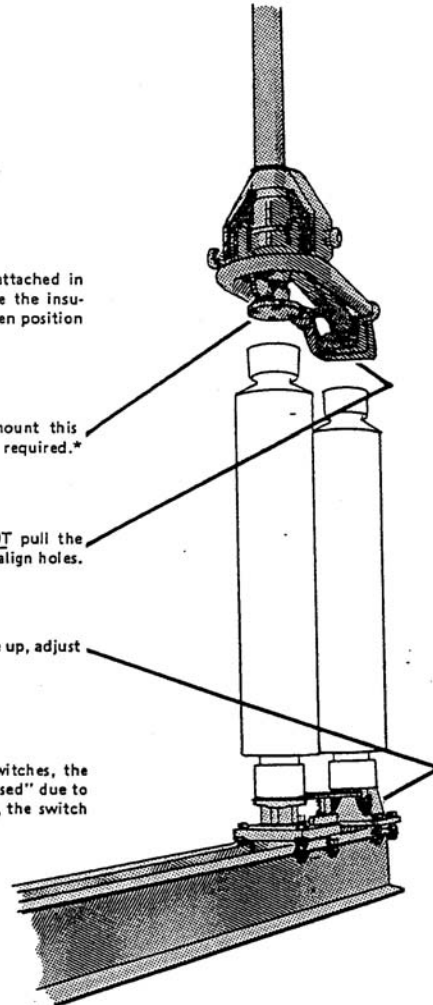
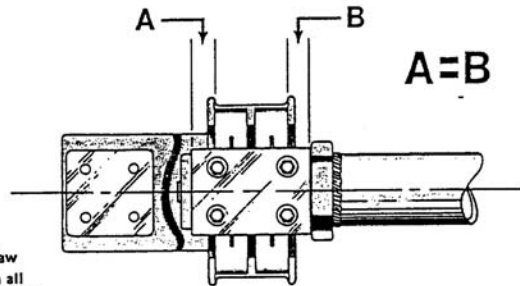


Figure 6



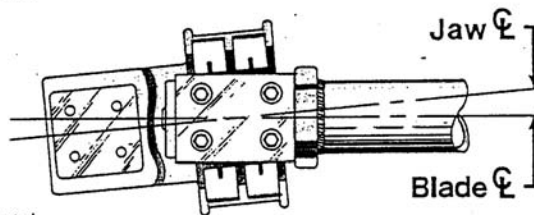
7. Mount the jaw. Leave the mounting bolts loose and close the switch. Inspect the contacts for correct axial alignment as shown in figure 7. Tighten the mounting bolts.

NOTE: If possible, install the conductors at this time to avoid the possibility of having to readjust the insulators later due to unequal conductor loads on the terminals.



Top: Correct jaw alignment, with all contact leaves touching and centered on the silver of the blade tip.

Figure 7



Bottom: Exaggerated example of incorrect alignment.

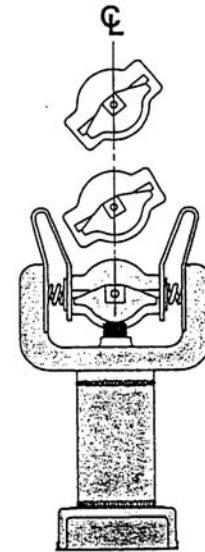


Figure 8

8. If the switch has been assembled on the ground, at this time mount it on the structure. **LIFT BY THE SWITCH BASE ONLY.**
9. Hand operate each pole to check for proper contact engagement. The blade should enter the jaw centrally as shown in figure 8 without dragging on either side. Additionally, it must come to rest with the silver of the blade centered in the silver of the contact leaves as shown in figure 7. Adjust the jaw screws at the base of the jaw insulator to achieve proper contact alignment.



10. The switch is fully closed and will have adequate contact pressure if the blade has rotated to within plus or minus 5° of perpendicular in the contacts as shown in figure 9. It may be necessary to adjust the closed position stop (see figure 1) to achieve good contact. Adjustment of the bearing stops may also be required.

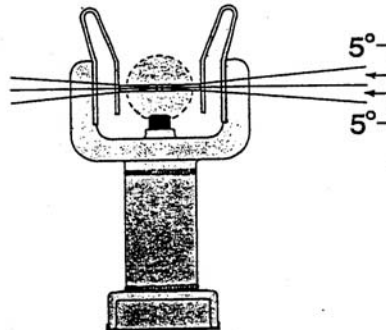


Figure 9

11. If applicable, install the arcing horns. The blade horn is screwed into the threaded hole in the blade tip, and the jaw horn is bolted to the recessed tang on the jaw (see figure 1). The horns should touch *lightly* throughout their stroke. Arcing horns rubbing together with excessive pressure can cause the blade to rotate outside the contacts, causing switch malfunction. Bend the jaw horn as required to achieve enough pressure for contact, but not so much as to cause binding.
12. When all adjustments are made, install the operating mechanism as directed on the following pages.

NOTE: After installing conductors it may be necessary to readjust the insulators due to unequal loadings on the terminals.

These instructions give the general procedure for adjusting 69-230 kV vertical break switches. It may be necessary to make adjustments not outlined in this manual. If any questions should arise concerning the adjustment of this equipment, please contact your local Southern States representative or the factory.

minor details made necessary by different types of structures, different requirements for vertical pipe rotations, clearances, etc. Although the drawing shown in Figure 10 is of a 69 kV vertical break switch, it may be used as a general example of operating mechanisms for all Southern States switches regardless of mounting positions. The operating pipes may be arranged in any of 4 basic ways as shown schematically in figure 11; however, the operating principle remains the same, and the method of installation and adjustment is virtually identical.

NOTE: Some installations of higher ampere switches will have a double interphase pipe (Item 15). In which case one switch pole will always have an auxiliary switch arm as shown in Detail "A" below.

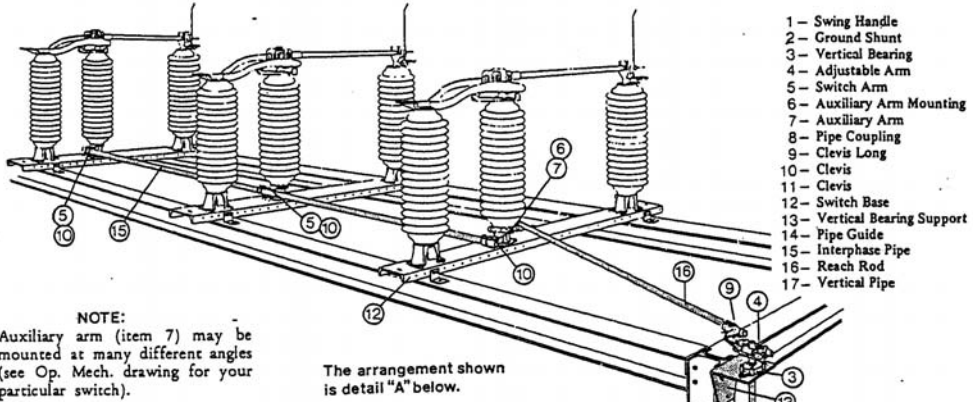


Figure 10
Typical Vertical Break Switch Installation.
See the operating mechanism drawing.

Operating Mechanism

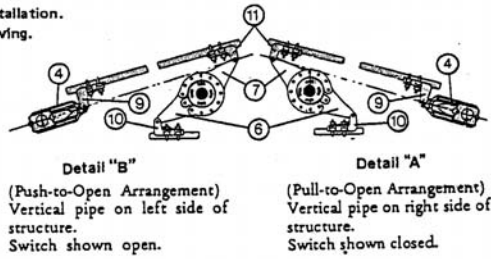
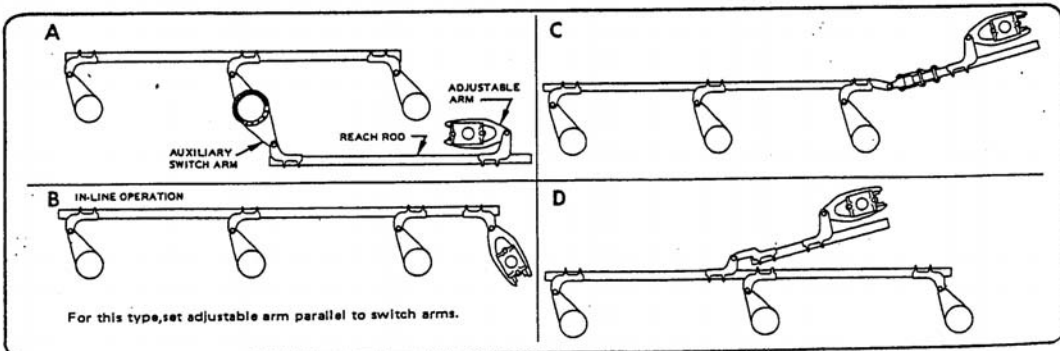


Figure 11 Alternate Operating Schemes





- I. Included with every switch is an Operating Mechanism Drawing (Op. Mech. Drawing). Study this drawing carefully, and with all switch poles closed, install mounting brackets, bushings, manual operating devices (if used), vertical pipe, adjustable crank arm, reach rod, and interphase pipe. *Be sure that pipe collar above the vertical bearing supports the full weight of the vertical pipe.*

IMPORTANT: On some installations you will find self-piercing set screws in the pipe clevises. These screws should be tightened to only grip the pipe during initial adjustments: Do not pierce the pipe until directed to do so.

NOTE: When a switch pole is equipped with an auxiliary arm, the best method for operating mechanism attachment is to wait until after this pole is completely adjusted before installing the interphase pipe. (This will eliminate trying to coordinate and adjust all three poles at once.)

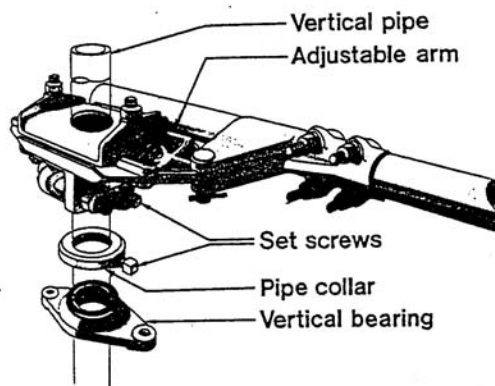


Figure 12 — Adjustable arm assembly. Pipe collar must support full weight of pipe.

- II. After mounting all operating mechanism components, use any convenient means to match mark all clevis connections, adjustable arm, and manual operator attachment to check for slippage during trial operations.
- III. If a motor operator is to be used, at this point refer to the motor operator installation instructions for mounting and trial operations.
- IV. Place all switch poles in the fully closed position.



Op. Mech. Adjustment

V. ADJUSTMENT: *(If motor operator is used DO NOT use electrical operation until all line switch adjustments are made.)*

1. The adjustable arm should travel 180° from toggle closed to toggle open.* Manually test operate.
2. If the switch does not fully open, the radius of the arm is too short. To correct:
 - a. Check first to see that nothing has slipped.
 - b. Return the switch to the closed position.
 - c. Loosen the adjustable arm and clevis bolts as shown below.
 - d. Lengthen the radius of the adjustable arm about 1/4 inch and allow the clevis to reposition itself the same distance (shortening the pipe).
 - e. Test operate again and adjust as necessary.

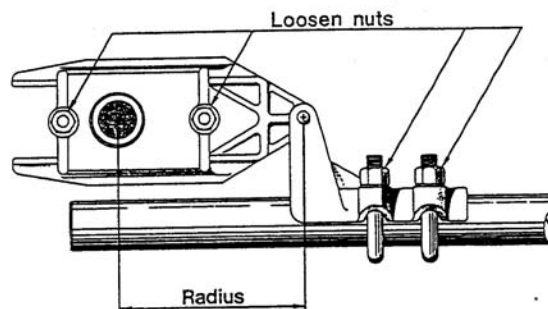


Figure 13

3. If the switch is fully open before the control handle reaches the open position, the radius of the adjustable arm is too long. To correct:
 - a. Check to see that nothing has slipped.
 - b. Return the switch to the closed position.
 - c. Loosen the adjustable arm and clevis bolts as shown above.
 - d. Shorten the radius of the adjustable arm about 1/4 inch and allow the clevis to reposition itself (lengthening the pipe).
 - e. Test operate again and adjust as necessary.

All poles of the fully adjusted switch should operate simultaneously. Slight adjustment of the inter-phase clevises may be necessary to coordinate all three poles.

4. When the switch is completely adjusted, securely tighten all bolts, and tighten all set screws until the pipe walls are pierced. (For heavy wall pipe, drill the set screw holes, using the threaded drill guides supplied and a 1/4" drill.)

VI. MAINTENANCE

It is suggested that maintenance on these switches be performed in accordance with ANSI STANDARDS C37.35-1976.

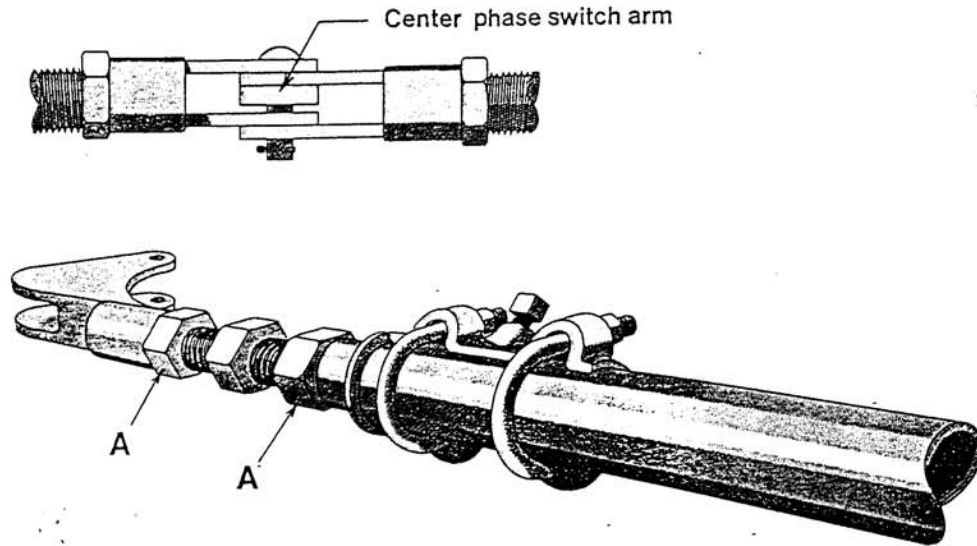
*Exceptions may occur. Refer to the Op. Mech. drawing.



General instructions for threaded clevises



When threaded clevises are specified, one is generally attached to the adjustable arm, and two more to the center phase switch arm (Refer to the plan view of the operating mechanism drawing, and the illustration below).



Operating mechanism adjustments consist mainly of incremental lengthenings and/or shortenings of the pipes that connect the switch arms together. To make these adjustments, simply loosen both jam nuts "A", and screw the stud in or out as required. Be sure to retighten both jam nuts securely.

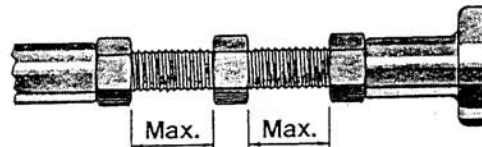
CAUTION! DANGER: Do not screw the stud out of the clevises. This could cause the pipe to fall, resulting in serious injury to personnel below.

Be sure the initial setting is correct, and do not adjust beyond the maximum allowable dimension. If adjustment beyond the maximum allowable dimension is needed, loosen the U-bolts on the outboard phase clevis and reposition the pipe toward the center phase.

Initial dimension for 3/4" stud is 11/16";
1" stud is 1/2".



Maximum allowable for 3/4" stud is 1-3/16".
Maximum allowable for 1" stud is 1".

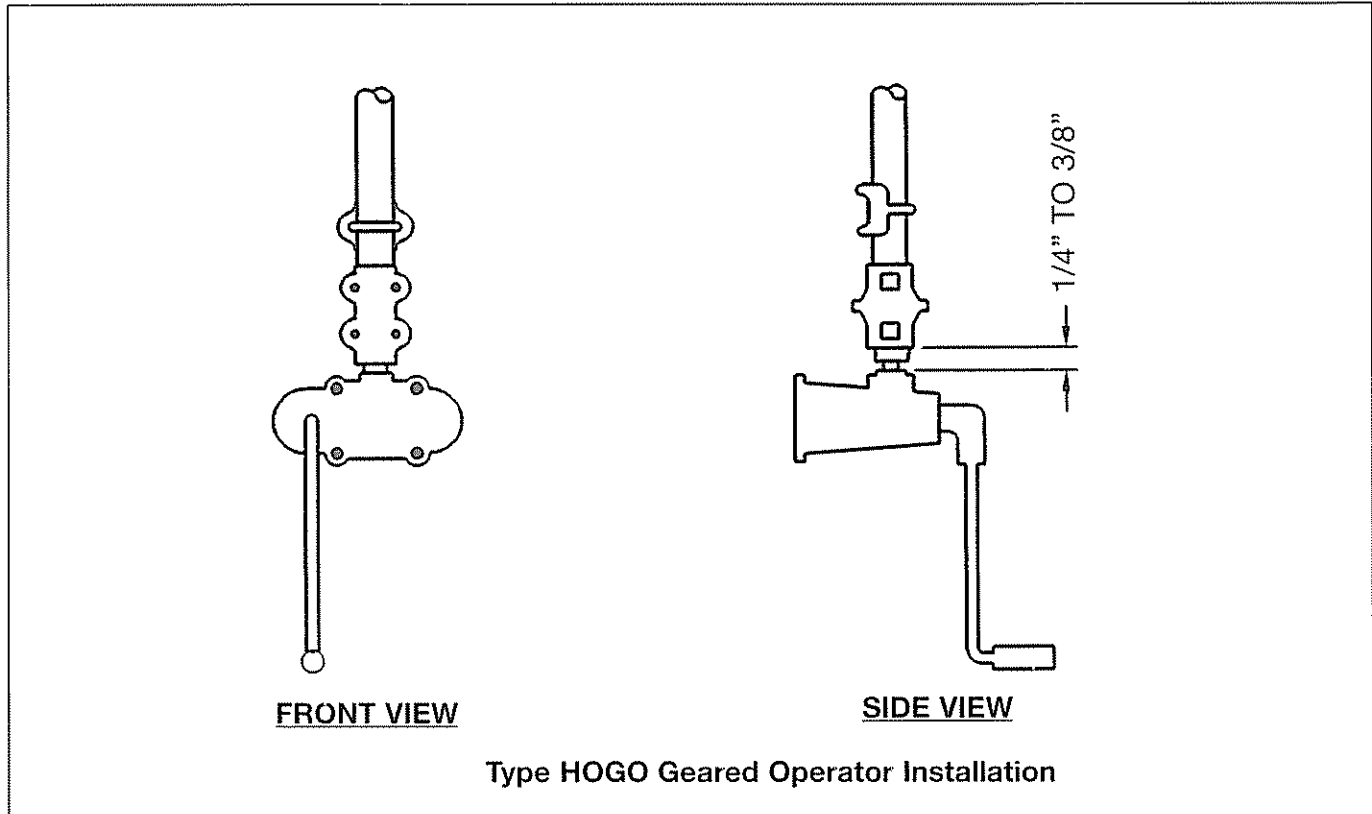




Installation & Adjustment Procedures

If a Manual Geared Operator is furnished:

- Operator Handle is factory set to rotate either clockwise or counter-clockwise to open the switch.
- Operator Handle should hang vertically and free in both the open and closed positions – This will permit insertion of a customer furnished padlock.



- Position the Floating Coupling approximately 1/4-Inch to 3/8-Inch above the operator.
- The Pipe Collar above the Vertical Bearing must support the entire weight of the Vertical Operating Pipe. Do not allow the manual or electrical motor operator housing to bear any weight.
- The maintenance-free operator is filled with grease and sealed at the factory.

If an Electrical Motor Operator is furnished, refer to separate Instruction Manual.

Place all switch poles in the fully closed position.

Caution: If furnished with a Motor Operator, **do not** use electrical operation until all switch adjustments are complete.

The Adjustable Arm setting indicated on the Operating Mechanism Drawing is a calculated dimension. Adjust as required for exact setting.

Manually test operate.

Recommended Inspection Maintenance

Southern States' disconnect switches are designed to operate with minimum maintenance. While disconnecting switches are not readily serviced at frequent intervals, *periodic inspection is important for satisfactory operation and maximized overall life*. Frequency of inspection and maintenance depends on the installation site, weather, atmospheric conditions, experience of operating personnel, and any special operation requirements.

During operational testing, the switch should be opened and closed several times, if possible, to clean the contacts and free the moving parts. A visual inspection, when the switch is wet, or temperature scanning detector may indicate hot spots that could serve as potential sources of trouble. Directional microphones or ultrasonic detectors can be used to locate local corona sources on the switches which can be eliminated during normal switch maintenance.

NOTE

It is recommended that maintenance on these switches be performed in accordance with ANSI STANDARDS **C37.30.1-2011**. In addition, well-established live-line servicing and maintenance procedures may be used in accordance with user practices and local and OSHA regulations.

Table: Recommended Installation and Maintenance Table

		Installation Tests	Patrolling Inspection 6-months	Routine 5 Year *	Periodic 10 Year *
Insulators	Contamination	X	X	X	X
	Damage	X	X	X	X
Cabinet (if motor operator supplied)	Any loose parts on the floor of the cabinet?	X	X	X	X
	Wiring Secure	X	X	X	X
	Links Secure	X	X	X	X
	Inspect Mechanism for loose parts	X	X	X	X
	Heaters Energized	X	X	X	X
	Door Seal	X	X	X	X
Mechanical	Operational Tests	X		X	X
Electrical	Contact Resistance	X		X	X
Liveparts Inspection	Inspect Contacts	X		X	X
	Inspect Arcing Horns	X		X	X

***NOTE:** Inspection/maintenance is suggested to be performed every two (2) years when installed in harsh environments with excessive airborne contaminants such as salt spray and industrial pollutants.

Recommended Inspection Maintenance

Patrolling Inspection (6 Months)

The patrolling inspection is a largely visual inspection on an energized unit in service. The frequency of the inspection is determined by the local conditions and policies of the owner of the equipment.

- Inspect the insulators for breaks, cracks, burns, or cement deterioration. Clean insulators particularly where abnormal conditions such as salt deposits, cement dust, or acid fumes exist to minimize possibility of a flashover.
- If an accompanying motor operator is supplied, check the cabinet for loose parts and ensure that all wiring is secure, the heater is energized, and the door is sealed.

Routine Inspection and Maintenance (5 year)

⚠ DANGER

The disconnect switch must be de-energized, disconnecting from all electrical power sources before servicing.

- Perform patrolling inspection (above), checking insulators and cabinet
- Once the disconnect switch is de-energized, test operate the switch multiple times.
- Check the switch for alignment, contact pressure, eroded contacts, corrosion, and mechanical malfunction, replacing damaged or eroded components if necessary. If contact pitting is minor, smooth the surface with a clean, fine sandpaper. It is recommended to clean and reapply Southern States Electrical Compound (part number 08137110) during any operation or maintenance cycle, as exposed surfaces (*such as contacts*) are vulnerable to environmental conditions and contaminants that can decrease the effectiveness of the grease over time. During reapplication, clean and wipe down the contact surfaces with a green Scotchbrite pad, reapply Southern States Electrical Compound (part number 08137110), and remove any excess grease until an evenly coated, thin film is present.
- Inspect arcing horns for signs of excessive arc damage and replace if necessary.
- Check blade lock or latch for adjustment.
- Inspect all live parts for scarring, gouging, or sharp points that could contribute to excessive radio noise and corona. Check corona balls and rings for damage that could impair effectiveness.
- Inspect interphase linkages, operating rods, levers, bearings, etc. to assure that adjustments are correct, all joints are tight, and pipes are not bent.
- Check for simultaneous closing of all blades and for proper seating in the closed position.
- Inspect and check all safety interlocks while testing for proper operation.

Periodic Inspection and Maintenance (10 year)

⚠ DANGER

The disconnect switch must be de-energized, disconnecting from all electrical power sources before servicing.

- Follow instructions for 5-year Routine Inspection and Maintenance



The Quality Name in High Voltage Switching

30 Georgia Avenue
Hampton, Georgia 30228
Phone: 770-946-4562
Fax: 770-946-8106
E-mail: support@southernstatesllc.com
<http://www.southernstatesllc.com>

©2025 Southern States, LLC
IB-101/104-EV/EVB 230/Rev 5 12082025 Printed U.S.A.