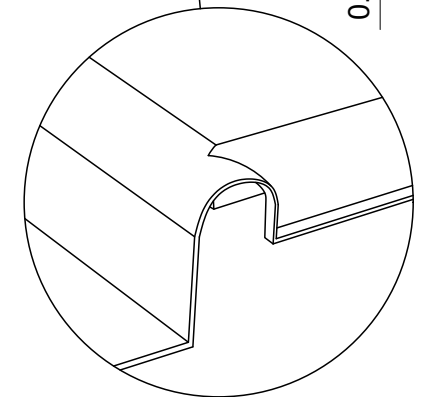


Compression Joints **A**

1 VersaLiner™
FORM VIEW



MATERIAL
0.020" HIPS

COVERAGE
4 LF

BRICKS
4

PART NUMBER
338

Patent information: mbrick.com/patents
© 2025 Innovative Brick Systems

VersaLiner™ Embedded Brick Single-Use Formliner
Norman Stretcher Recessed Course

Drawing for reference only.