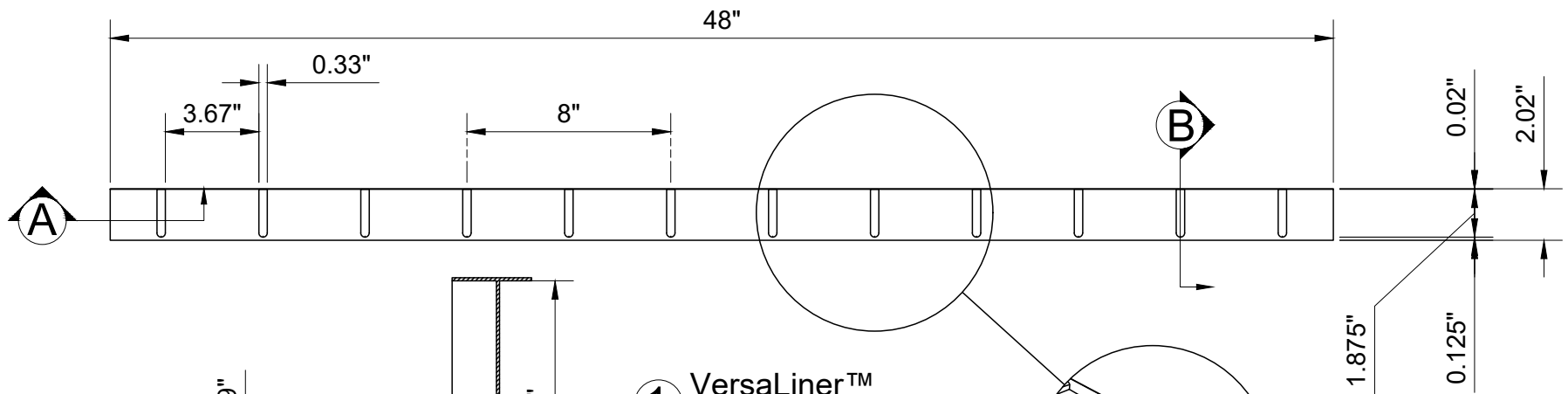
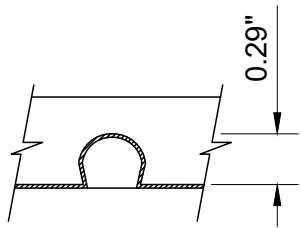


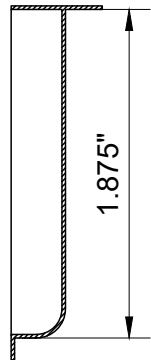
② VersaLiner™  
FRONT VIEW



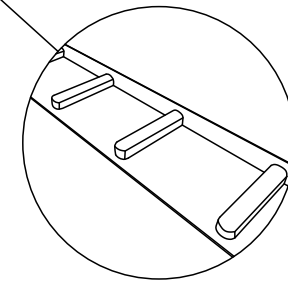
① VersaLiner™  
FORM VIEW



COMPRESSION JOINT  
A



JOINT SECTION  
B



DETAIL PERSPECTIVE



MATERIAL  
0.020" HIPS

COVERAGE  
4 LF

BRICKS  
N/A

PART  
NUMBER

**490.02**

Patent information: [mbrick.com/patents](http://mbrick.com/patents)  
© 2025 Innovative Brick Systems

VersaLiner™ Embedded Brick Single-Use Formliner  
Utility or Closure Plug Strip

Drawing for reference only.