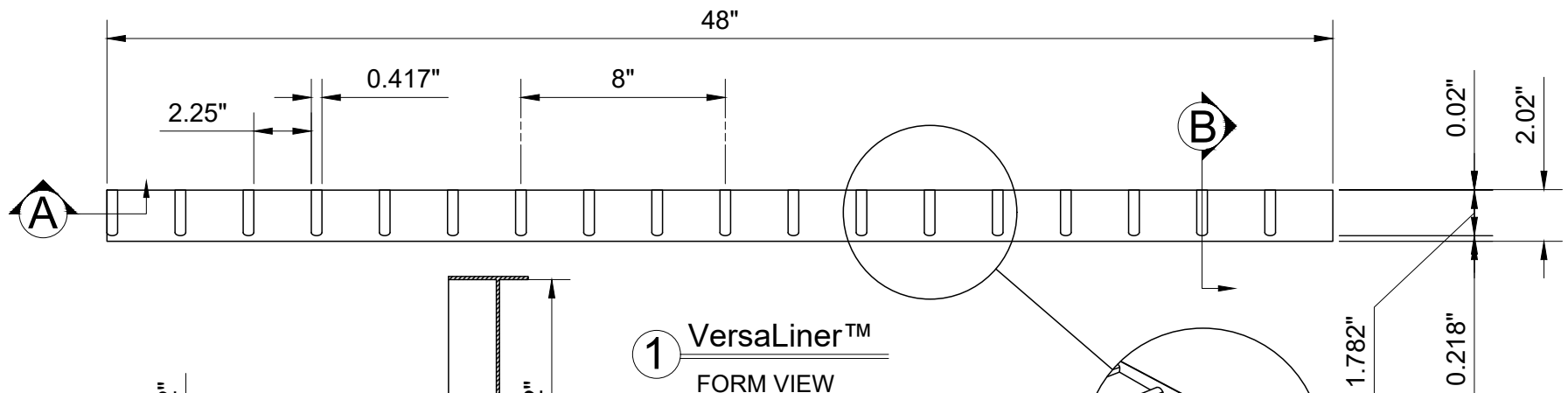
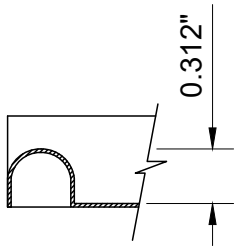


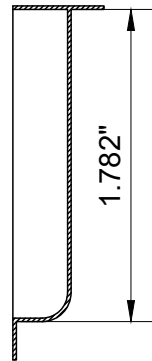
② VersaLiner™
FRONT VIEW



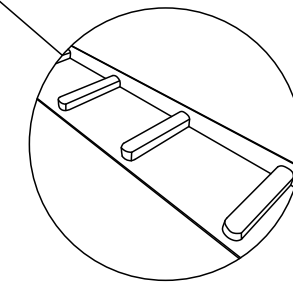
① VersaLiner™
FORM VIEW



COVE JOINT A



JOINT SECTION B



DETAIL PERSPECTIVE



MATERIAL
0.020" HIPS

COVERAGE
4 LF

BRICKS
N/A

PART
NUMBER

190.02

Patent information: mbrick.com/patents
© 2025 Innovative Brick Systems

VersaLiner™ Embedded Brick Single-Use Formliner
Modular Plug Strip

Drawing for reference only.