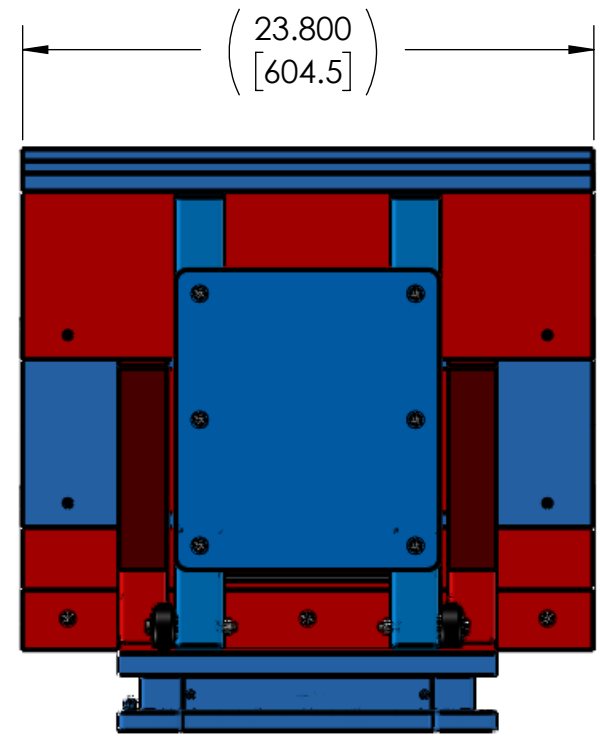
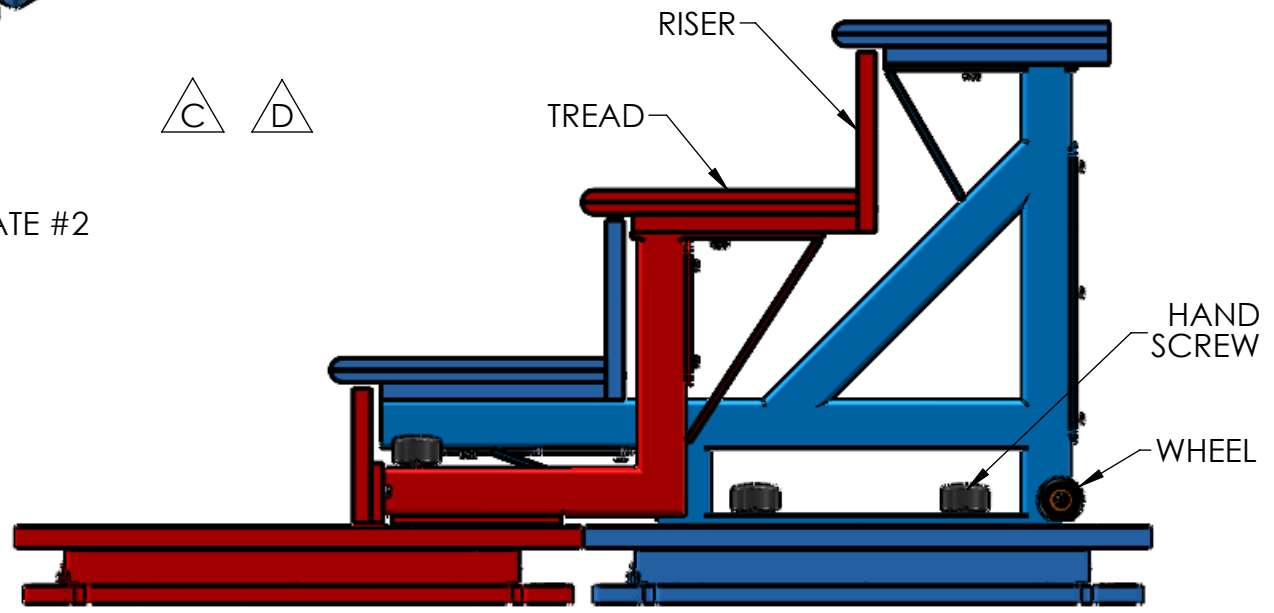
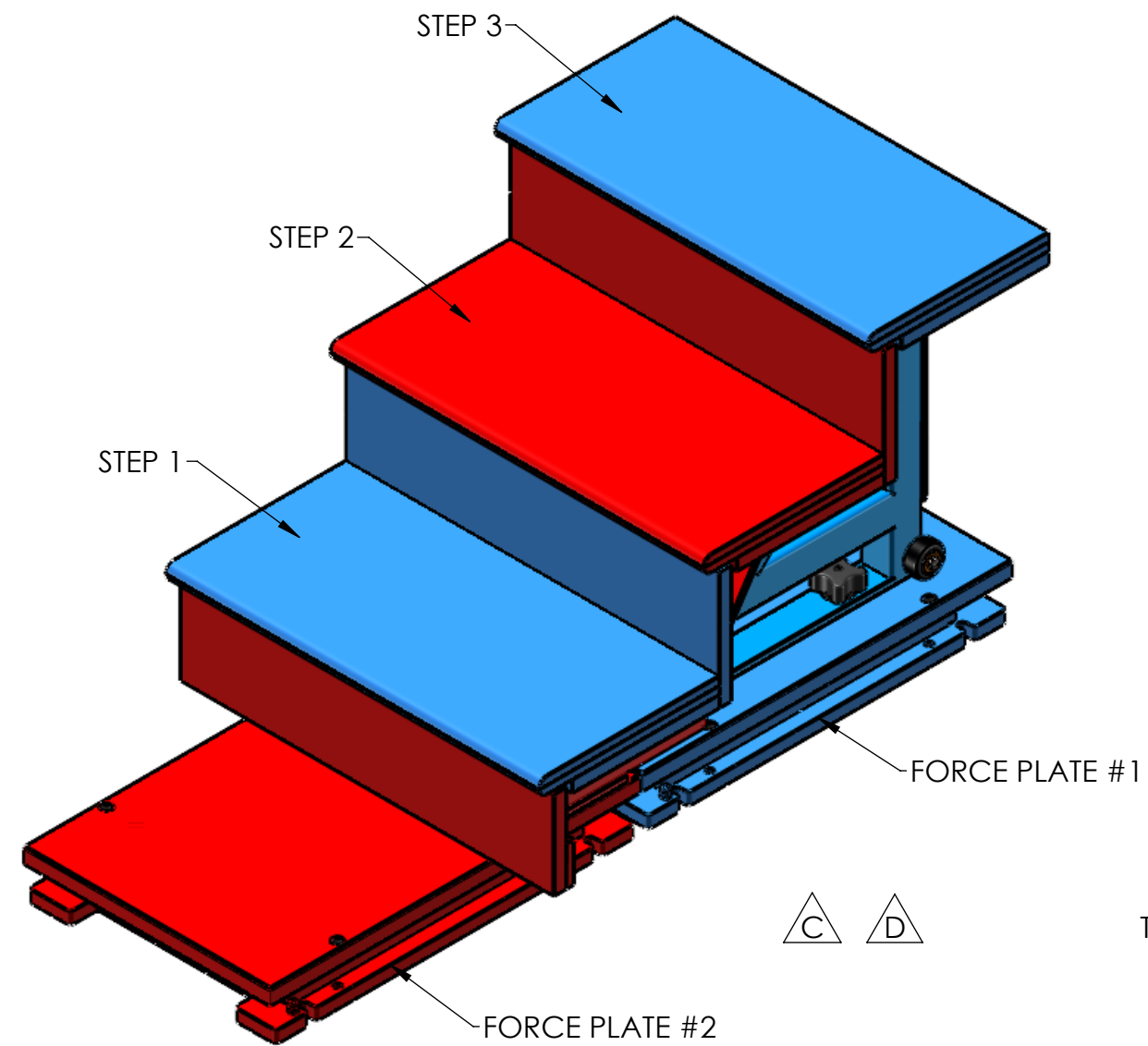


REVISIONS				
ECO	REV.	DESCRIPTION	DATE	APPROVED
10771	A	ADDED WIDTH DIM & CLEANED UP DRAWING	05AUG2016	DRK
10794	B	ADDED TT-TOPS & PLATFORM ASSMS	06OCT2016	DRK
30401	C	UPDATED PLATFORM ASSYS	19FEB26	JTH
30411	D	FLIPPED FP1/FP2 LABELS	10APR26	JTH

FPSTAIRS

DESCRIPTION
 FPSTAIRS CONSIST OF 2 SEPARATE BUT INTERLACED STAIR STRUCTURES. THEY ARE SHIPPED PRE-ASSEMBLED AND INTERLACED, AND MUST BE MOVED TOGETHER. WHEELS AT THE REAR END OF 2ND STAIR STRUCTURE ARE INTENDED TO AID IN MOVING AND POSITIONING THE STAIRS.

INSTALLATION
 EACH STAIR STRUCTURE IS MOUNTED TO ITS OWN FORCE PLATE. TO COMPLETE FPSTAIRS INSTALLATION POSITION EACH STAIR STRUCTURE SO THAT THE HAND SCREWS ARE OVER THE HOLES IN THE FORCE PLATES AND LIGHTLY TIGHTEN. ALIGN SIDES FACES OF STAIR TREADS AND ADJUST THE POSITION OF THE 2 STRUCTURES SO THAT THE GAPS BETWEEN STAIR RISERS AND ADJACENT STAIR TREADS ARE COMPARABLE. TIGHTEN THE HAND SCREWS.



STEP 1 REGISTERS ON FORCE PLATE 1
 STEP 2 REGISTERS ON FORCE PLATE 2
 STEP 3 REGISTERS ON FORCE PLATE 1

UNLESS OTHERWISE SPECIFIED:	
DIMENSIONS ARE IN INCHES	
TOLERANCES:	
DECIMALS	ANGLES
.X ± .030	±1/2°
.XX ± .015	
.XXX ± .005	
FRACTIONAL ± 1/32	
SURFACE FINISH 63	
INTERPRET GEOMETRIC TOLERANCING PER: ANSI Y14.5 2009	
MATERIAL:	--
FINISH:	--
DO NOT SCALE DRAWING	

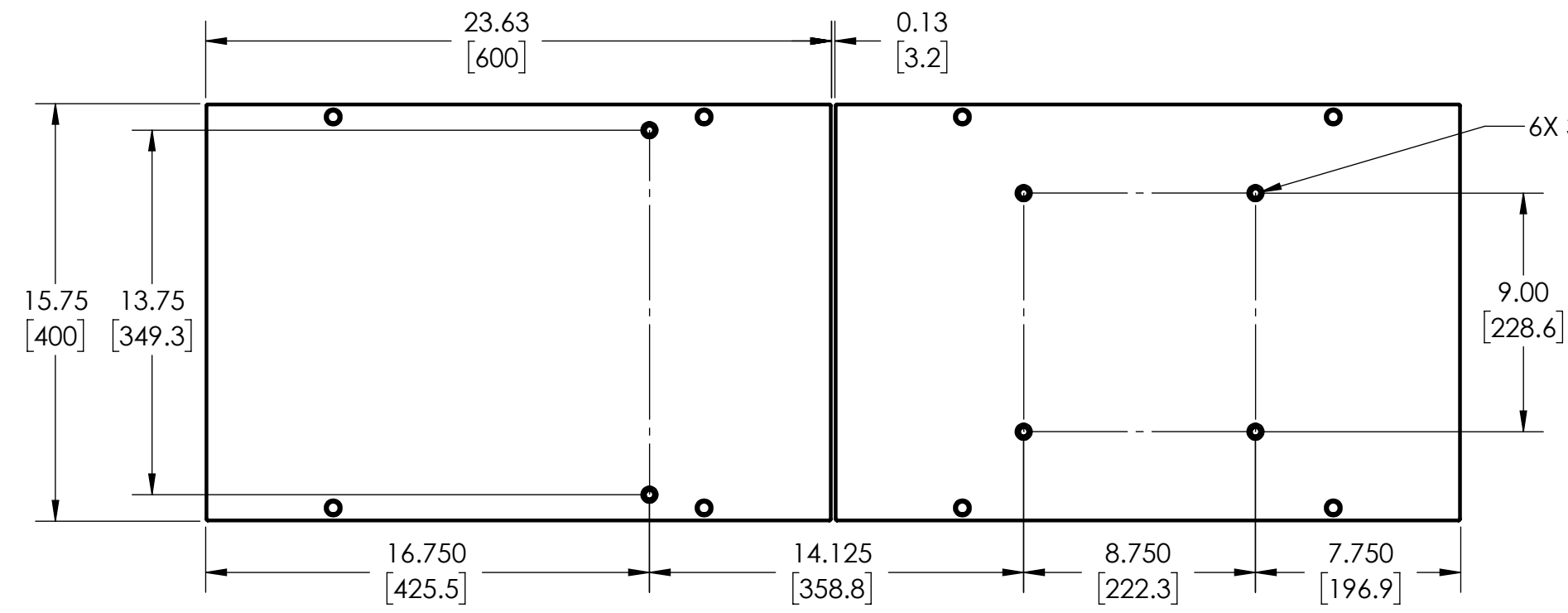
NAME	DATE
CLH	10/02/13
ENG APPR.	CLH 10/02/13
PURCHASING:	
COMMENTS:	
Update MRP	

AMTI		
TITLE: FPSTAIRS		
BP400600 ASSEMBLY		
SIZE	DWG. NO.	REV
B	24N-34963	D
SCALE: 3:1		WEIGHT:
		SHEET 1 OF 2

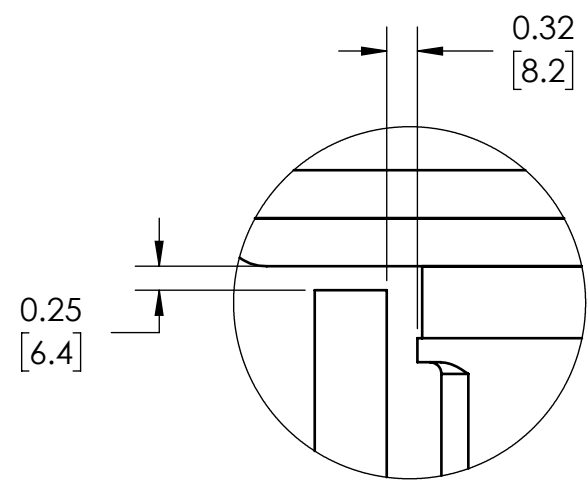
PROPRIETARY AND CONFIDENTIAL
 THE INFORMATION CONTAINED IN THIS DRAWING IS THE SOLE PROPERTY OF AMTI. ANY REPRODUCTION IN PART OR AS A WHOLE WITHOUT THE WRITTEN PERMISSION OF AMTI IS PROHIBITED.

PRINTED COPIES ARE NOT CONTROLLED UNLESS MARKED: INITIALS _____

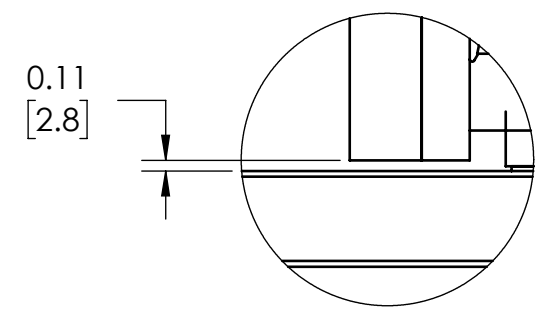
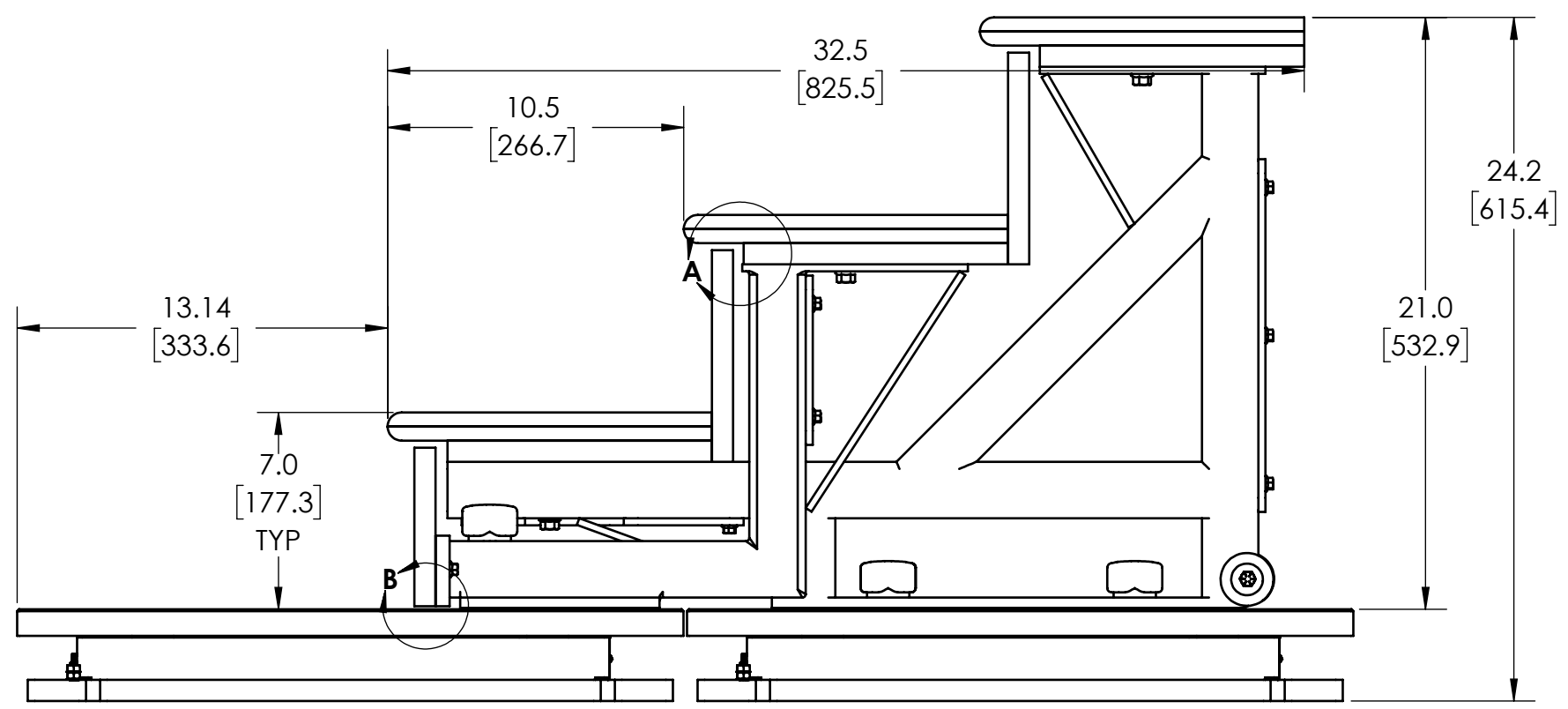
REVISIONS				
ECO	REV.	DESCRIPTION	DATE	APPROVED
--	A	SEE PAGE 1	--	--



**TOP OF PLATES
(STAIRS REMOVED)**



DETAIL A



DETAIL B

PROPRIETARY AND CONFIDENTIAL
 THE INFORMATION CONTAINED IN THIS DRAWING IS THE SOLE PROPERTY OF AMTI. ANY REPRODUCTION IN PART OR AS A WHOLE WITHOUT THE WRITTEN PERMISSION OF AMTI IS PROHIBITED.

AMTI		
TITLE: FPSTAIRS		
BP400600 ASSEMBLY		
SIZE: B	DWG. NO.: 24N-34963	REV: D
SCALE: 3:1		WEIGHT: SHEET 2 OF 2

PRINTED COPIES ARE NOT CONTROLLED UNLESS MARKED: INITIALS _____