

# Audo



## PASSAGE COUNTER STOOL Designed by *Krøyer-Sætter-Lassen*

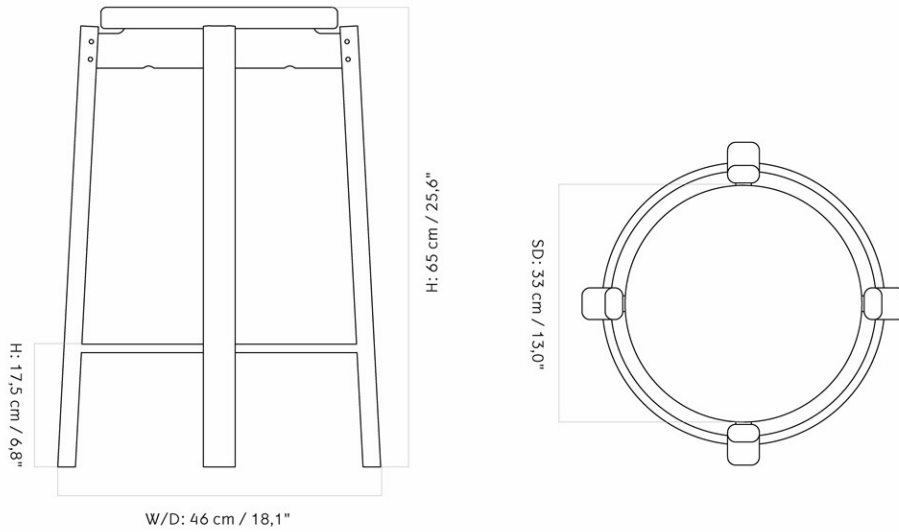
---

**DESCRIPTION** The Passage Counter Stool is available in natural oak and dark stained oak and features a steel footrest. The stool is stackable.

---

<b>SKU</b>	71276-017381	<b>COUNTRY OF ORIGIN</b>	China
<b>EAN</b>	5709262295289	<b>MATERIALS</b>	Steel, Solid Oak
<b>FOOTREST MATERIAL</b>	Steel, Solid, Stainless	<b>CO2e</b>	For any inquiries, please contact your local Sales representative
<b>UN-UPHOLSTERY MATERIAL</b>	Oak, Solid, Dark Stained	<b>WARRANTY</b>	10 years ( <a href="#">Download</a> )
<b>UPHOLSTERY TYPE</b>	Un-Upholstered	<b>CARE INSTRUCTIONS</b>	<a href="#">Un-Upholstery Material</a>
<b>DESIGNER</b>	Krøyer-Sætter-Lassen	<b>ASSEMBLY INSTRUCTIONS</b>	<a href="#">Download</a>
<b>DESIGN YEAR</b>	2021		
<b>PRODUCT TYPE</b>	Counter Stool		
<b>ENVIRONMENT</b>	Indoor		

# Audo



## PASSAGE COUNTER STOOL Designed by *Krøyer-Sætter-Lassen*

---

### TECHNICAL SPECIFICATIONS

---


<b>DIMENSIONS</b>	Seat Height: 65 cm Seat Depth: 33 cm Feet Height: 17,5 cm Product Height: 65 cm Product Width: 46 cm Product Depth: 46 cm
<b>NET WEIGHT</b>	6 kg
<b>GROSS WEIGHT</b>	7,2 kg
<b>PACKAGING TYPE</b>	Brown Box
<b>PACKAGING MEASUREMENTS</b>	H x W x D 15 cm x 55 cm x 75 cm
<b>PRODUCTION PROCESS</b>	CNC-cut solid wood.

# Audo

## PASSAGE COUNTER STOOL Designed by *Krøyer-Sætter-Lassen*

### SAMPLES

Explore available material samples to experience the product's finishes in your own space, easily ordered through our website or the B2B portal.

SAMPLES	VARIANT	SAMPLE SKU
	<i>Wood - Oak, Solid, Oiled, Natural</i>	71155-000084

### SPARE PARTS

Find relevant spare parts for this product to support long-term maintenance.

SPARE PARTS	VARIANT	SPARE PART SKU
<i>Spareparts</i>	<i>Passage Counter/Bar Stool Mount Kit</i>	81111017535
<i>Spareparts</i>	<i>Passage Stools &amp; Table Felt Pads</i>	81111017537