



SDR190

### Features and Benefits

- Standard galvanized drum with large diameter
- Large door opening for easy loading & unloading
- Eco Version: all dryers are available with reduced kw heating element
- Radial And Axial Airflow: for maximal heat transfer, low energy consumption and short drying time

### Options

- Coin operated
- Stainless steel front
- Reversing drum
- Double door glass and insulation
- Residual moisture control Sensodry:
  - safe drying of delicate linen
  - humidity detection in %
  - ideal in combination with SoftWash®
  - ideal for dry cleaners, fire depts
  - available on Easy and Full Control
- WiFi kit - to order through Accessories

### Control

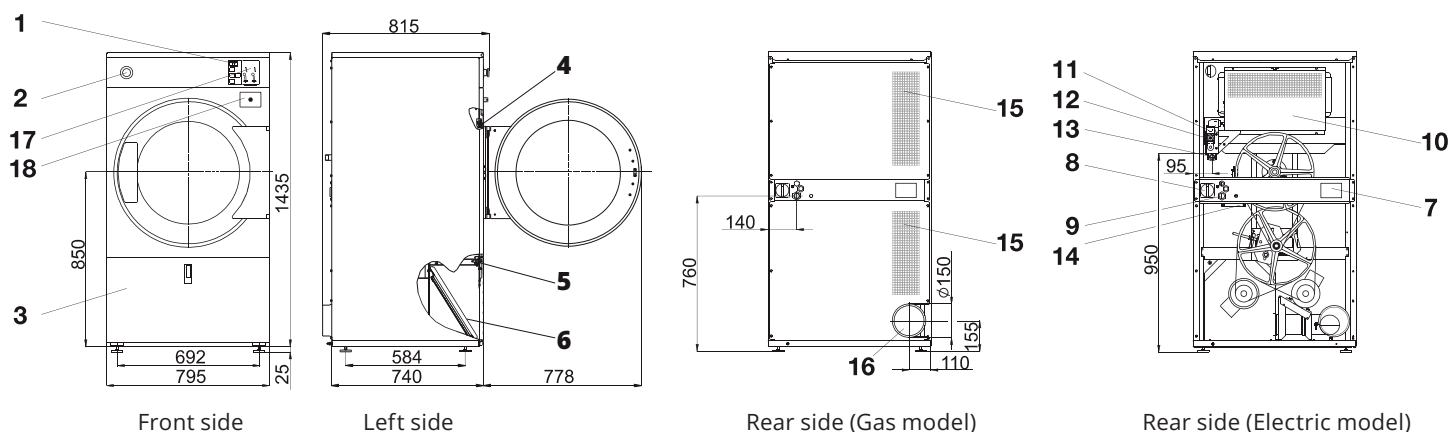
- Easy - To - Use Microprocessor (ECT) - intuitive control with simple selection of 3 programs
- Full Control Programmer (FCT) - fully programmable timer with possibility of residual moisture control



# Tumble Dryer

SDR190		
<b>CAPACITY</b>		
Capacity 1:18	kg (lb)	9(20)
Capacity 1:22	kg (lb)	8(18)
Drum volume	l	190
Drum diameter	mm	Ø 760
<b>AIRFLOW</b>		
DRYING AVERAGE	l/min.	0,150
<b>MOTORS</b>		
Fan	kW	0,37
Drive	kW	0,18
<b>GAS HEATING</b>		
Gas connection	inch	1/2"
Electrical connection		3x380 - 415V 50/60Hz, 3x220 - 240V 50Hz 3x208 - 240V 60Hz, 3x440V 60Hz
Energy	kW	12,5
	kBTU/h	42,7
<b>ELECTRICAL HEATING</b>		
Electrical connection		3x380 - 415V 50/60Hz 3x220 - 240V 50Hz 3x208 - 240V 60Hz, 3x440V 60Hz 3x480V 60Hz
Energy	kW	9/12
<b>EXHAUST</b>		
EXHAUST	mm	Ø 200
<b>DIMENSIONS</b>		
H×W×D	mm	1465x795x815
Net weight	kg	170
<b>TRANSPORT DATA</b>		
Packed H×W×D	mm	1570x880x885
Gross weight	kg	180

The data concerning dimensions of machines include all extended parts



- |                                                                       |                                        |                                          |
|-----------------------------------------------------------------------|----------------------------------------|------------------------------------------|
| 1. Programmer                                                         | 7. Name plate                          | 14. Airflow switch                       |
| 2. Emergency stop button (not applicable for version with coin meter) | 8. Main switch                         | 15. Suction                              |
| 3. Lint screen cover                                                  | 9. Main power supply                   | 16. Exhaust piping                       |
| 4. Door lock microswitch                                              | 10. Heating chamber                    | 17. Coin meter (version with coin meter) |
| 5. Lint cover microswitch                                             | 11. Gas valve (G models only)          | 18. Coin box (version with coin meter)   |
| 6. Lint screen                                                        | 12. Pressure regulator (G models only) |                                          |
|                                                                       | 13. Gas supply (G models only)         |                                          |