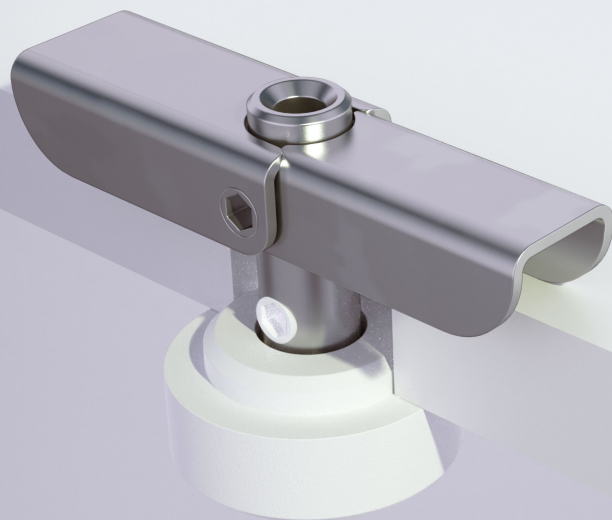


BROKIS®



# MINI TRIMLESS CONNECTION

CM18052



### COMPONENTS INCLUDED WITH UNIT:

1× dural nut  
1× tube with plastic set screw and retention tabs

### WARNING:

**Installation must be carried out by a qualified electrician only.**

**Switch off power at main circuit panel prior to installation!**

**The manufacturer assumes no liability for damage occurring in transport or resulting from incorrect installation.**



BROKIS®

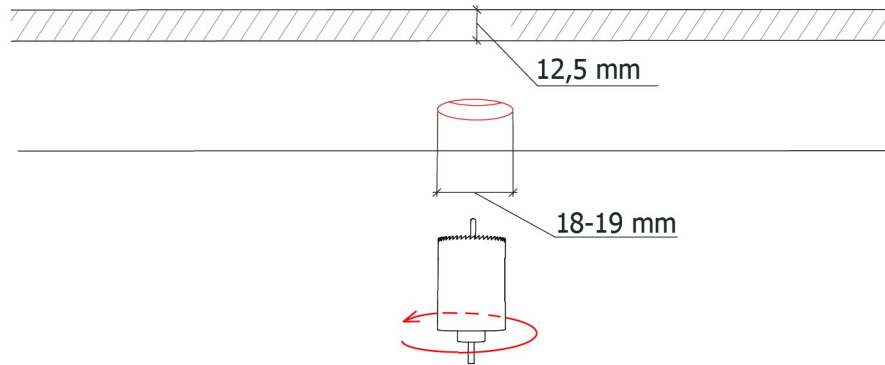
BROKIS S.R.O.  
ŠPANILOVA 1315/25  
163 00 PRAHA 6 - ŘEPY  
CZECH REPUBLIC

ORG. ID 64940799  
VAT ID CZ64940799  
C 42174 MĚSTSKÝ SOUD  
V PRAZE

TEL +420 567 211 517  
TECHNICAL@BROKIS.CZ  
INFO@BROKIS.CZ  
WWW.BROKIS.CZ

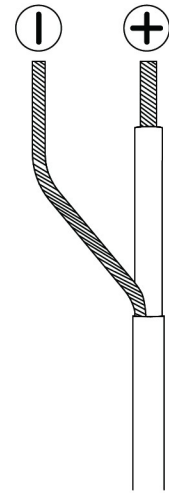
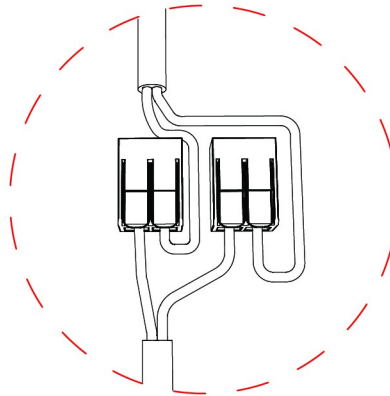
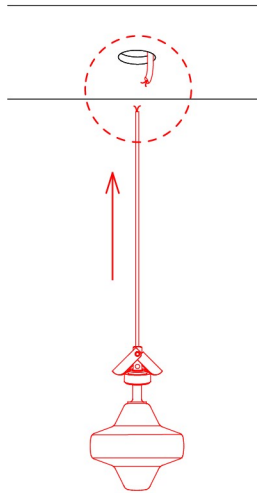
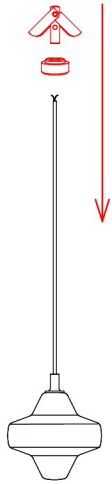
## 1. CUTTING THE OPENING

The MINI TRIMLESS system is intended for installation in drywall sheets with a thickness of 12.5 mm. Use an 18-19 mm circular drywall hole cutter and cut the opening



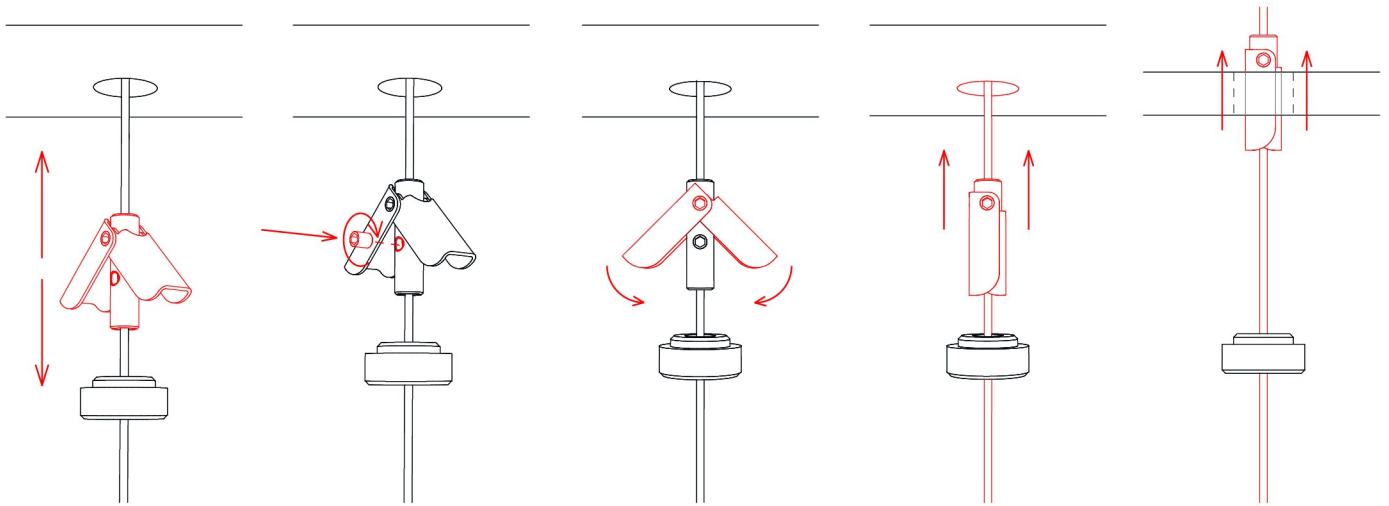
## 2. INSTALLING THE MINI TRIMLESS SYSTEM 1/3

Pass the power cable first through the dural nut and then through the tube with retention tabs. Connect the light according to the wiring diagram.



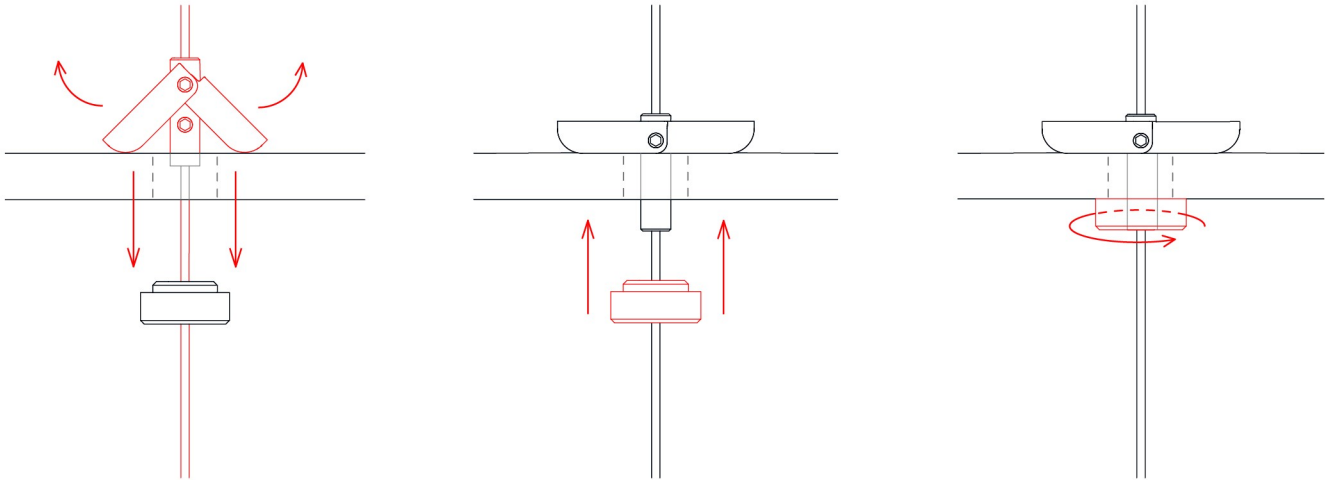
### 3. INSTALLING THE MINI TRIMLESS SYSTEM 2/3

Adjust the power cable to the required length and secure it in place with the plastic set screw in the tube with retention tabs. Use a flathead screwdriver to tighten. Compress the retention tabs and slide the entire component into the opening in the ceiling.



#### 4. INSTALLING THE MINI TRIMLESS SYSTEM 3/3

After inserting the tube with retention tabs into the opening, gently pull on the power cable to extend the tabs. If necessary, use a screwdriver or your fingers to fully extend the tabs. While gently applying downward pressure to the power cable, screw the dural nut onto the tube.



## 5. PENDENT LIGHT WITH MINI TRIMLESS

Test the light for proper function.

