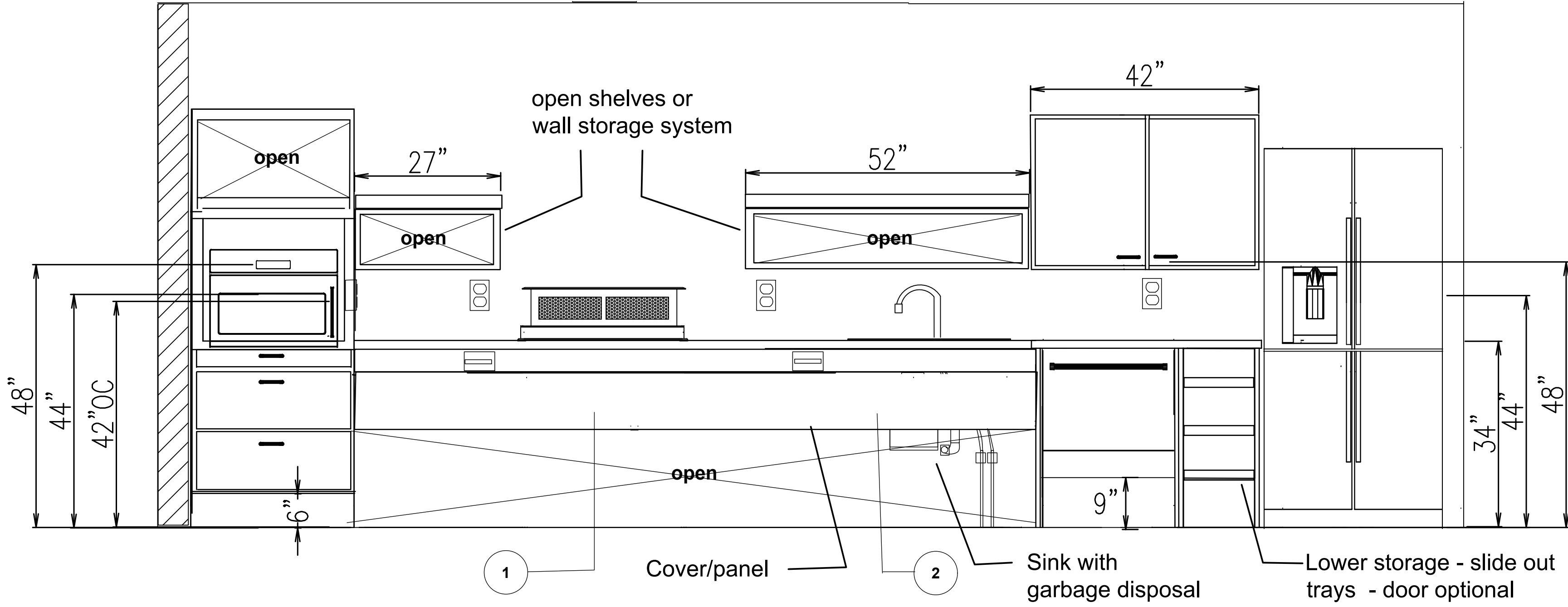
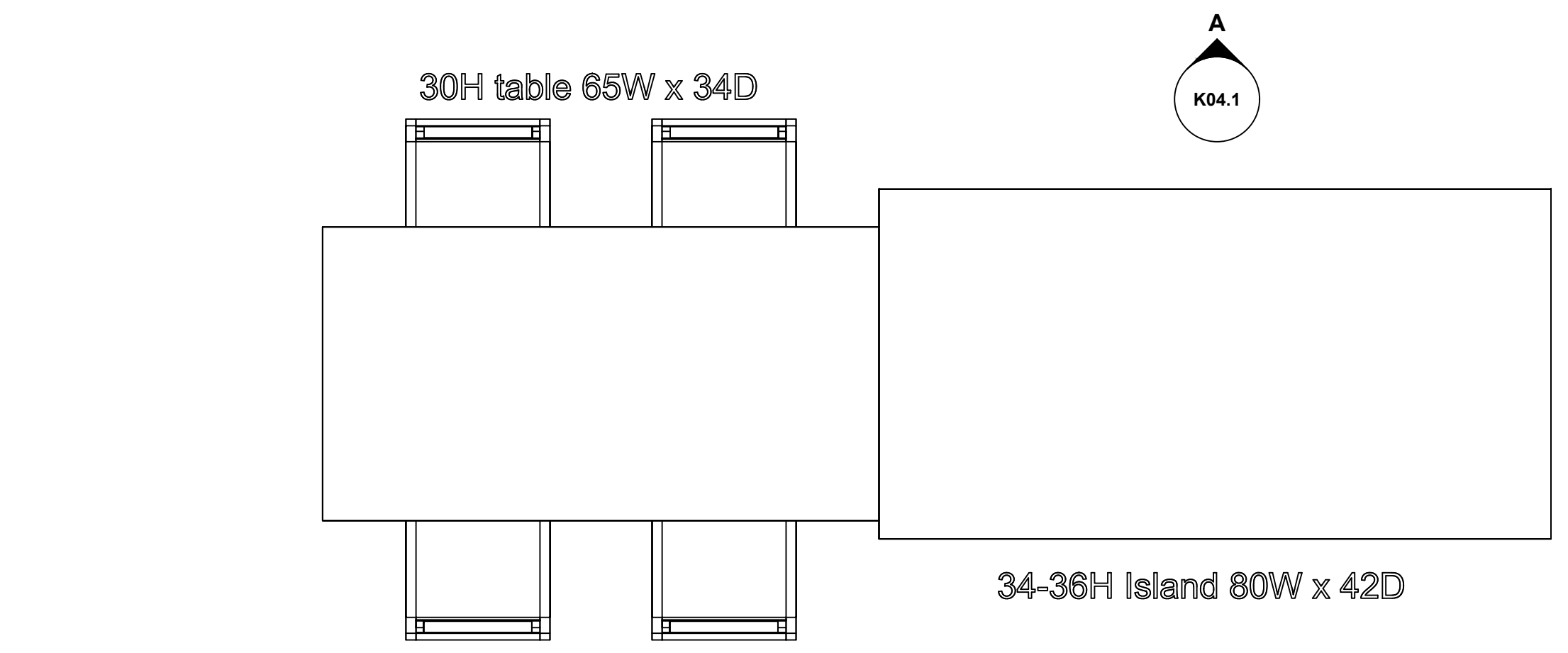
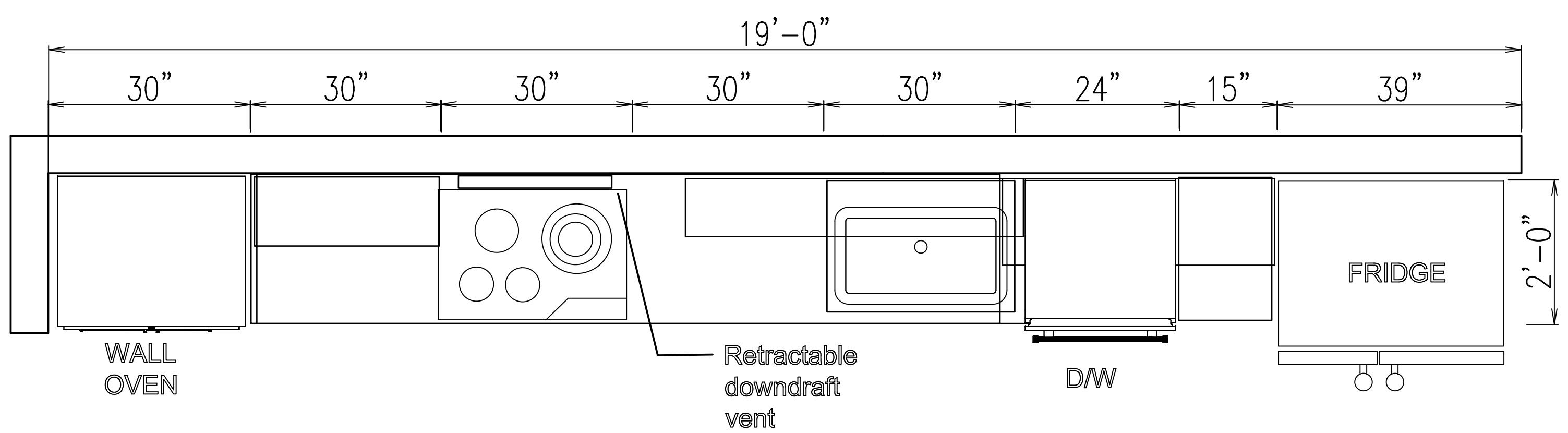


GENERAL NOTES

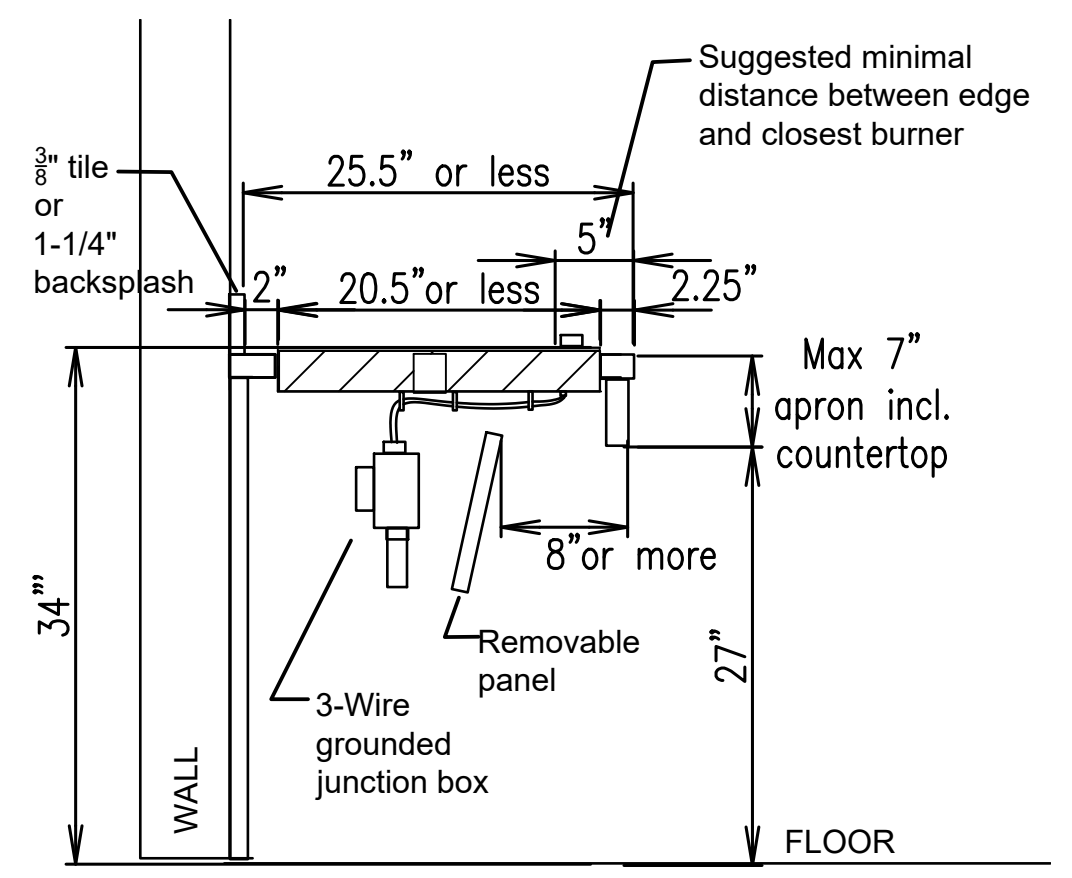
- DO NOT SCALE DRAWINGS. USE INDICATED DIMENSIONS ONLY.
- ALL DIMENSIONS INDICATED ARE FROM FACE OF FINISHED WALL U.N.O.
- ALL MOUNTING HEIGHTS INDICATED ARE TO TOP SURFACE OF FIXTURE FROM THE FINISHED FLOOR U.N.O.
- 34"H IS THE RECOMMENDED HEIGHT FOR ALL COUNTERTOPS. HOWEVER, TO ACCOMMODATE STANDARD APPLIANCES AND ALL USERS OF THE SPACE, 36" H IS ACCEPTABLE EXCEPT AT SINKS AND COOKTOPS, WHERE THEY SHOULD NOT EXCEED 34" H AFF TO THE TOP OF THE SURFACE AND NOT BE ANY LOWER THAN 32.5" AFF TO THE TOP OF THE SURFACE.
- KITCHEN APPLIANCES AND FIXTURES SHOWN ARE PLACEHOLDERS ONLY TO HOLD SPACE FOR SIZE AND LOCATION, EXACT SIZES NOR STYLES ARE BEING SUGGESTED. SEE ACCESSIBLE FEATURE REFERENCE GUIDE FOR OPTIONS.
- WHEN A MICROWAVE IS NOT SHOWN IN DRAWING ASSUME IT WILL BE PLACED ON COUNTER BEST POSITIONED FOR USER. PROVIDE ADDITIONAL OUTLET FOR EASY RANGE OF REACH.
- UPPER CABINET STORAGE IS SHOWN AS BOTH OPEN SHELVES OR TRADITIONAL CABINETS. IF TRADITIONAL CABINETS ARE INSTALLED, PLAN FOR ACCESSIBLE INSERTS TO BE PLACED. SEE ACCESSIBLE FEATURE REFERENCE GUIDE FOR OPTIONS.
- PULL OUT SHELF BELOW WALL OVEN IS BEST. WHEN IT IS NOT FEASIBLE, THERE MUST BE 30" WIDE SURFACE NEXT TO THE OVEN CABINET.
- VENTILATION - CONSIDER A DOWNDRAFT ON BACK OR SIDE OF COOKTOP FOR EASY RANGE OF REACH TO OPERATE. IF THIS IS NOT FEASIBLE FOR CONSTRUCTION CONSIDER HOOD OR VENT/FAN WHERE CONTROLS MEET THE RECOMMENDATIONS IN ACCESSIBLE FEATURE REFERENCE GUIDE.
- ELECTRICAL OUTLETS AND SWITCHES SHOWN IN THIS PROJECT ARE TO REFLECT THE RECOMMENDATIONS FOR LOCATION ONLY AND SHOW NEEDED KNEE CLEARANCES AT COOKTOPS. THESE ARE NOT RECOMMENDATIONS FOR TYPES OF RECEPTACLES. PLEASE COORDINATE WITH YOUR ELECTRICAL CONTRACTOR TO PROVIDE ELECTRICAL AND LIGHTING PLANS AND DETAILS REQUIRED BY MICHIGAN CODES. SEE ACCESSIBLE FEATURE REFERENCE GUIDE FOR RECOMMENDED HEIGHTS AND DISTANCES.
- LIGHTING SHOWN IN THIS PROJECT IS TO REFLECT THE RECOMMENDATIONS FOR LOCATION PER OUR FINDINGS FOR SPECIFIC NEEDS. PLEASE COORDINATE WITH YOUR ELECTRICAL CONTRACTOR OR LIGHTING SPECIALIST FOR ALL LIGHTING NEEDS. THE MOST COMMON NEED IS LIGHT UNDER UPPER CABINET OR SHELVING IN THE KITCHEN. SEE ACCESSIBLE FEATURE REFERENCE GUIDE FOR RECOMMENDED LIGHTING TYPES.
- PLUMBING; PLEASE COORDINATE WITH YOUR PLUMBING CONTRACTOR OR INSPECTOR FOR COMPLETE PLUMBING DIAGRAMS AND DETAILS. THE SINK DETAILS IN THIS PROJECT ARE ONLY VISUALS TO SHOW REQUIRED AND/OR NEEDED CLEARANCES UNDER THE SURFACE.
- FOR COVER PANELS TO HIDE PLUMBING CONSIDER A REMOVABLE PANEL ATTACHED WITH Z-CLIPS MOUNTED ON WALL CLEATS. CAN BE INSTALLED VERTICALLY OR ON AN ANGLE. IF PANEL IS NOT FEASIBLE CONSIDER SOFT UNDER LAVATORY PROTECTOR OR GUARD.
- ISLAND COULD BE A BUILT ELEMENT BY CONTRACTOR OR IT CAN BE A PRE-MANUFACTURED ITEM PURCHASED BY OWNER. SEE ACCESSIBLE FEATURES REFERENCE GUIDE FOR AN OPTION FOR OPTIMAL USABILITY.



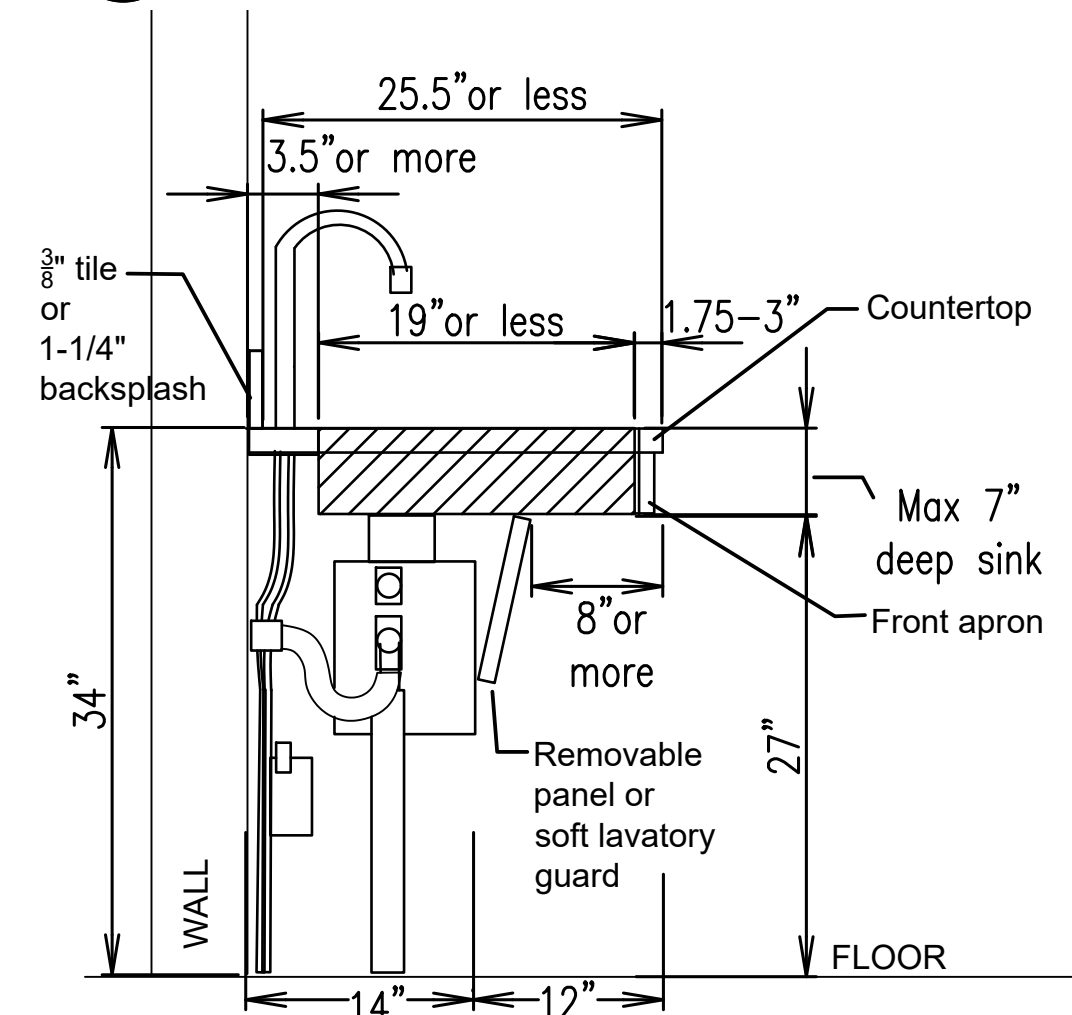
ELEVATION A
3/4" = 1'-0"



K04 FLOORPLAN
3/4" = 1'-0"

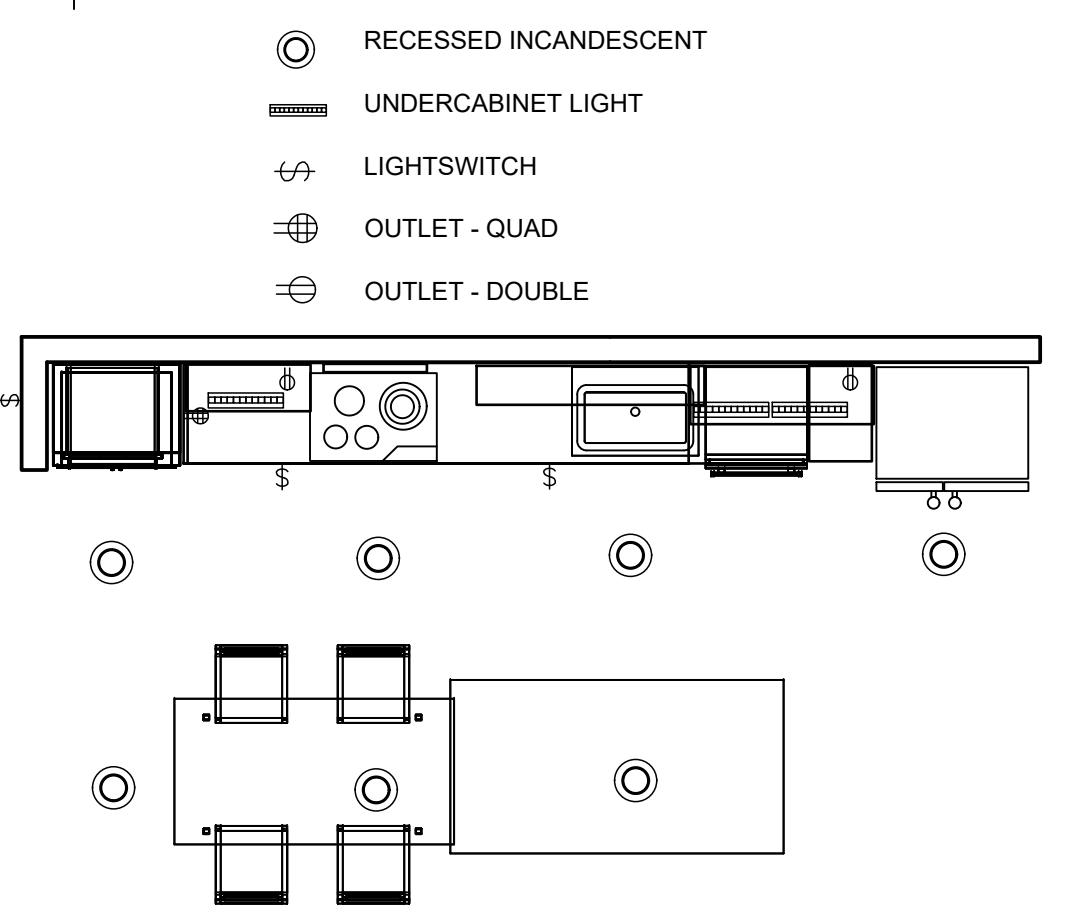


1 COOKTOP DETAIL
3/4" = 1'-0"

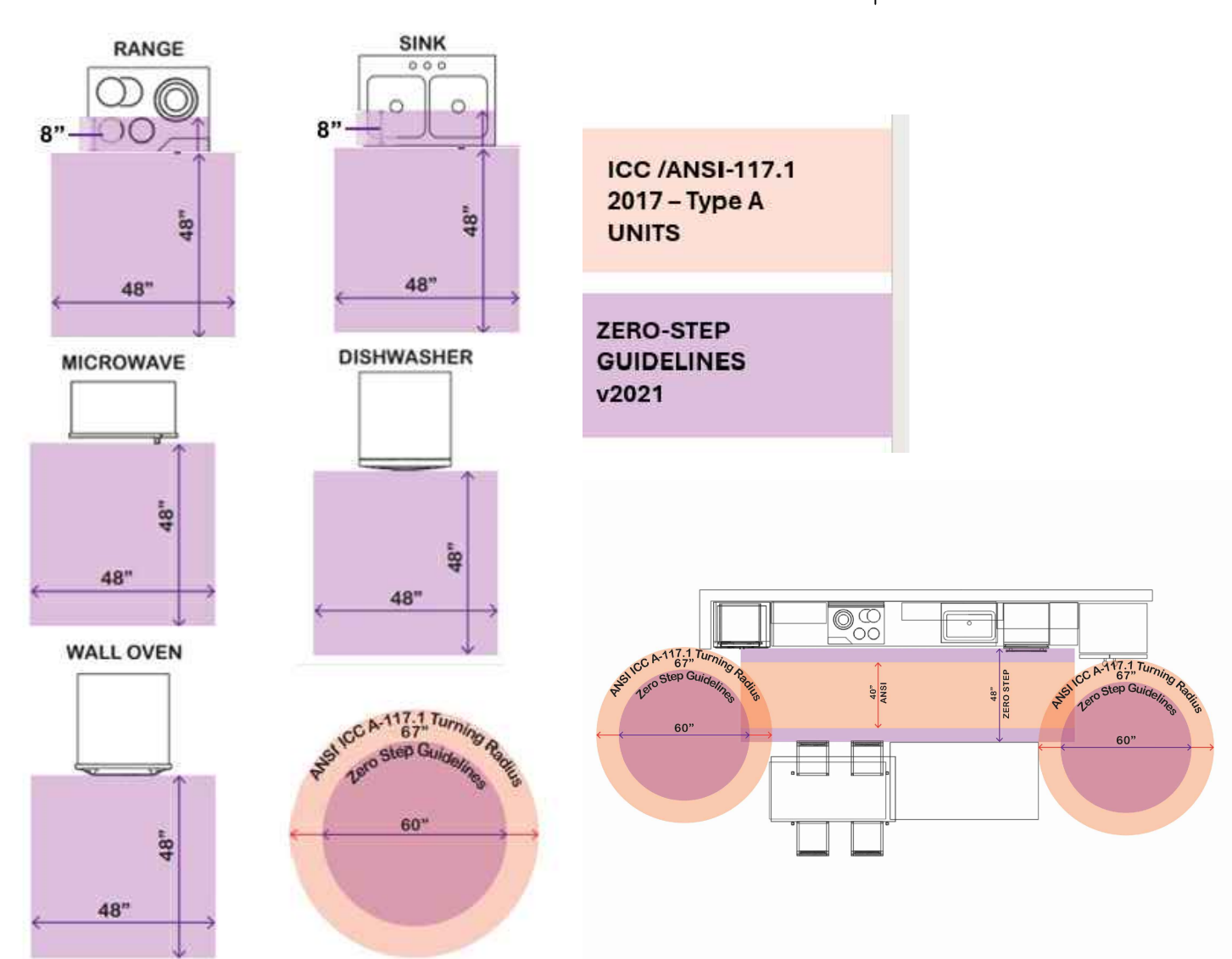


2 SINK DETAIL
3/4" = 1'-0"

ELECTRICAL COORDINATION



FLOOR CLEARANCE KEY



NOT FOR CONSTRUCTION