

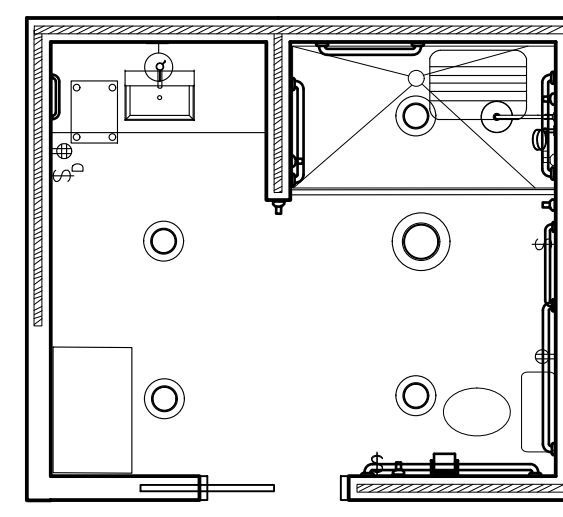
GENERAL NOTES

- DO NOT SCALE DRAWINGS. USE INDICATED DIMENSIONS ONLY.
- ALL DIMENSIONS INDICATED ARE FROM FACE OF FINISHED WALL U.N.O.
- HORIZONTAL SURFACE MOUNTING HEIGHTS INDICATED ARE TO TOP SURFACE OF FIXTURE FROM THE FINISHED FLOOR ("AFF") U.N.O.
- HORIZONTAL BARS ARE TO BE MOUNTED NO LOWER THAN 33" TO THE TOP OF FIXTURE ABOVE THE FINISHED FLOOR (AFF) AND NO HIGHER THAN 36" TO THE TOP OF THE FIXTURE AFF. THEY ARE CURRENTLY ALL PLACED AT 34" AFF IN THIS PROJECT FOR CONSISTENCY PURPOSES. SEE ACCESSIBLE FEATURE REFERENCE GUIDE FOR DIAGRAMS.
- ASSUME VERTICAL BARS ARE 18" IN LENGTH AND TO BE MOUNTED 3" FROM TOP OF HORIZONTAL BAR TO THE BOTTOM MOUNTING POINT OF VERTICAL BAR U.N.O. WHEN THERE IS NO HORIZONTAL BAR PRESENT THEN IT SHOULD BE LOCATED NO LOWER THAN 36" AND NO HIGHER THAN 39" AFF FROM ITS BOTTOM MOUNTING POINT. THIS ENSURES IT COORDINATES WITH BLOCKING BEHIND IT. SEE GENERIC BLOCKING ELEVATION BELOW AND ACCESSIBLE FEATURES REFERENCE GUIDE.
- BATHROOM FIXTURES SHOWN ARE PLACEHOLDERS ONLY FOR SIZE AND LOCATION. SEE ACCESSIBLE FEATURE REFERENCE GUIDE FOR PRODUCT AND FEATURE OPTIONS.

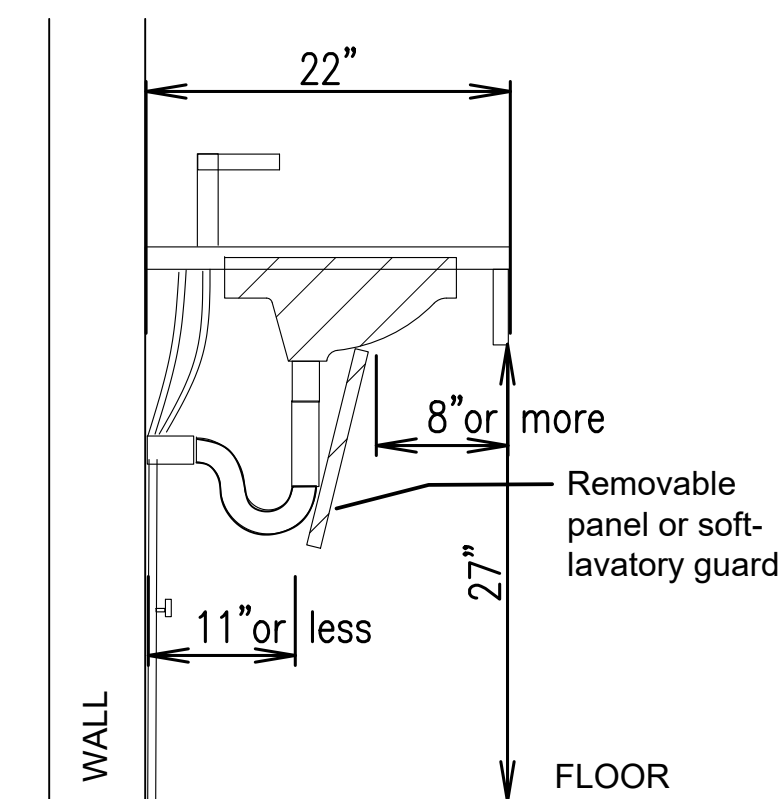
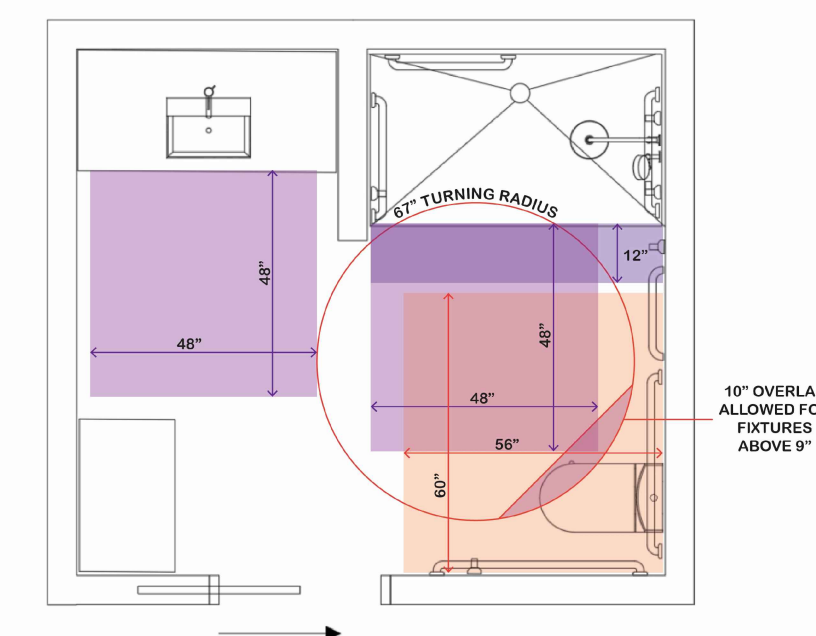
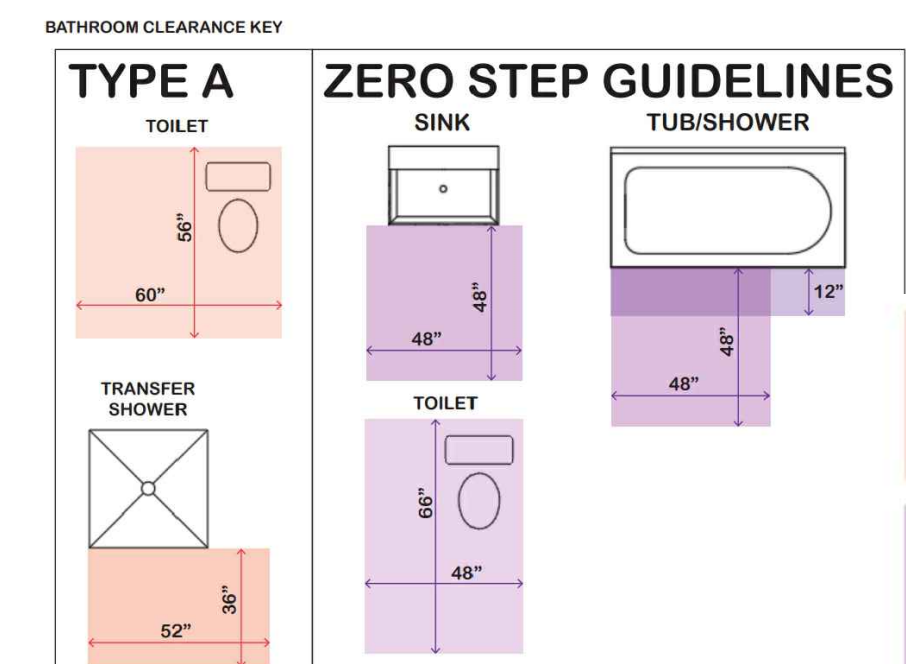
- ASSUME ALL TOWEL BARS AND TOILET PAPER HOLDERS WILL SERVE AS GRAB BARS. REINFORCEMENT BLOCKING IS REQUIRED AT THOSE LOCATIONS.
- DOORS - ALL DRAWINGS SHOW A POCKET OR SLIDER DOOR FOR OPTIMAL USE BY USER. IF THIS IS NOT FEASIBLE NOR DESIRED FOR PROJECT TYPE CONSIDER SWING AWAY HINGE FOR SWING DOOR. FOR ALL DOOR TYPES INSTALL LEVER OR BAR PULL. KNOBS AND RECESSED HANDLES ARE GENERALLY NOT RECOMMENDED.
- ZERO-STEP SHOWER - SEE ACCESSIBLE FEATURE REFERENCE GUIDE FOR PLANNING FOR ZERO STEP SHOWER.
- ELECTRICAL - ALL ELECTRICAL SYMBOLS SHOWN HERE ARE ONLY REFLECTING LOCATIONS OF POWER ACCESS, LIGHTS, AND THEIR CONTROLS FOR OPTIMAL RANGE OF REACH. PLEASE COORDINATE WITH YOUR ELECTRICAL CONTRACTOR TO PROVIDE ELECTRICAL / LIGHTING PLANS AND DETAILS REQUIRED BY MICHIGAN CODES. SEE ACCESSIBLE FEATURE REFERENCE GUIDE FOR RECOMMENDED HEIGHTS AND DISTANCES.
- PLUMBING - PLEASE COORDINATE WITH YOUR PLUMBING CONTRACTOR OR INSPECTOR FOR COMPLETE PLUMBING DIAGRAMS AND DETAILS. THE SINK DETAILS IN THIS PROJECT ARE ONLY VISUALS TO SHOW REQUIRED AND/OR NEEDED CLEARANCES UNDER SURFACES. CONSIDER FAUCET AND DRAIN WITH TRIP LEVER AND OVERFLOW, AND ANTI-SCALD PRESSURE-BALANCE
- FOR COVER PANELS TO HIDE PLUMBING CONSIDER A REMOVABLE PANEL ATTACHED WITH Z-CLIPS MOUNTED ON WALL CLEATS. CAN BE INSTALLED VERTICALLY OR ON AN ANGLE. IF PANEL IS NOT FEASIBLE CONSIDER SOFT UNDER LAVATORY PROTECTOR OR GUARD.

ELECTRICAL COORDINATION

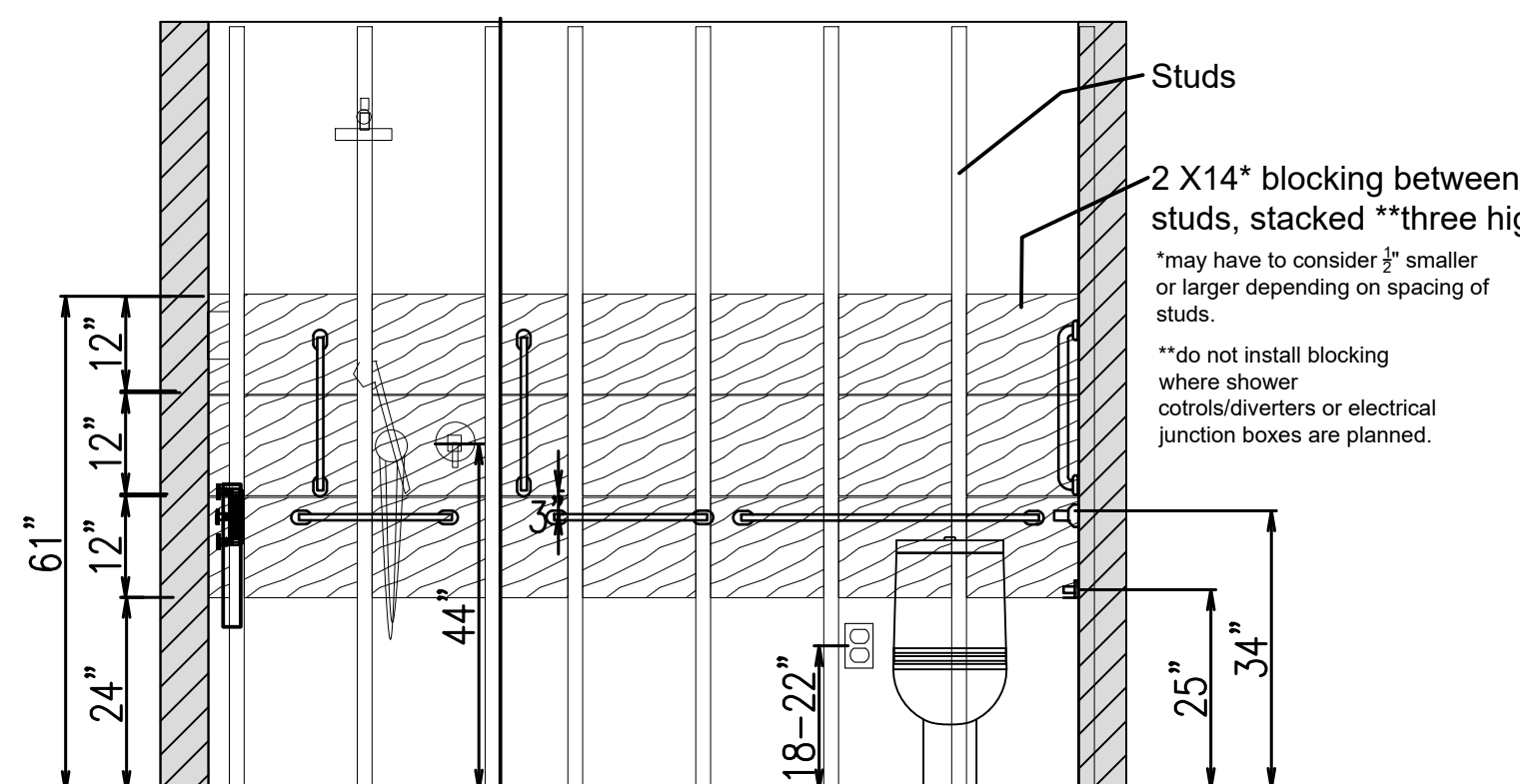
- RECESSED INCANDESCENT
- WALL MOUNTED LIGHT
- RECESSED HEAT LAMP
- LIGHTSWITCH - SINGLE
- OUTLET - QUAD
- OUTLET - DUPLEX
- LIGHTSWITCH WITH DIMMER



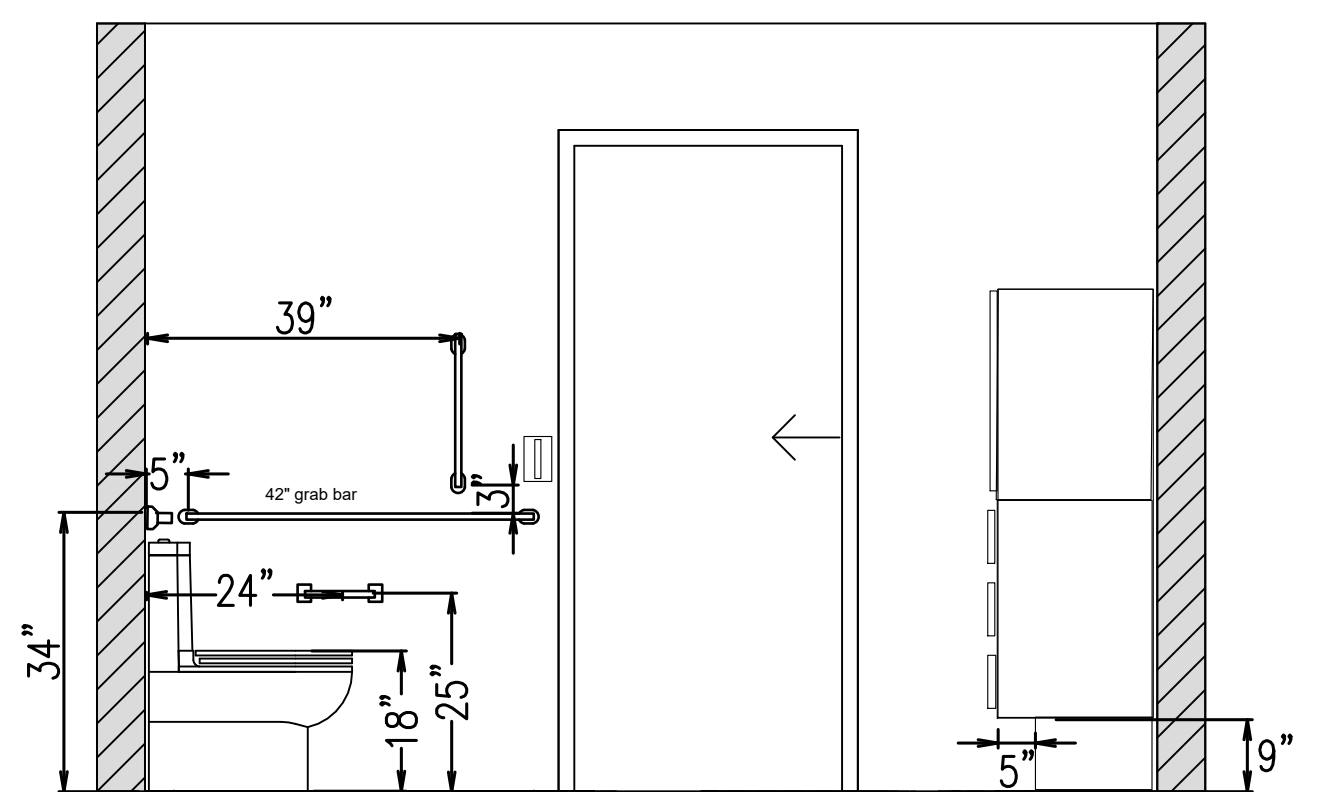
FLOOR CLEARANCE KEY



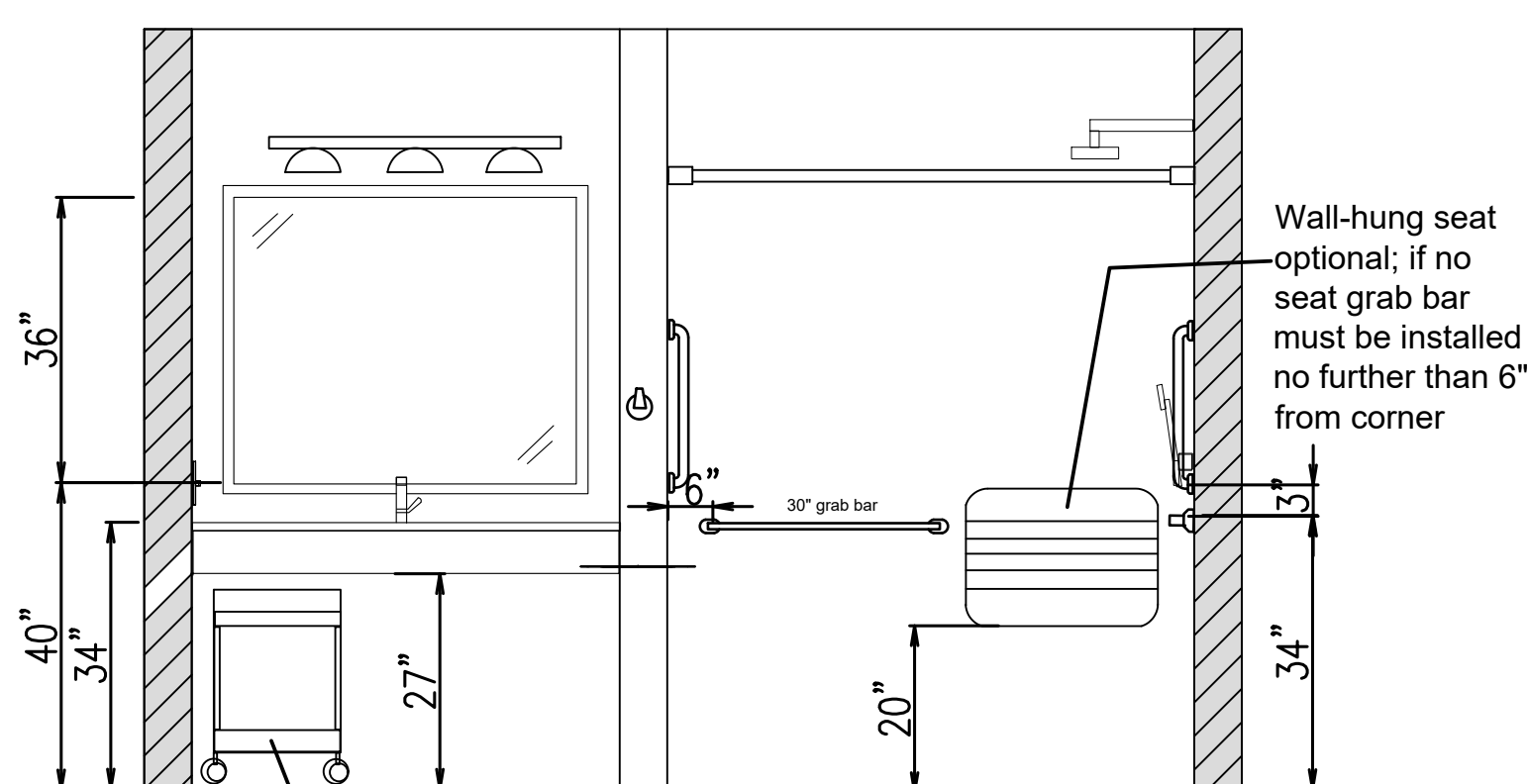
SINK DETAIL
3/4" = 1'-0"



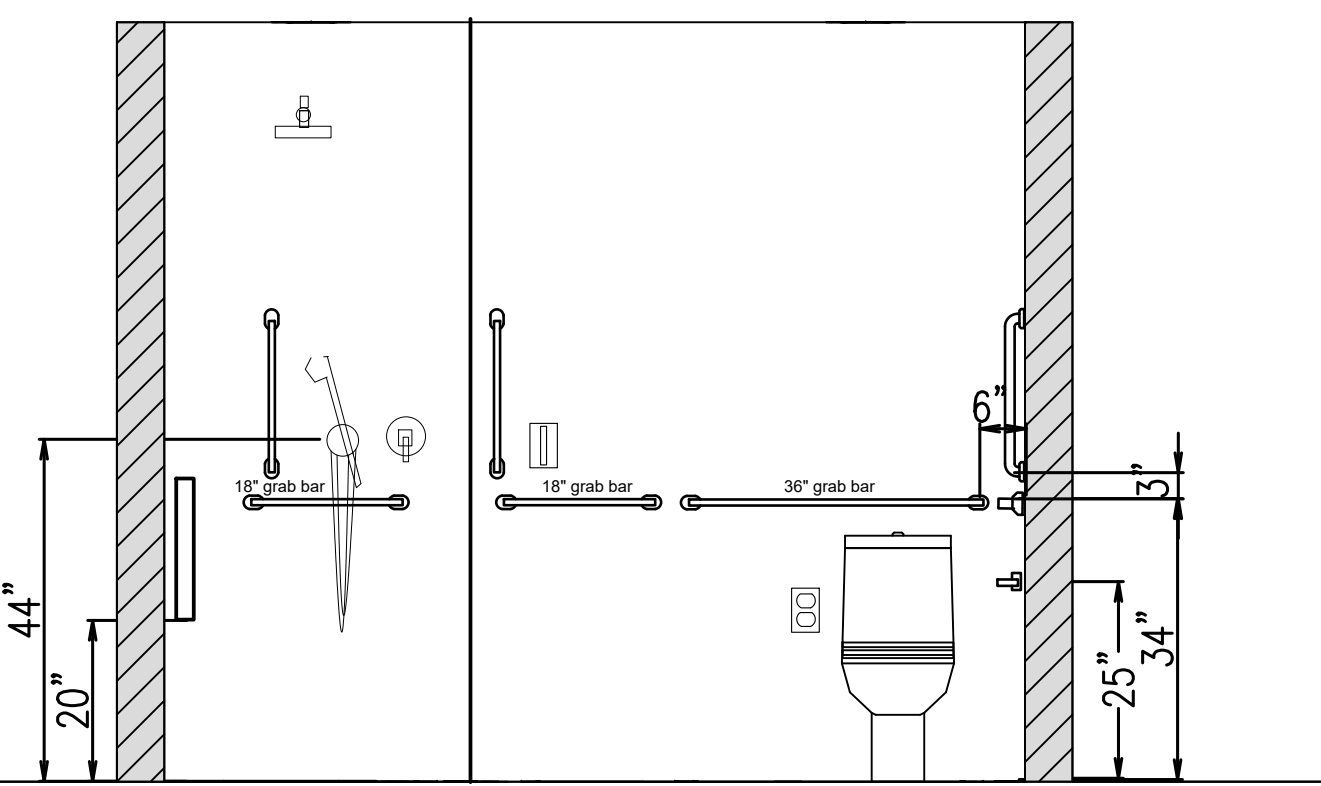
GENERIC BLOCKING ELEVATION
1/2" = 1'-0"



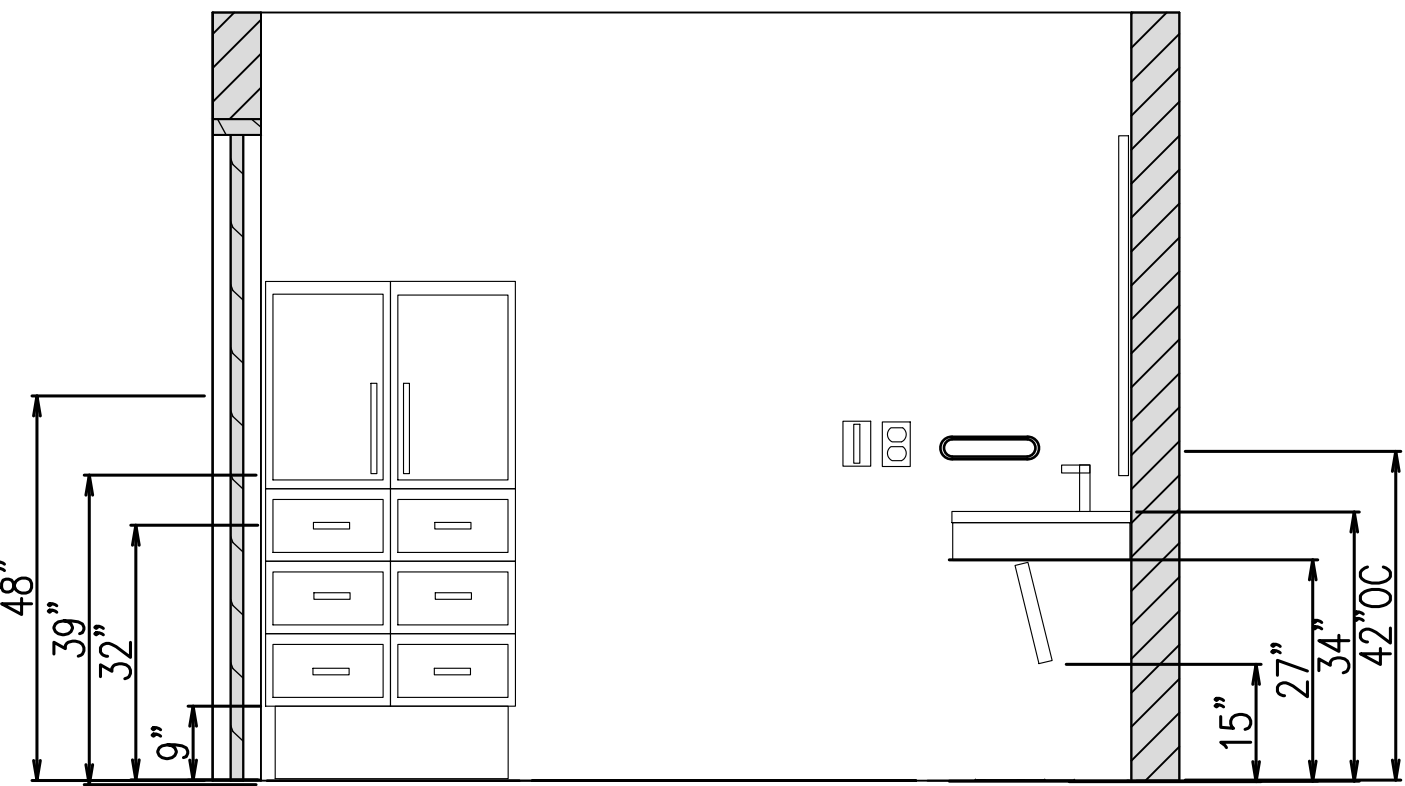
ELEVATION A
1/2" = 1'-0"



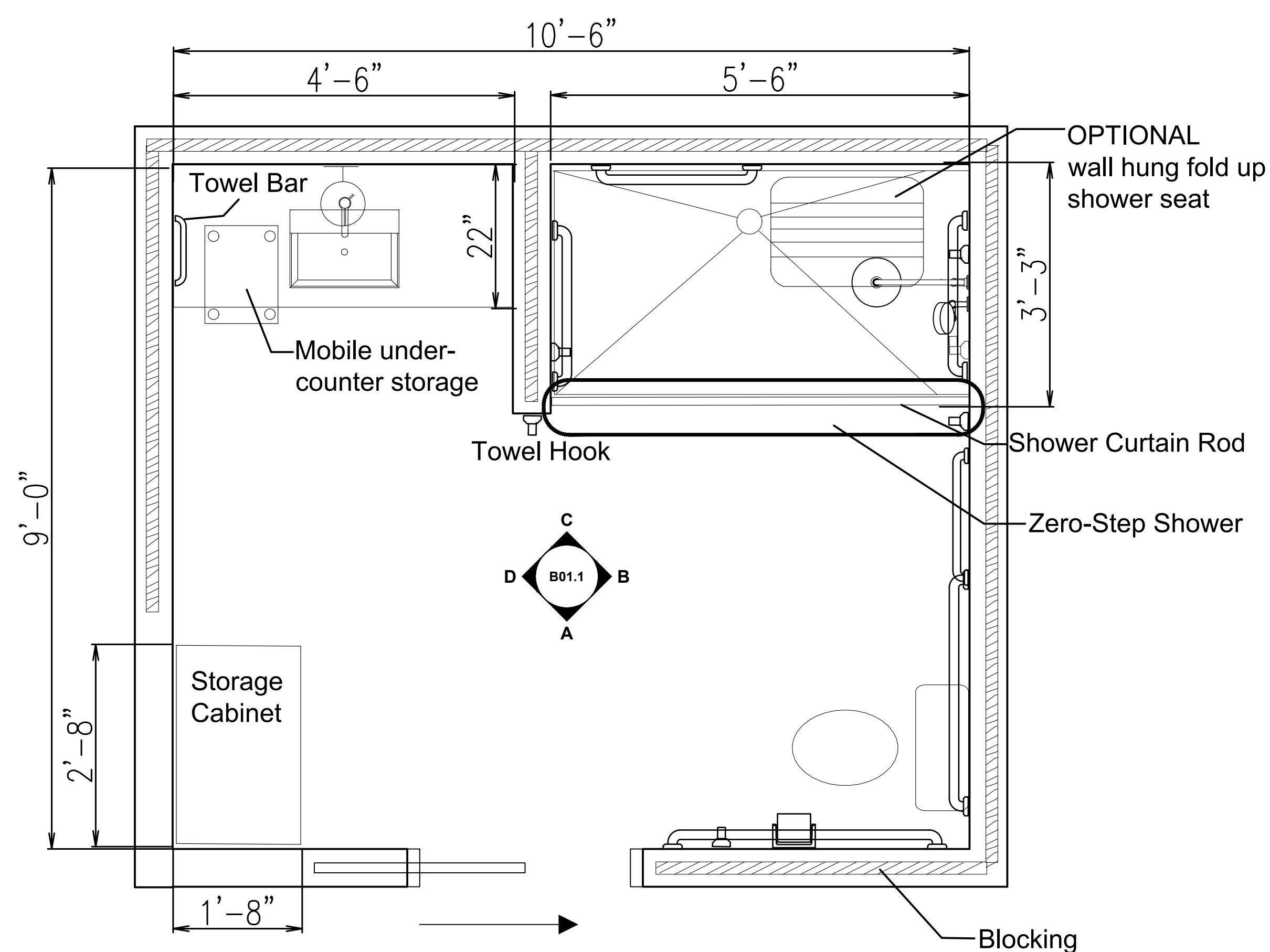
ELEVATION C
1/2" = 1'-0"



ELEVATION B
1/2" = 1'-0"



ELEVATION D
1/2" = 1'-0"



B01 FLOORPLAN
3/4" = 1'-0"

NOT FOR CONSTRUCTION