

MATRIX[®]
M I R R O R S



I N S T A L L A T I O N G U I D E

C L A S S I C / F U T U R E / D E C O / B R I G H T



MATRIX MIRRORS

Manufacture Location:

6464 Warren Dr, Norcross, GA 30093

Need Help with Installation ?

(678) 580-5717 (M-F 10AM-5PM ET)

admin@matrixmirrors.com

SAFETY, HANDLING, AND CARE INSTRUCTIONS

Safety Information

- Matrix Mirrors fixtures must be installed in accordance with all applicable national, state, and local electrical codes and by a licensed electrician.
- **TO AVOID THE RISK OF SHOCK OR FIRE, DISCONNECT POWER BEFORE INSTALLATION.**
- RECOMMENDED **TWO-PERSON** INSTALLATION. This is especially important for mirrors larger than 24×36 | For mirrors larger than 36×36, consider having a glass professional present for the installation.
- **NEVER** grasp the mirror chassis or glass by the corners; they are sharp and can cause injury.
- Matrix Mirrors hanging brackets **MUST BE INSTALLED INTO STUDS OR BLOCKING**. Sheetrock alone is insufficient; a mirror could fall if not properly installed in accordance with these instructions.
- Matrix Mirrors is not responsible for damage or injury incurred during the installation process or for problems that arise if its products should be installed by an unlicensed person. See the full Matrix Mirrors Warranty Statement and Terms and Conditions on matrixmirrors.com.

Handling Instructions

- **NEVER** place the mirror chassis or glass on any surface by any of the four corners. This can lead to damage or breakage.
- If the mirror must be removed from the wall, be sure to first disconnect the power, then remove the glass before dismantling the chassis.
- **DO NOT** place the glass down on any hard surfaces such as hardwood, tile, granite, concrete, vinyl, or linoleum.
- When storing the glass either during installation or removal, **always place two corners flush against the floor and two against a wall**. All surfaces should be covered by a soft barrier such as foam double walled cardboard, a towel, or a blanket. It is also possible to lay the glass completely flat against a soft surface.

SAFETY, HANDLING, AND CARE INSTRUCTIONS

Care Instructions

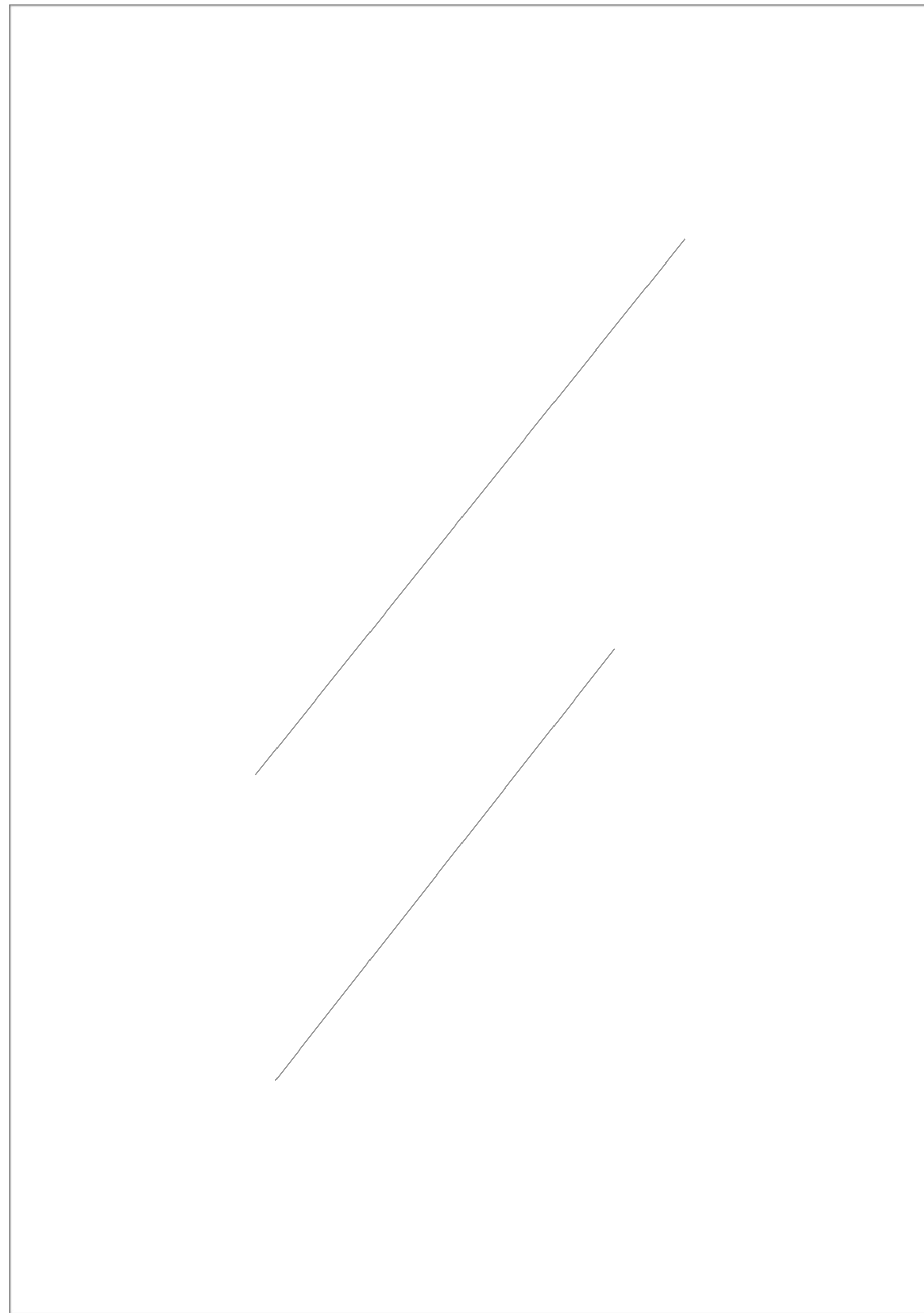
- If possible, **turn off the power** to the mirror before cleaning.
- Do not clean using abrasive cloths or paper towels as they can scratch the glass.
- **Do not spray chemicals or liquids** on any part of the mirror – particularly the sides or edges of the glass and the diffusers along the sides of the mirror chassis. To clean the glass, apply a glass cleaning agent to a non-abrasive or microfiber cloth, then gently wipe the glass and sides, being careful not to touch the corners of the glass or the chassis.
- **NEVER** apply pressure, pull down, or push up on the glass or chassis as this could cause injury or damage.
- No one other than a licensed and trained electrician should ever remove the mirror glass from the chassis or uninstall the chassis from the wall.

Before Installing

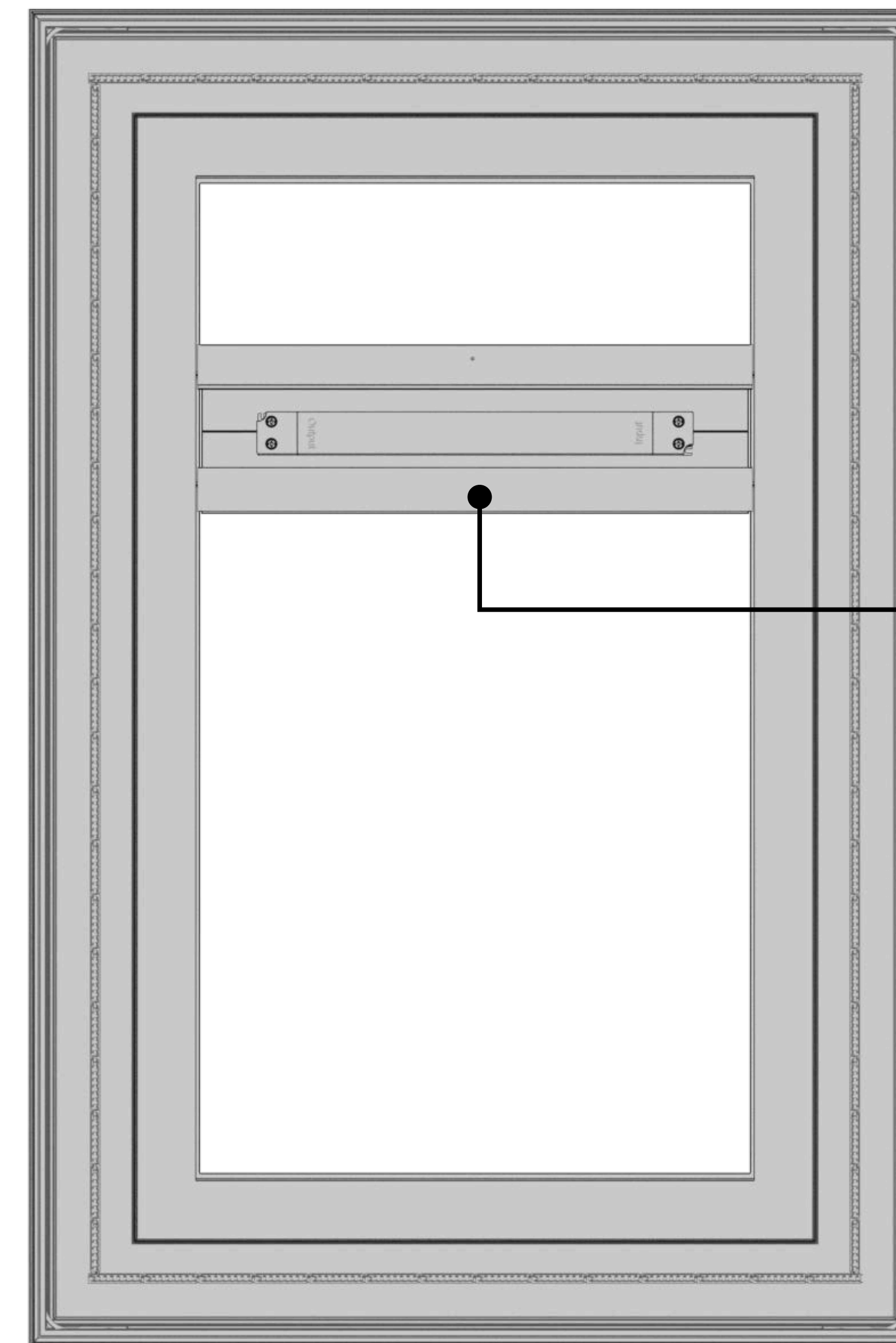
- Refer to the product specification sheets to determine where to place the junction box needed to install the product.
- Have a **soft material** such as moving blanket or cardboard available to **place the glass down on**.
- Contact the factory with any questions about installation.

INSTALLATION TIPS

- Chassis installs separately from Glass

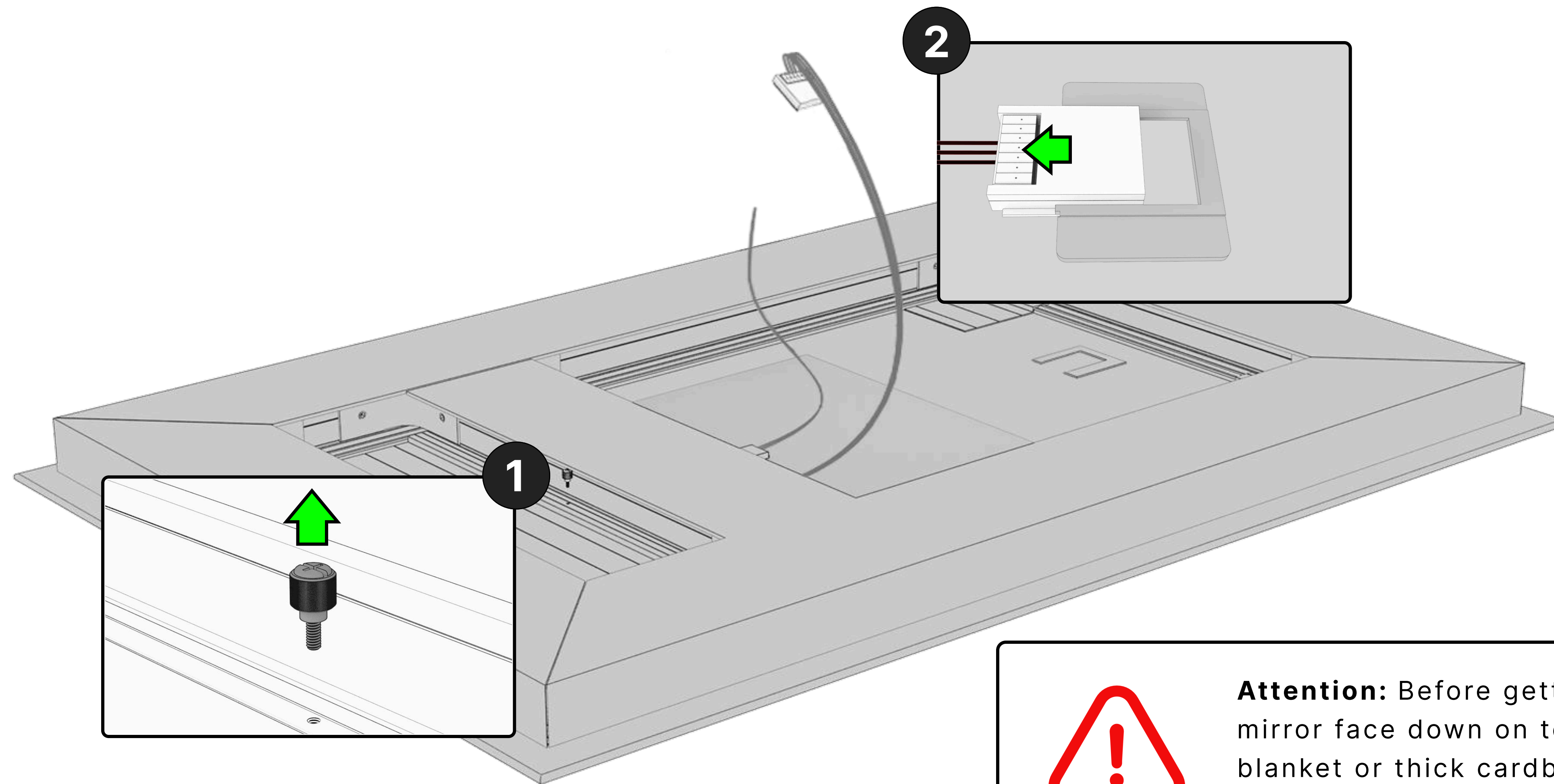


Glass



Chassis

STEP 01 Remove Shipping Screws & Disconnect Accessories

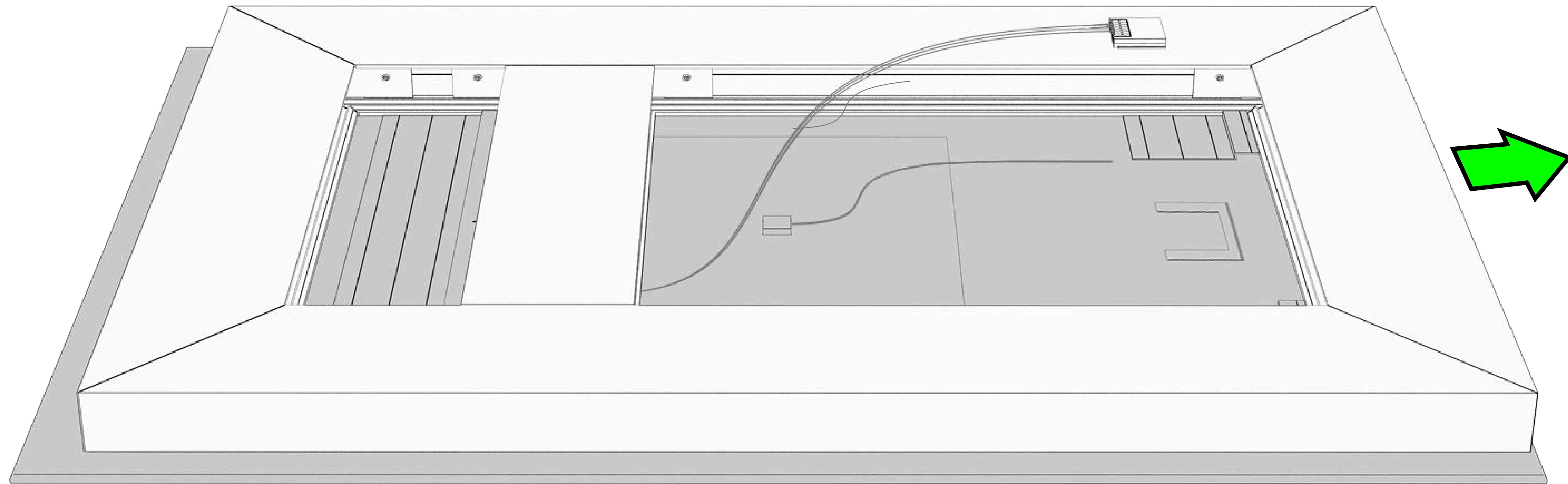


Attention: Before getting started, set the mirror face down on to a soft surface like a blanket or thick cardboard. Hard surfaces can scratch, chip, or crack the glass.

➤
1 Locate the **1-2 thumbscrews** holding the chassis to the glass. These are for shipping and are not needed for installation.

➤
2 Slide the **touch sensor** out from its clip (optional accessories may not be present).

STEP 02 Slide Off Chassis from Glass

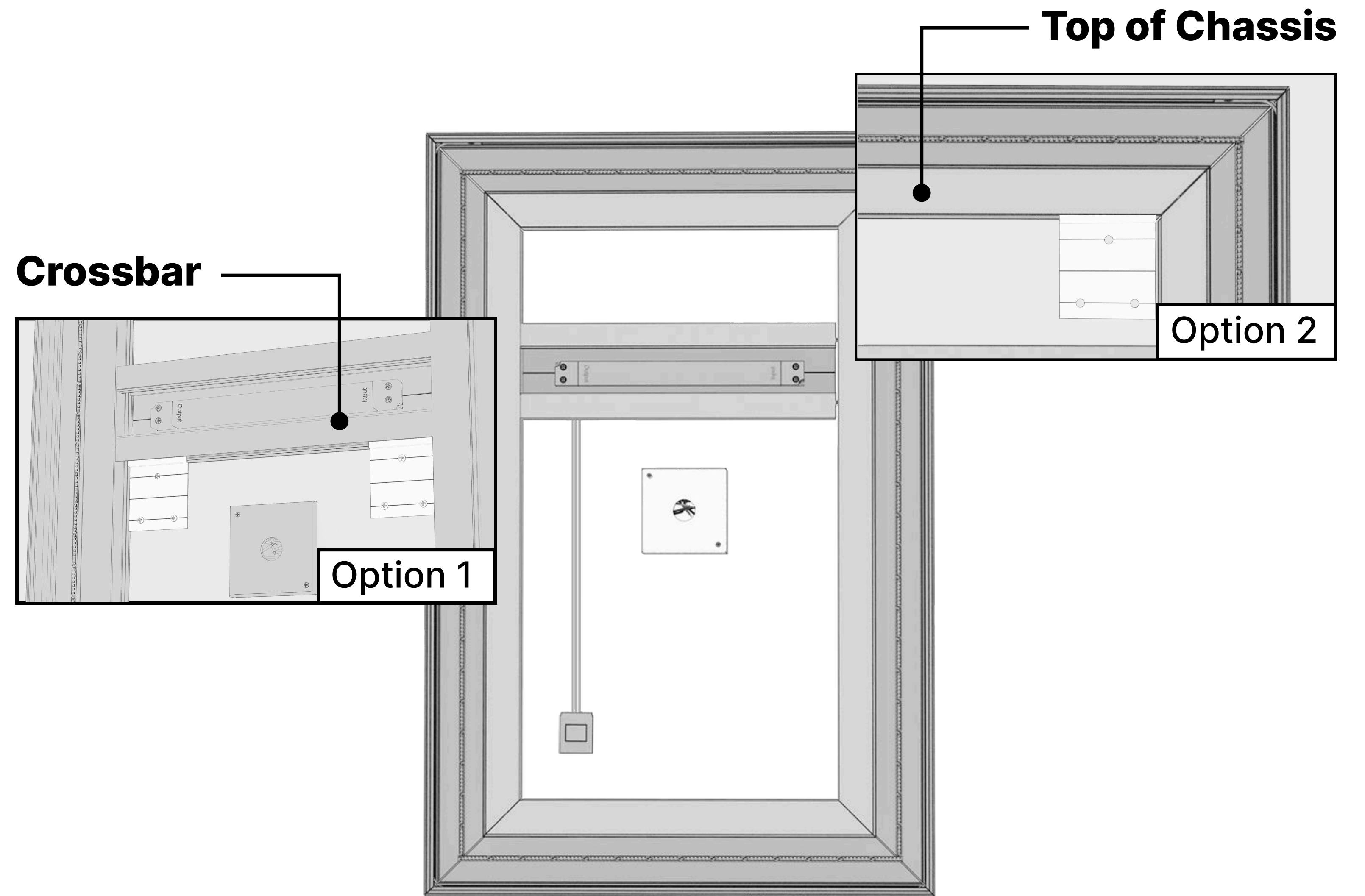
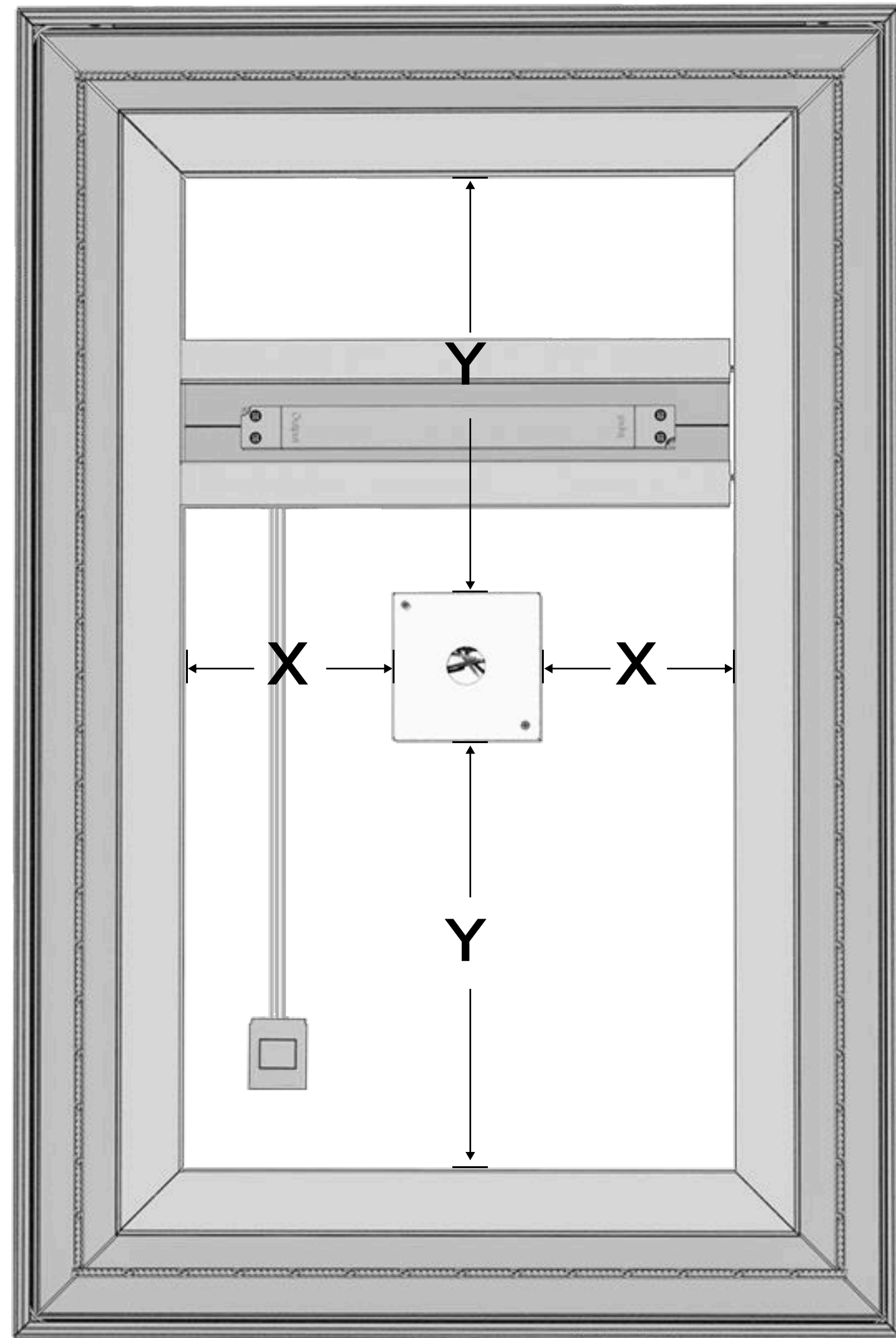


- After removing **the chassis**, set it aside and leave **the glass** resting safely on a soft surface.

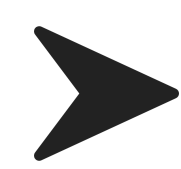
STEP 03 Place Back Chassis



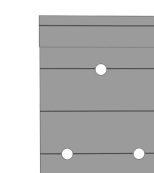
STEP 04 Determine Bracket Placement



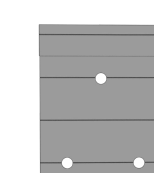
- Hold **the chassis** against the wall, using it as a reference to center the **junction box**.



- Use the chassis as reference to determine **bracket placement**.



Option 1: Hang from crossbar.



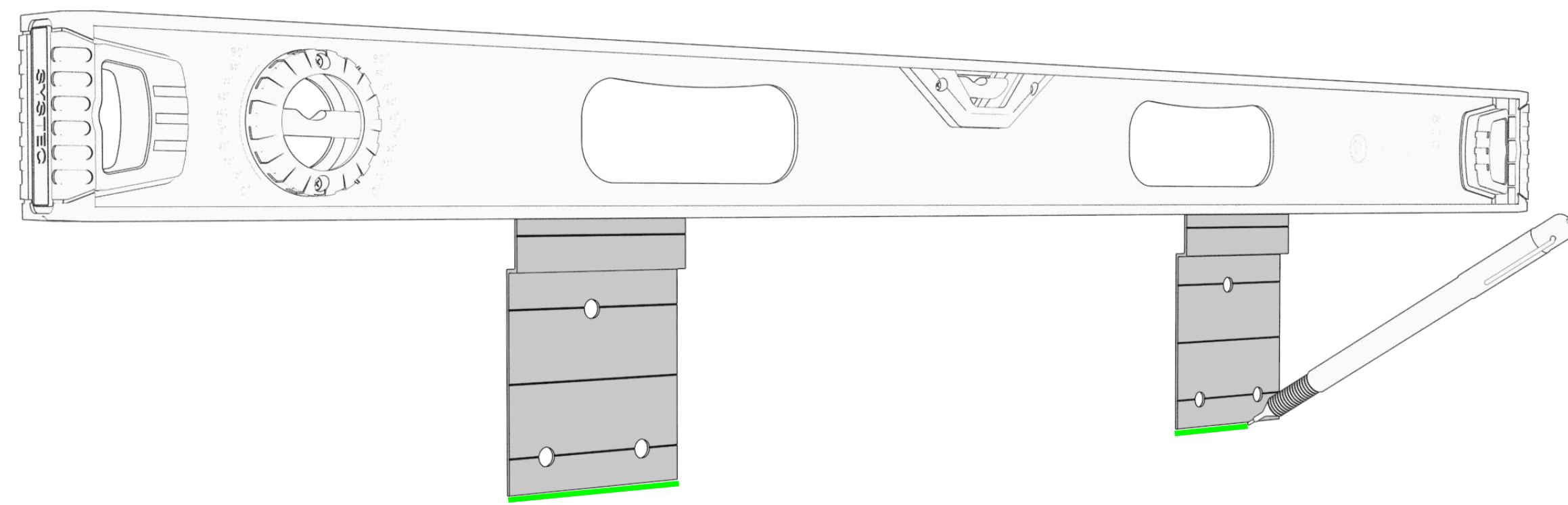
Option 2: Hang from top of chassis if junction box limits bracket placement

STEP 05 Level the Brackets

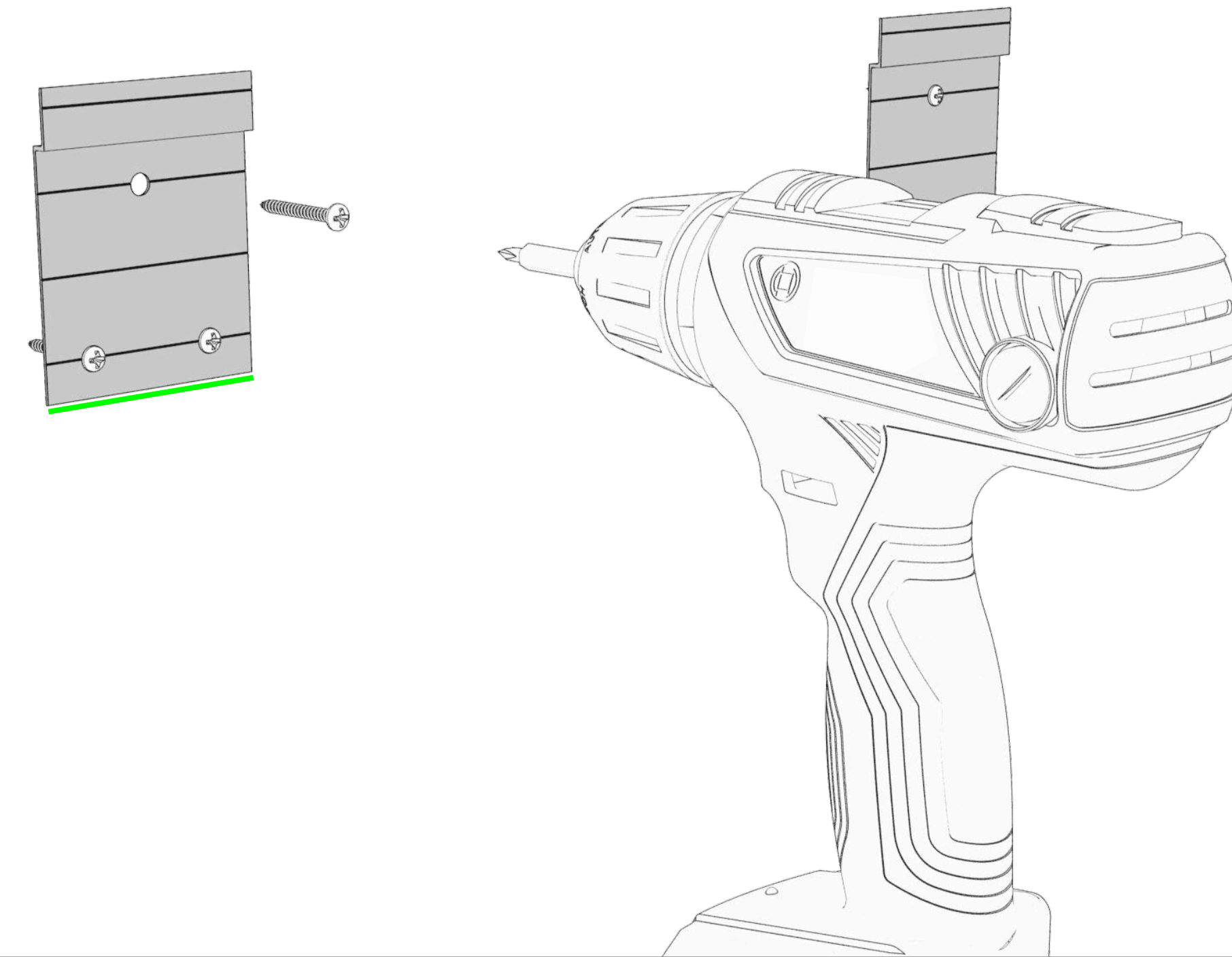
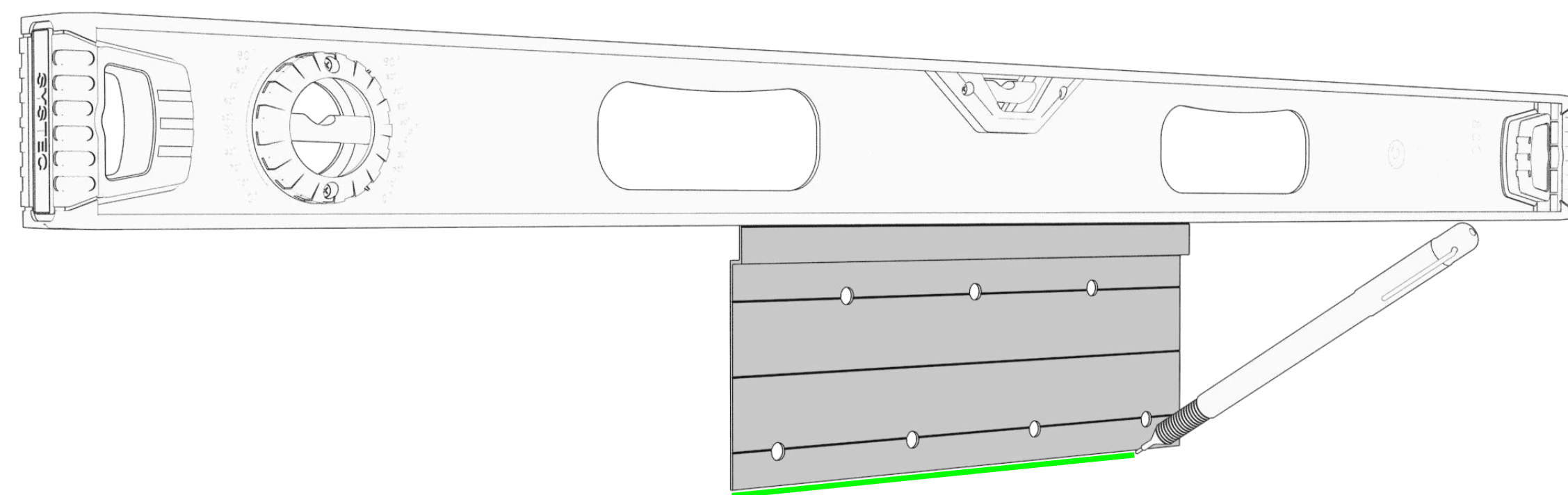


STEP 06 Secure Brackets to the Wall

4" Bracket Example



10" Bracket Example

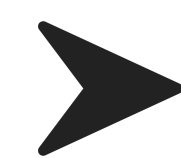


Attention: The wall hanging brackets **must** be installed into **blocking** or **studs**. Sheetrock alone is insufficient. Contact the factory for detailed dimensions.

- **Level the brackets.** Mark a straight line for desired wall bracket placement. Larger size mirrors may require multiple brackets.

Bracket Size Reference

Mirror Width < 24"	2@ 4" on the top, 2@ 4" on the bottom
Mirror Width 24" < X < 36"	1@ 10" on the top, 2@ 4" on the bottom
Mirror Width 36" < X < 72"	2@ 10" on the top, 2@ 4" on the bottom
Mirror Width 72" < X	3@ 10" on the top, 3@ 4" on the bottom

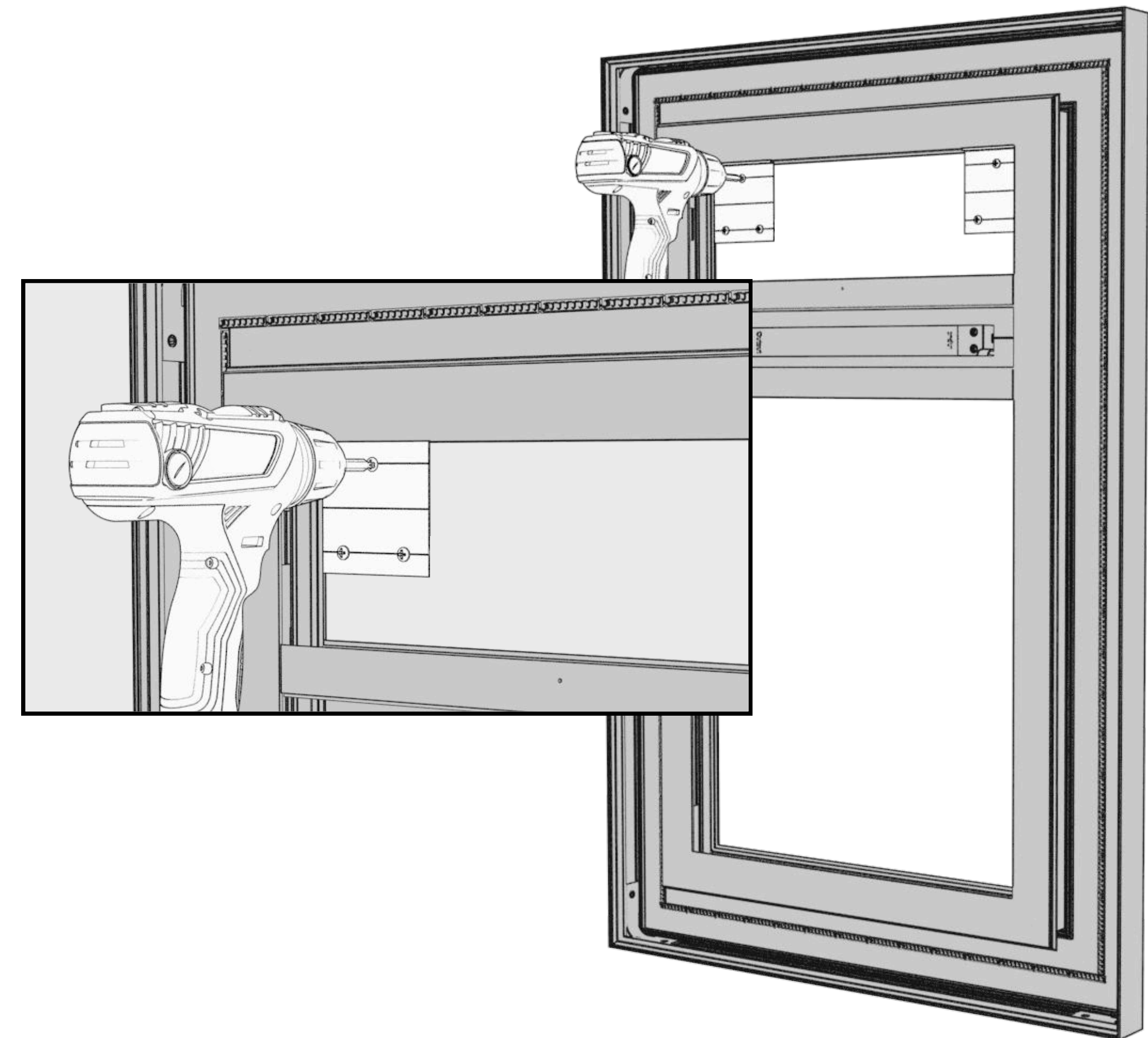
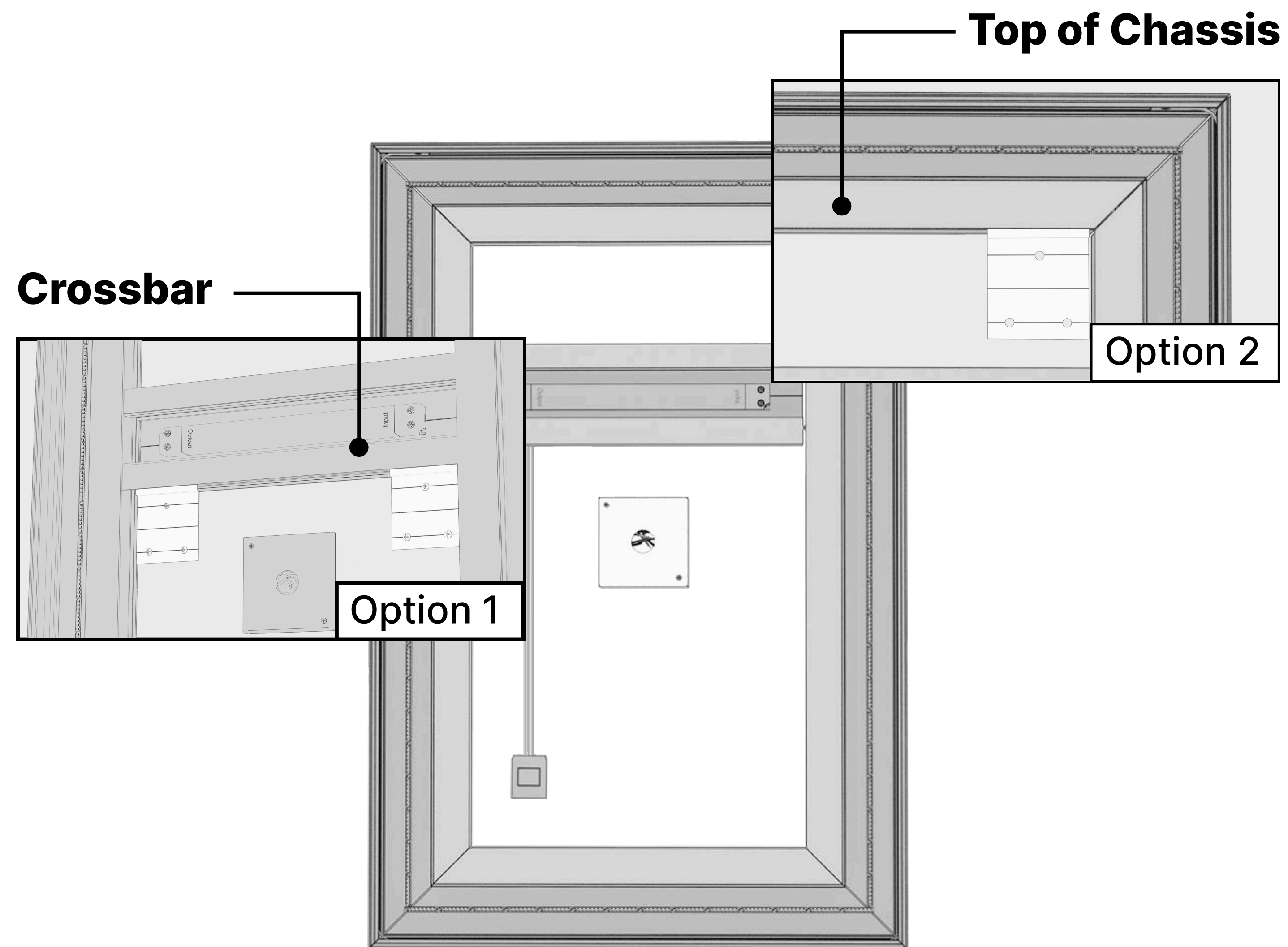


- Screw the brackets into the wall using suitable screws based on your wall type.

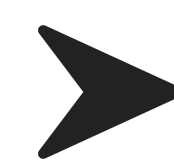
STEP 07 Place Back Chassis



STEP 08 Adjust Brackets



- Slide **the bottom of the crossbar** or **top of the chassis** into the mounted brackets.

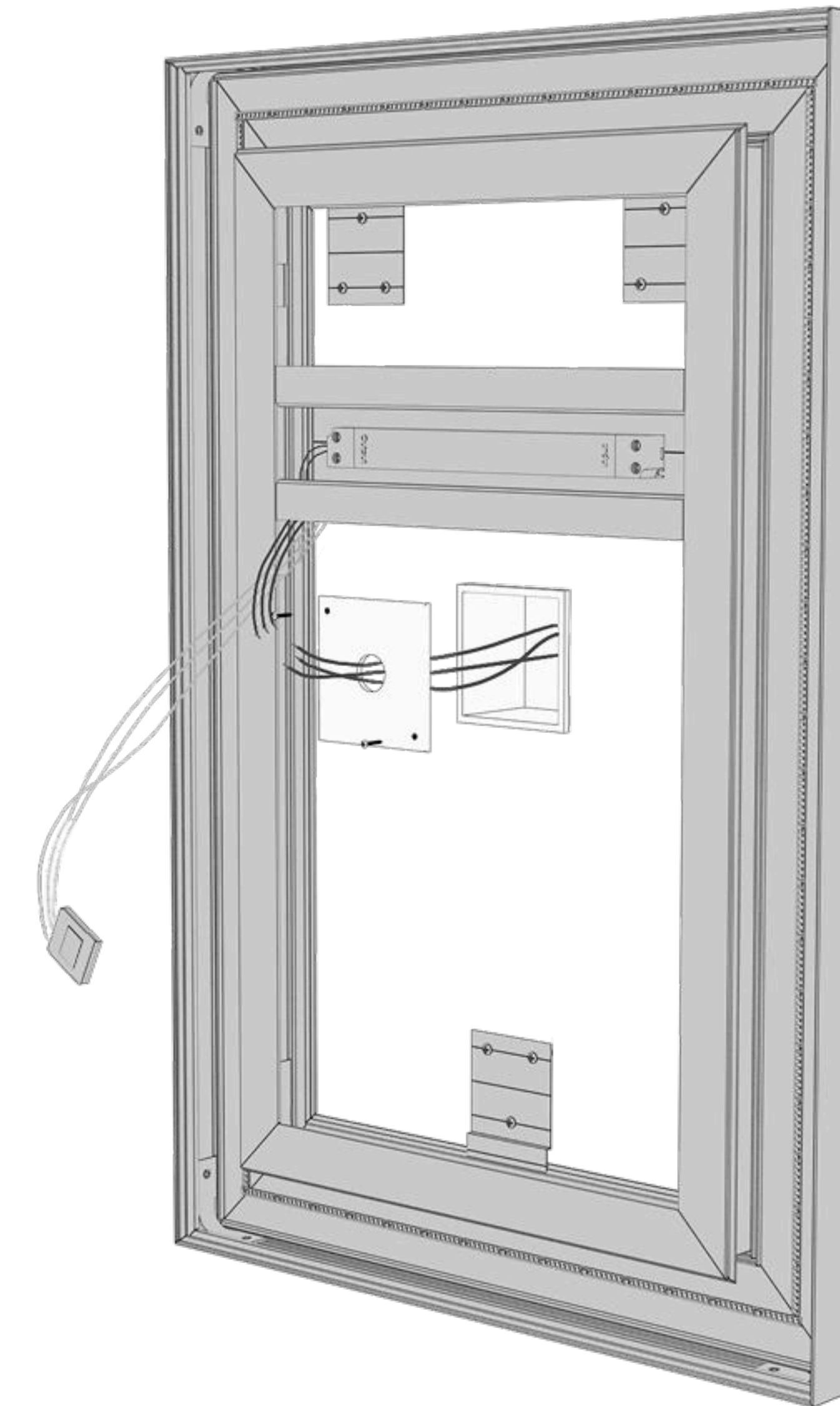
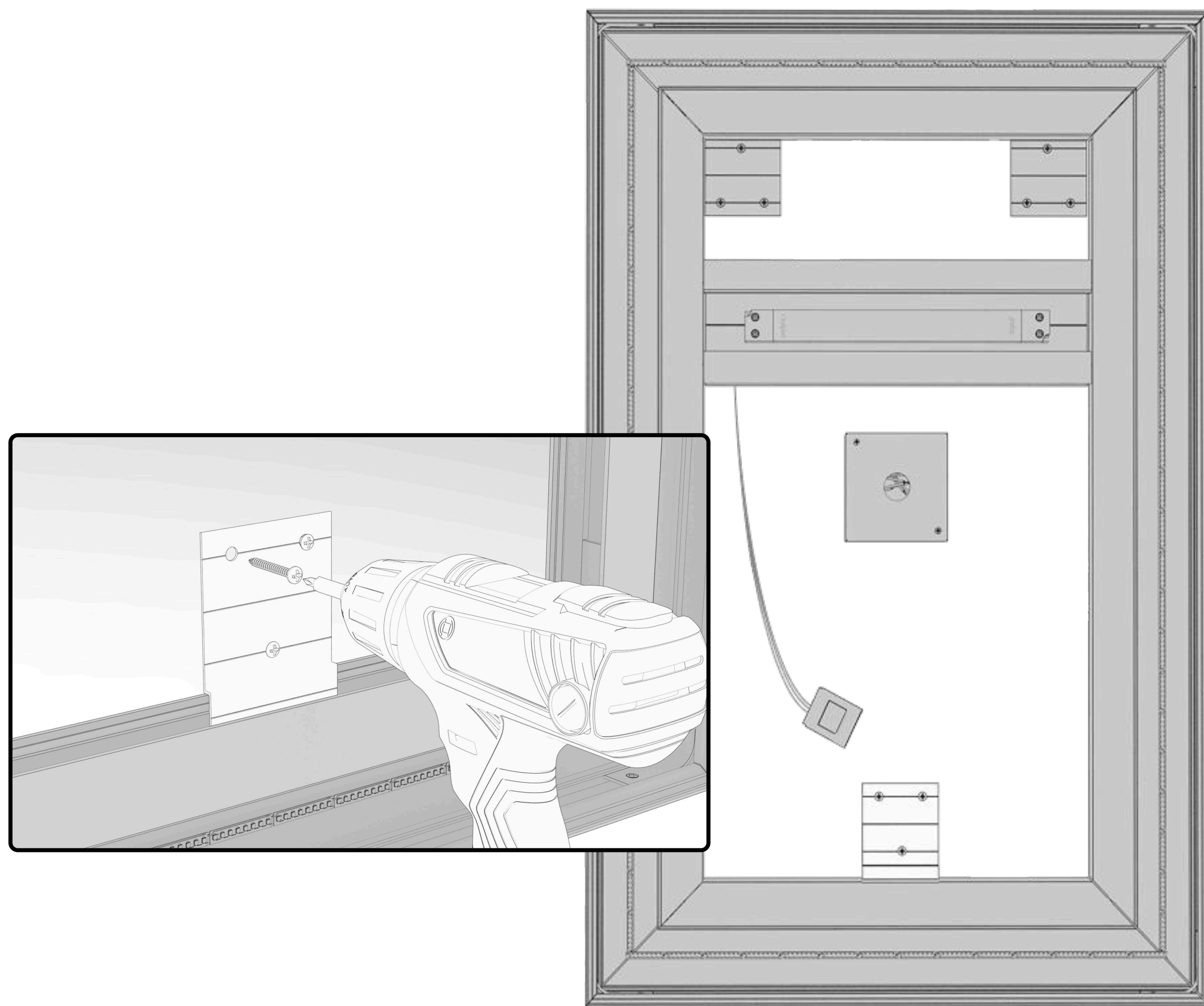


- Use a level to **ensure the chassis is straight**, adjusting the bracket placement by loosening and tightening the screws as needed.

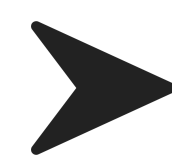
STEP 09 Lock Brackets



STEP 10 Connect Fixture Power Cables



- Lock the chassis to the wall by screwing **1 or more** of the provided **smaller brackets upside down**, opposite from the primary wall hanging brackets.



- Connect the fixture power cables to the junction box cables. Be sure to **check fixture voltage information** located on the product safety label.

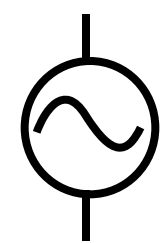
Wire Connection



PLEASE REFER TO THE ELECTRICAL SPECIFICATIONS LISTED ON THE MIRROR FRAME TO VERIFY THE CORRECT WIRING CONFIGURATION AND INPUT VOLTAGE. DIRECT & INDIRECT MIRRORS MAY HAVE TWO SETS OF WIRING WIRE TOGETHER OR ON SEPARATE CHANNELS.

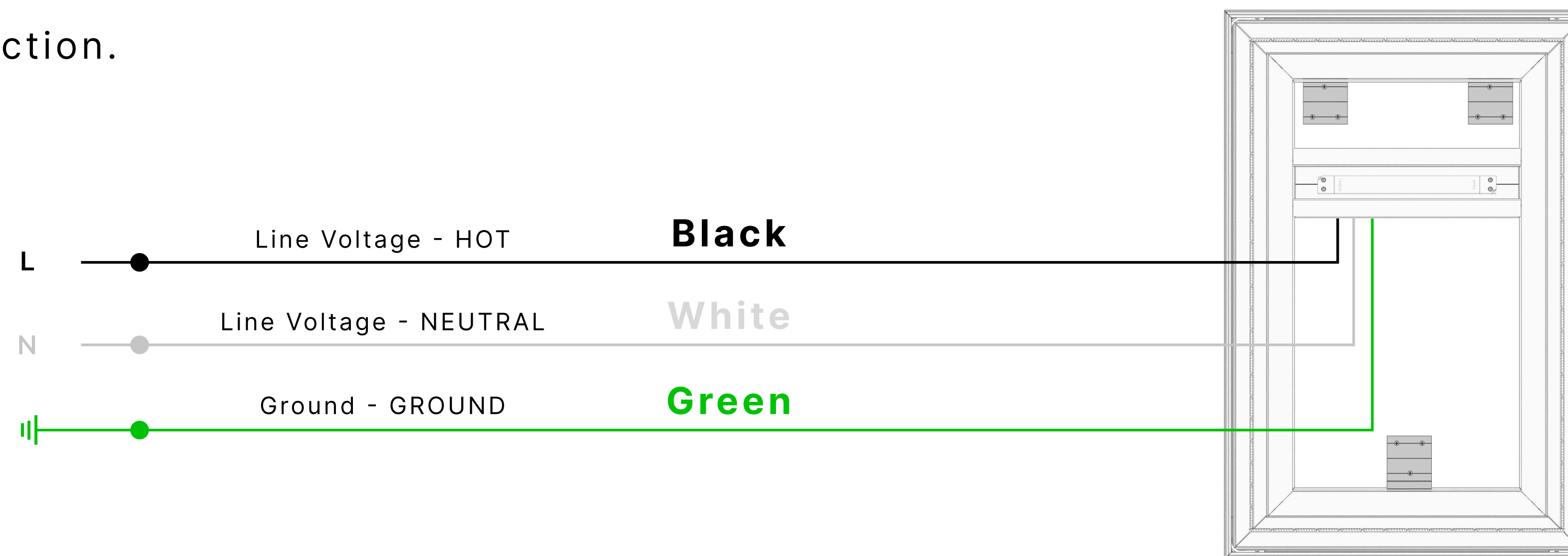
Non-Dimming* & ELV Dimming

* Mirrors with touch sensors must be connected to a non-dimming connection.

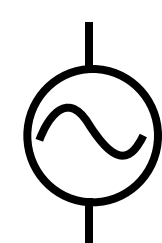


100-277 VAC
50-60Hz

Refer to fixture label to confirm electrical specifications

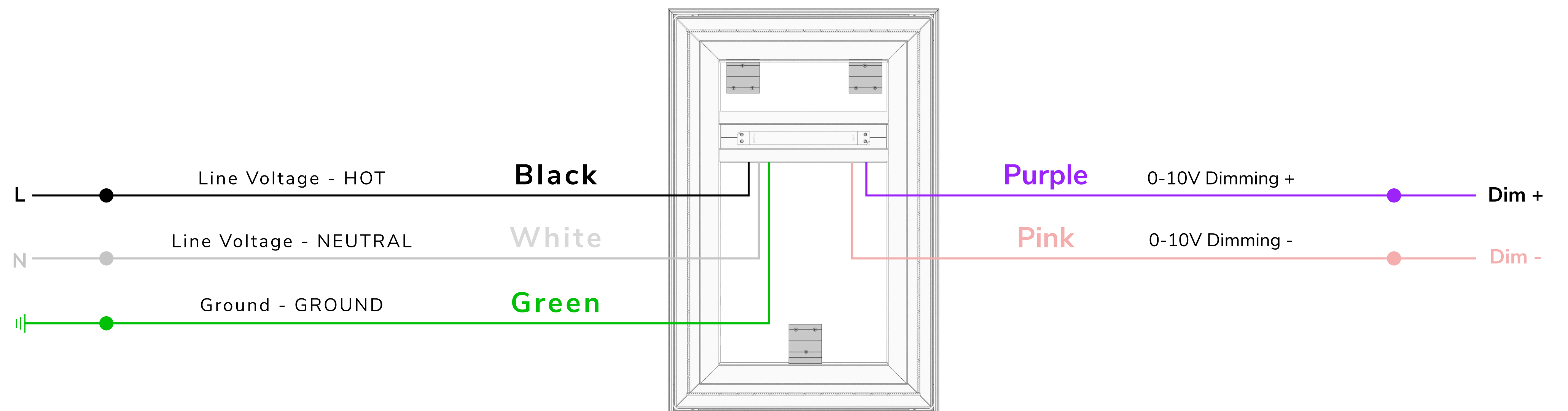


0-10V Dimming



100-277 VAC
50-60Hz

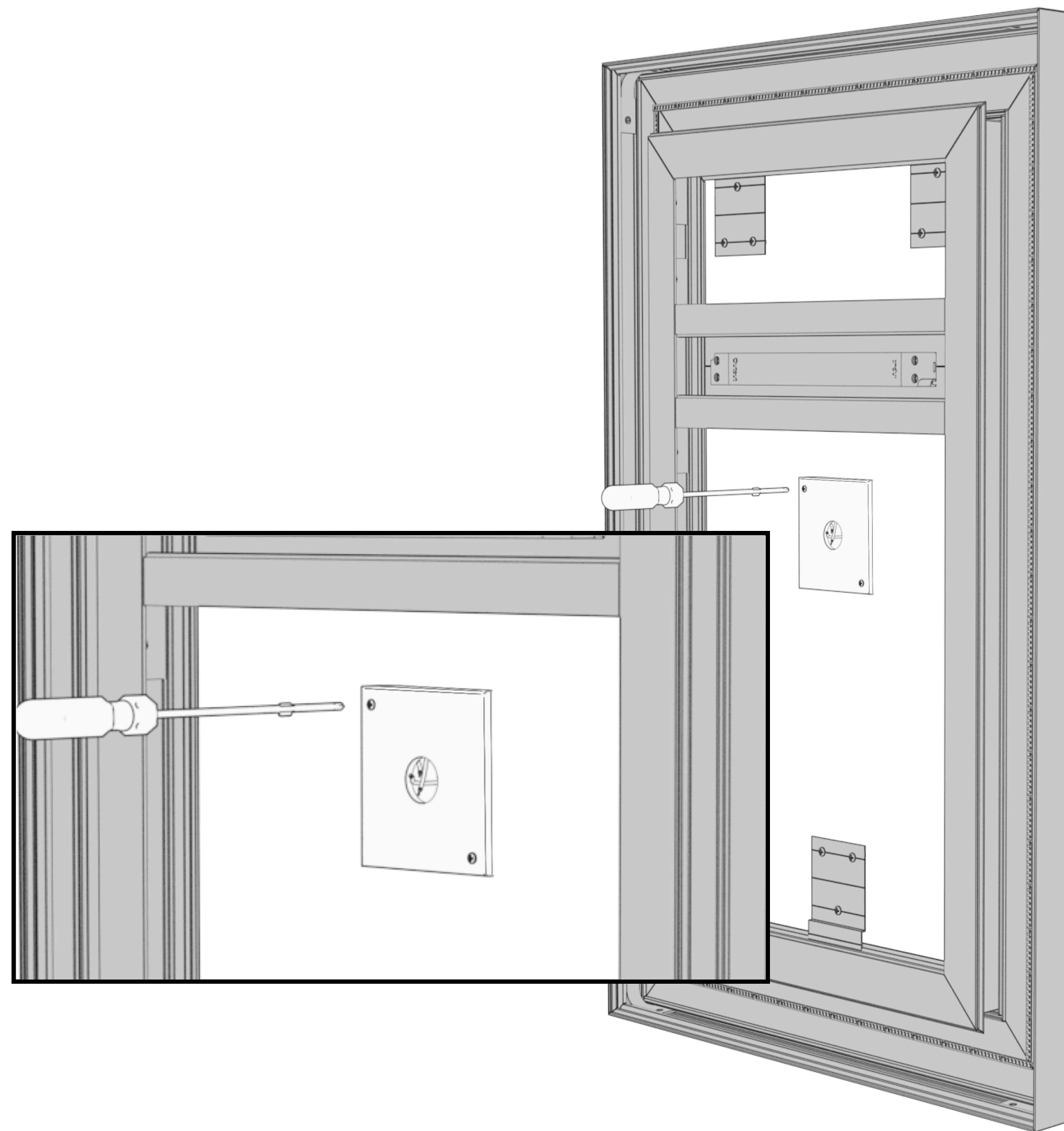
Refer to fixture label to confirm electrical specifications



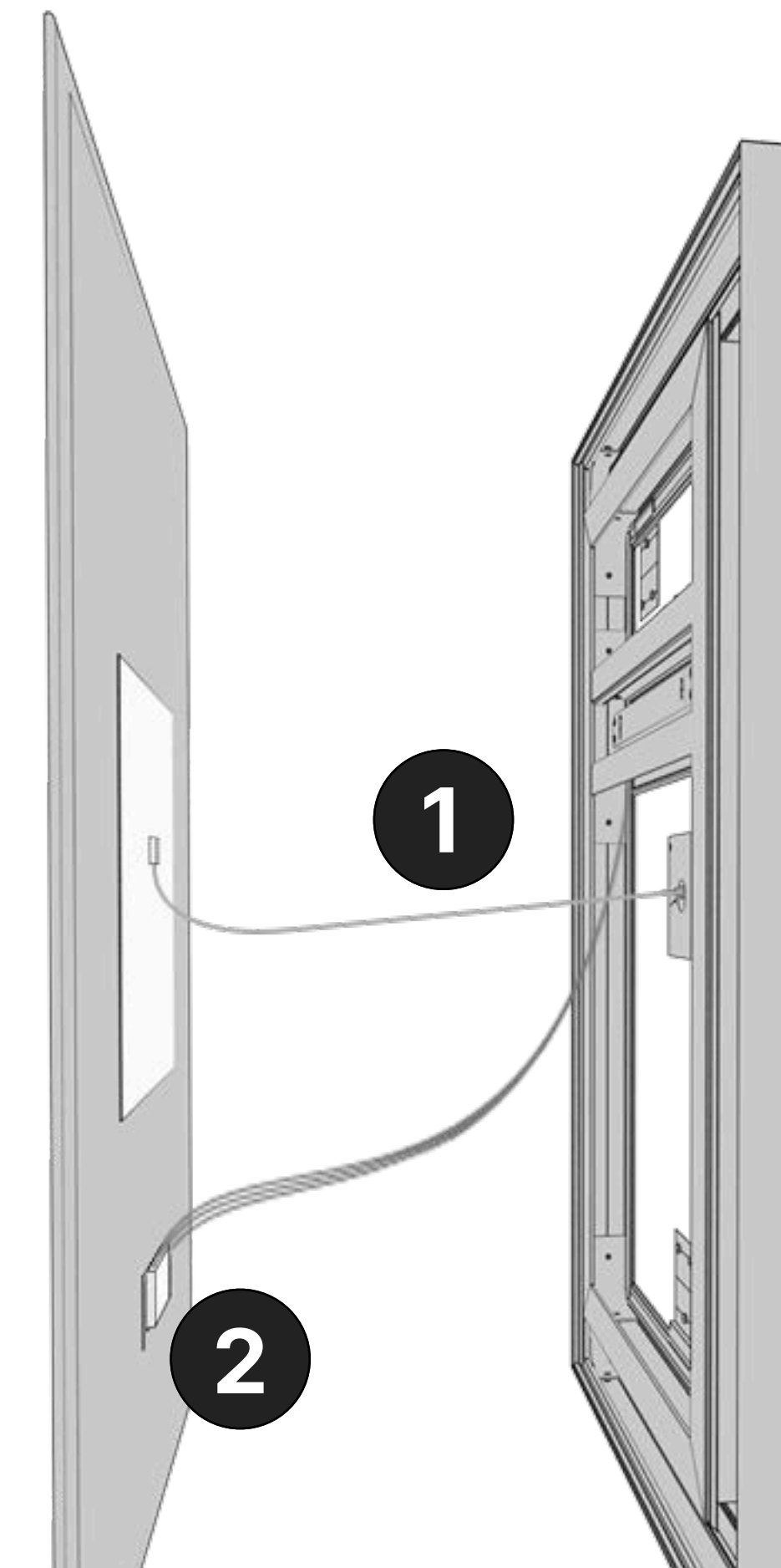
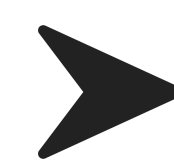
STEP 11 Lock Brackets



STEP 12 Connect Fixture Power Cables



- The power installation is not complete until the high voltage connection is covered. Use a **cover** compatible with the installed junction box.



Attention: Watch the glass corners carefully, and place a soft barrier on hard surfaces or bathroom fixtures near the glass installation location.

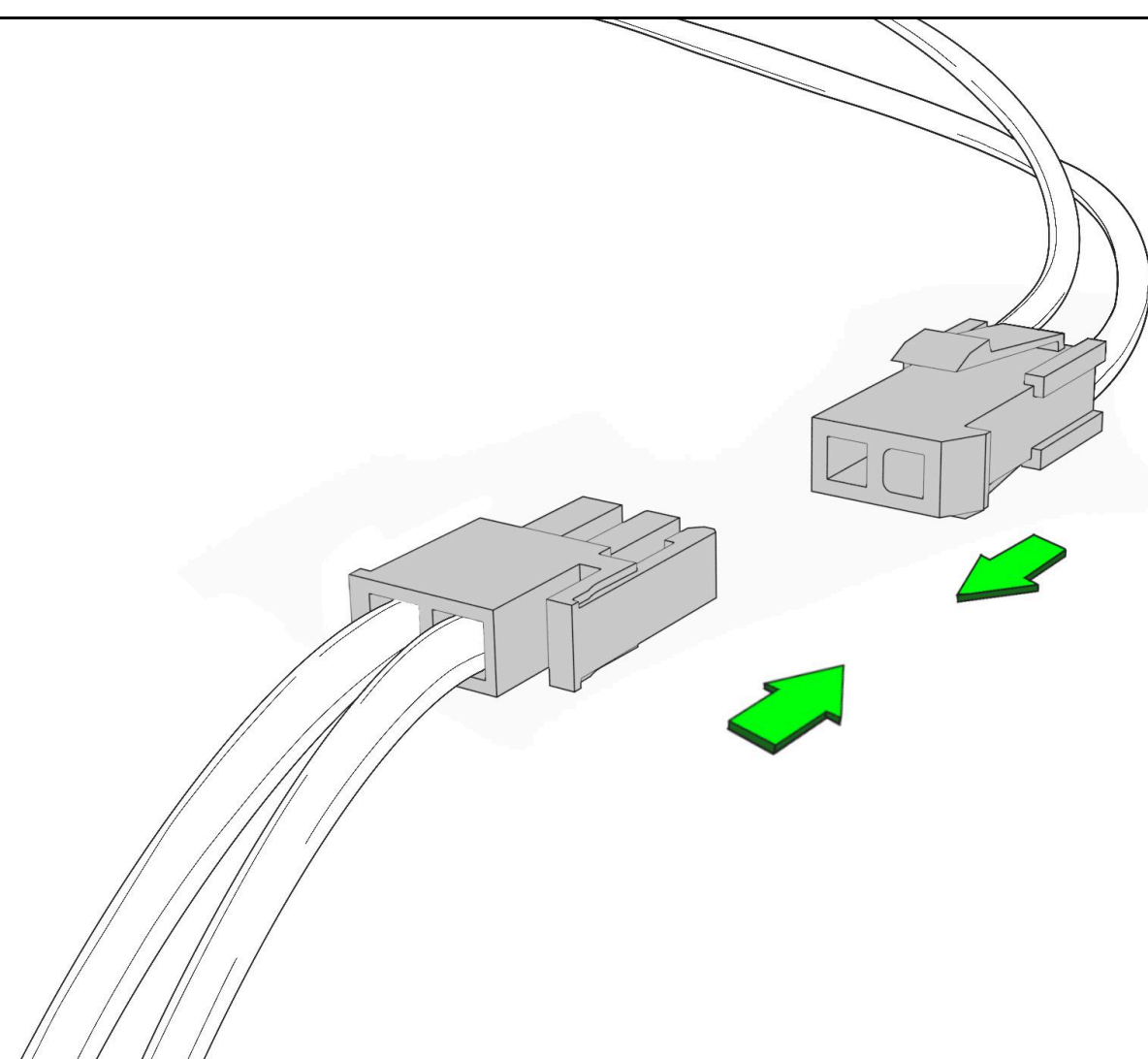
- 1 Connect the demister** to the junction box.
- 2 Slide the touch sensor** back into its clip.

Additional Connects

Can be on at all times or connected to non dimming switch

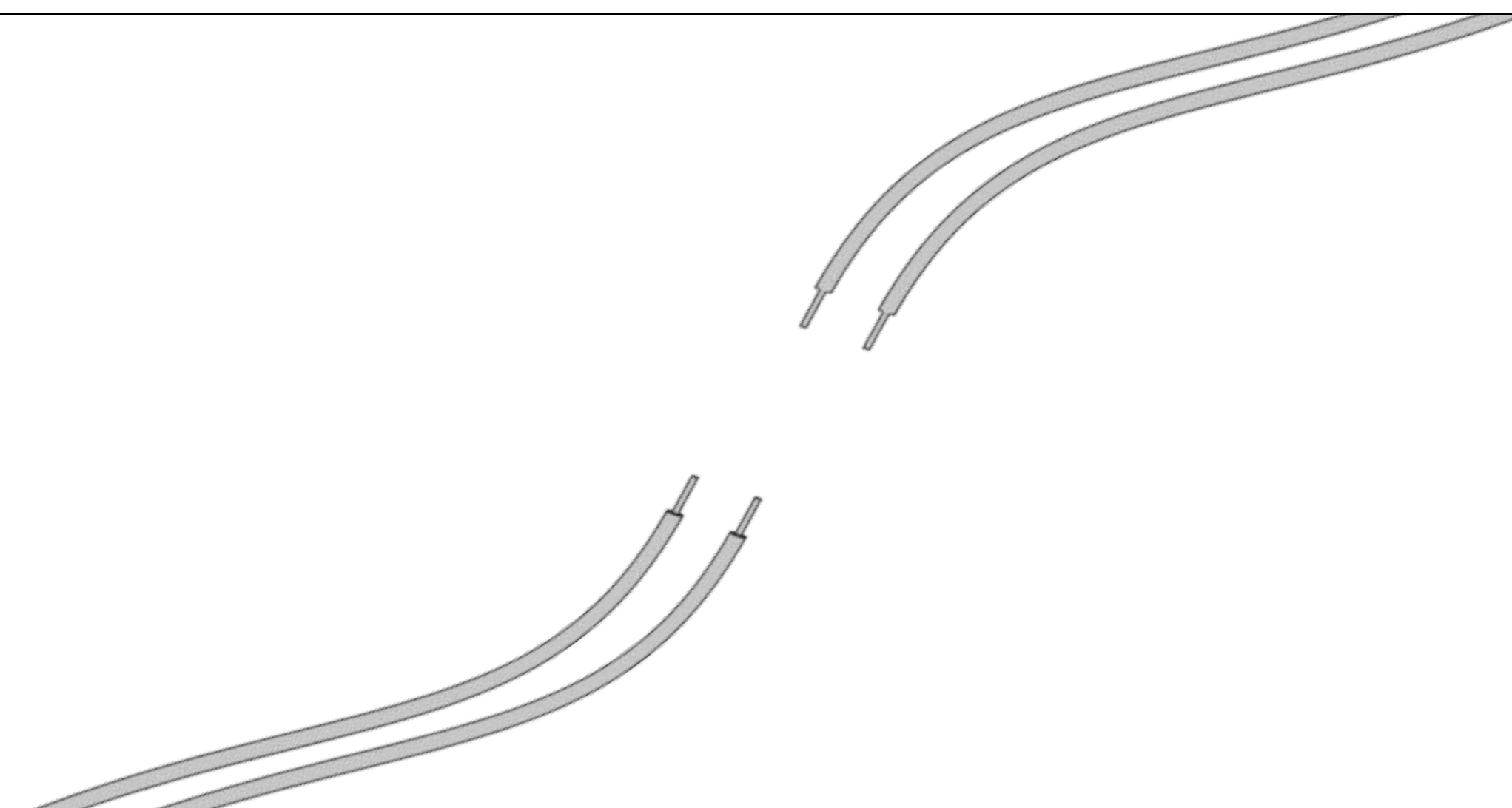


Connection Options



Molex

- Connect to designated 24V low voltage Molex



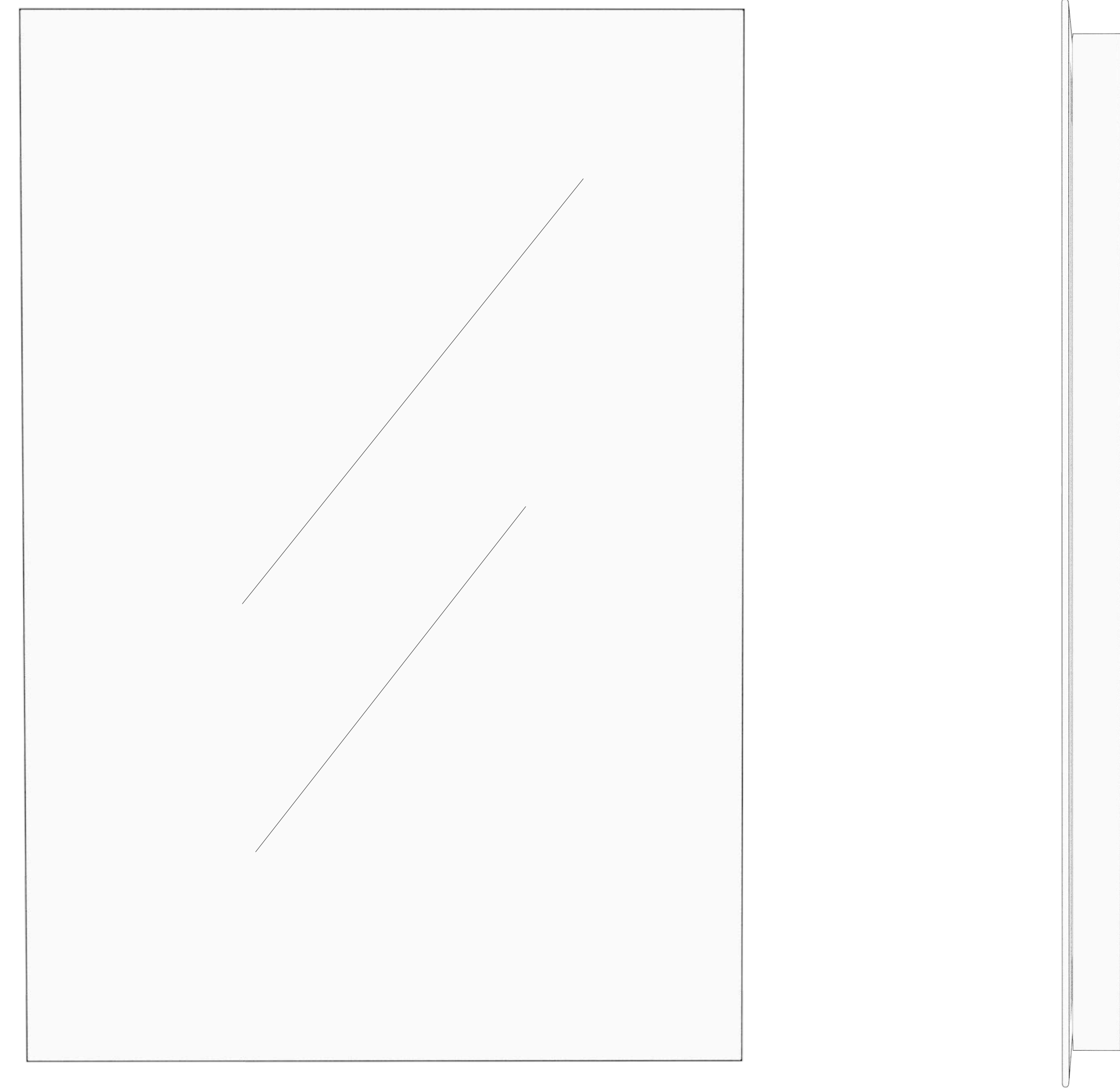
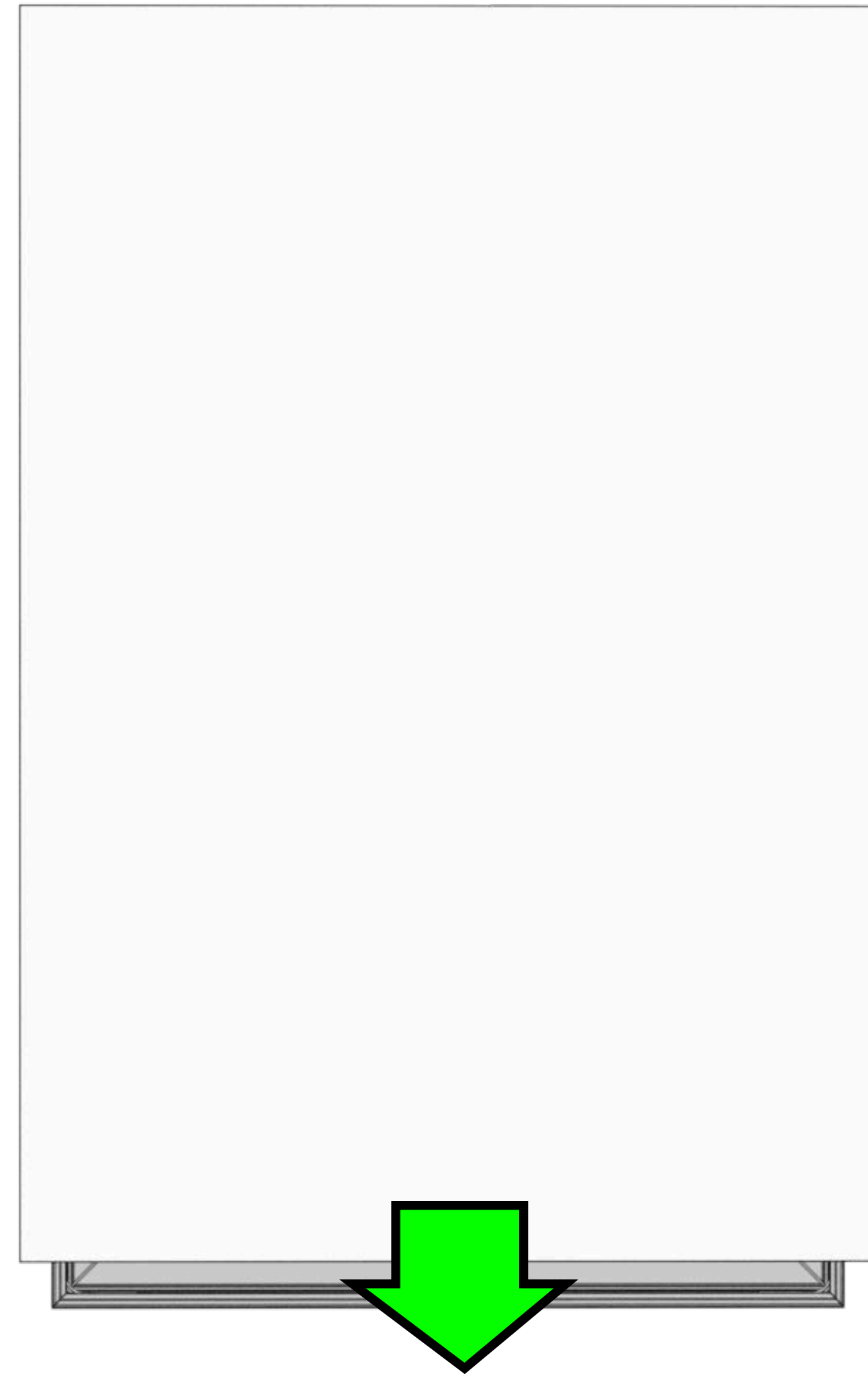
Hard Wire

- Hard wired to 120V non-dimming

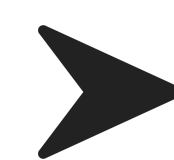
STEP 13 Place Glass



STEP 14 Double-Check Installation



- **Slide the glass** into position and make sure that **Top and Bottom Brackets are engaged**.



- Carefully **inspect the mirror**, ensuring that all brackets are securely slide into the chassis and crossbar.

MATRIX[®] M I R R O R S



M A T R I X
M I R R O R S

Manufacture Location:

6464 Warren Dr, Norcross, GA 30093

Need Help with Installation ?

(678) 580-5717 (M-F 10AM-5PM ET)

admin@matrixmirrors.com



Made in the USA