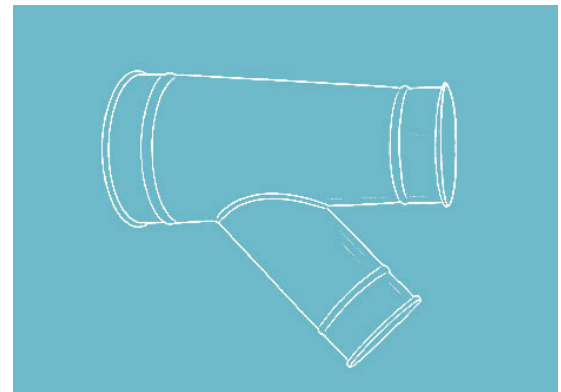
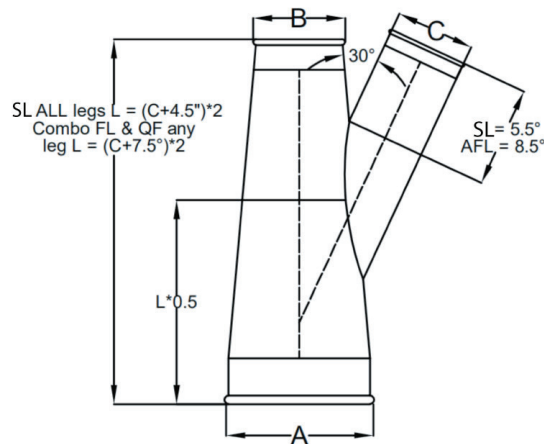


ORIGIN DUCTWORKS

BRANCH

Branches (sometimes called “wyes” or “laterals”) are standard with SNAPLOCK Rolled Ends, allowing connections with other SNAPLOCK ductwork.

Øin.	Length in.	Weight Lbs.
3		2.32
4		3.00
5		3.75
6		4.25
7		5.00
8		6.00
9		7.25
10		8.50
11		9.25
12	SL/Raw:	10.75
13	$C \times 2 + 9''$	11.40
14	To manuf:	13.50
15	$A - C \geq C - B$	15.60
16		17.56
17		19.00
18		21.00
19		25.00
20		30.00
21		35.00
22		39.50
23		47.00
24		53.50
25		63.00
26		74.00
27		81.00
28		98.00
29		107.00
30		117.05
31	Angle/	121.00
32	Flat Flange:	125.94
33	$C \times 2 + 15''$	130.00
34	To manuf:	134.83
35	$A - C \geq C - B$	138.00
36		142.78
37		148.00
38		153.47
39		158.00
40		162.81



SNAPLOCK MATERIAL OPTIONS

GALVANIZED				STAINLESS STEEL			
Gauges	Size in			Gauges	Size in		
	Min Øin.	Max Øin.	Min Øin.		Max Øin.		
STD.	22	3	12	STD.	22	3	12
	20	13	24		20	13	24
OPT.	18	4	24	OPT.	18	8	24
	16	8	24		16	8	24
	14	8	24				

FLANGED MATERIAL OPTIONS

GALVANIZED				STAINLESS STEEL			
Gauges	Size in			Gauges	Size in		
	Min Øin.	Max Øin.	Min Øin.		Max Øin.		
STD.	22	3	12	STD.	22	3	12
	20	13	24		20	13	24
	18	26	30		18	26	30
	16	32	40		16	32	40
	14	42	50		14	42	50
OPT.	12	52	72	OPT.	20	4	12
	20	4	12		18	4	24
	18	4	24		16	8	30
	16	8	30				
	14	8	50				
	12	10	72				
	10	12	72				