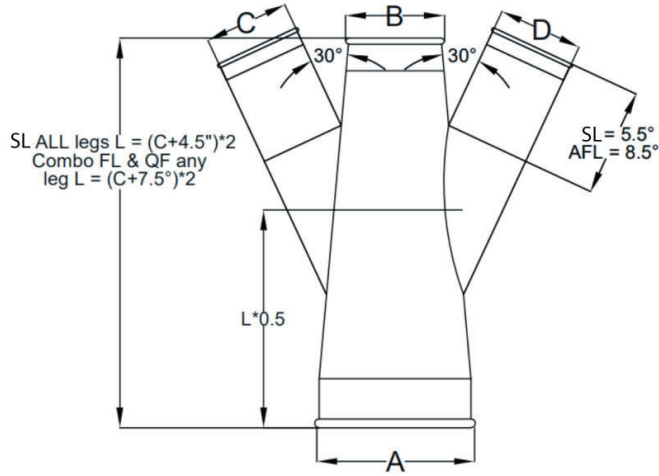


ORIGIN DUCTWORKS

DOUBLE BRANCH

Double Branches are duct fittings used to connect two incoming duct lines into a main duct, typically in systems where airflow from multiple sources needs to merge smoothly. These branches are tapered to support increased airflow volume, with the exit leg (toward the fan) designed larger to accommodate the combined air.



| Øin. | Length in. | Weight Lbs. |
|------|---------------------|-------------|
| 3 | $C \times 2 + 9''$ | 2.6 |
| 4 | | 3.5 |
| 5 | | 4.4 |
| 6 | | 5 |
| 7 | | 6 |
| 8 | | 7.3 |
| 9 | | 8.5 |
| 10 | | 10 |
| 11 | | 10.8 |
| 12 | | 12.3 |
| 13 | | 13.2 |
| 14 | | 15 |
| 15 | | 17.4 |
| 16 | 19.6 | |
| 17 | 21 | |
| 18 | 26 | |
| 19 | 35 | |
| 20 | 49.5 | |
| 21 | 68.4 | |
| 22 | 39.5 | |
| 23 | 47 | |
| 24 | 53.5 | |
| 25 | $C \times 2 + 15''$ | 94 |
| 26 | | 104 |
| 27 | | 116 |
| 28 | | 128 |
| 29 | | 140.5 |
| 30 | | 153 |
| 31 | | 158 |
| 32 | | 165 |
| 33 | | 171 |
| 34 | | 180 |
| 35 | | 184 |
| 36 | | 188 |
| 37 | | 195 |
| 38 | | 203.5 |
| 39 | | 212 |
| 40 | | 223 |

SNAPLOCK MATERIAL OPTIONS

| GALVANIZED | | | | STAINLESS STEEL | | | |
|------------|----------|----------|----|-----------------|----------|----------|----|
| Gauges | Size in | | | Gauges | Size in | | |
| | Min Øin. | Max Øin. | | | Min Øin. | Max Øin. | |
| STD. | 22 | 3 | 12 | STD. | 22 | 3 | 12 |
| | 20 | 13 | 24 | | 20 | 13 | 24 |
| OPT. | 18 | 4 | 24 | OPT. | 18 | 8 | 24 |
| | 16 | 8 | 24 | | 16 | 8 | 24 |
| | 14 | 8 | 24 | | | | |

FLANGED MATERIAL OPTIONS

| GALVANIZED | | | | STAINLESS STEEL | | | | |
|------------|----------|----------|----|-----------------|----------|----------|----|----|
| Gauges | Size in | | | Gauges | Size in | | | |
| | Min Øin. | Max Øin. | | | Min Øin. | Max Øin. | | |
| STD. | 22 | 3 | 12 | STD. | 22 | 3 | 12 | |
| | 20 | 13 | 24 | | 20 | 13 | 24 | |
| | 18 | 26 | 30 | | 18 | 26 | 30 | |
| | 16 | 32 | 40 | | 16 | 32 | 40 | |
| | OPT. | 14 | 42 | 50 | OPT. | 20 | 4 | 12 |
| | | 12 | 52 | 72 | | 18 | 4 | 24 |
| 20 | | 4 | 12 | 16 | | 8 | 30 | |
| 18 | | 4 | 24 | | | | | |
| | 16 | 8 | 30 | | | | | |
| | 14 | 8 | 50 | | | | | |
| | 12 | 10 | 72 | | | | | |
| | 10 | 12 | 72 | | | | | |