



TRACKED CONE CRUSHER STRIKER CQ400

TECHNICAL SPECIFICATION





STRIKER CQ400 - TECHNICAL SPECIFICATION

Feeder

Capacity - 5m³ / 7m³ (6yd³ / 9yd³) Width - 1200mm (3'11")

Crusher

Size - 1200mm (48")

Forward Product Conveyor

Width - 1200mm (3'11") Discharge Height - 3229mm (10'7")

Tracks

Length - 3840mm (12'7") Width - 400mm (1'4")

Power Pack

Engine Power - 315 kW Hyd. Tank - 600Litre (132gal)
Diesel Tank - 840Litre (185gal)

Performance

Capacity (up to) - 400T/hr Gap Setting - 10-50mm (0.39"-2")

Operating Dimension

Length - 15705mm (51'6") Height - 4590mm (15'1")
Width - 3940mm (12'11") Weight - 47T (103,617lbs)

Transport Dimension

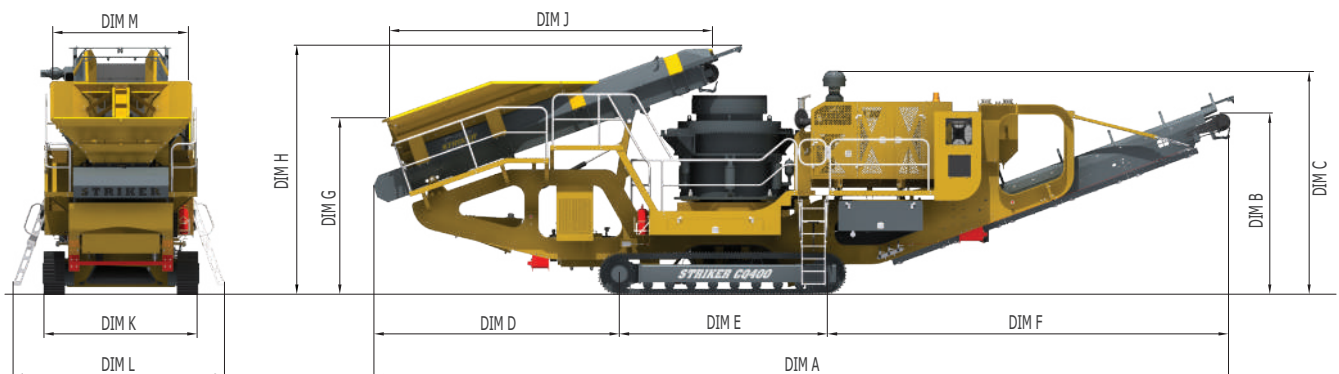
Length - 16745mm (54'11") Height - 3966mm (13')
Width - 2860mm (9'5")

STANDARD EQUIPMENT

- Cone
- Belt Feeder
- Feed Hopper
- Forward Product Conveyor
- Product Transfer Chute
- Track Frame
- Power Pack - CATERPILLAR model C13 engine

OPTIONS

- Hardox hopper liners, water pump for dust suppression, 3mtr air intake snorkel kit, auto zero set cone gap adjustment, hydraulic stacker outlet, radiator blast guards, plant lighting, umbilical remote, dual drive on conveyor, control panel pressuriser, higher & wider track kit.



CQ400	WORKING DIMENSIONS												TRANSPORT			
	A	B	C	D	E	F	G	H	J	K	L	M	WIDTH	HEIGHT	LENGTH	WEIGHT
METRIC	15705	3229	4060	4544	3840	7320	3264	4590	5992	2860	3940	2500	2860	3966	16745	47T
IMPERIAL	51' 6"	10' 7"	13' 4"	14' 11"	12' 7"	24'	10' 9"	15' 1"	19' 8"	9' 5"	12' 11"	8' 2"	9' 5"	13'	54' 11"	103,617lbs

* - Weight Variable With Options