

XP165S



XP165S

Pneumatic Tire Roller

XP165S tire roller is a medium-sized self-propelled tire roller. Its inflatable tire has a kneading effect on the crushed material, which can make the compacted material have good sealing properties. It is especially suitable for compacting the asphalt concrete paving layer, and can complete almost all the surface layer compaction work.

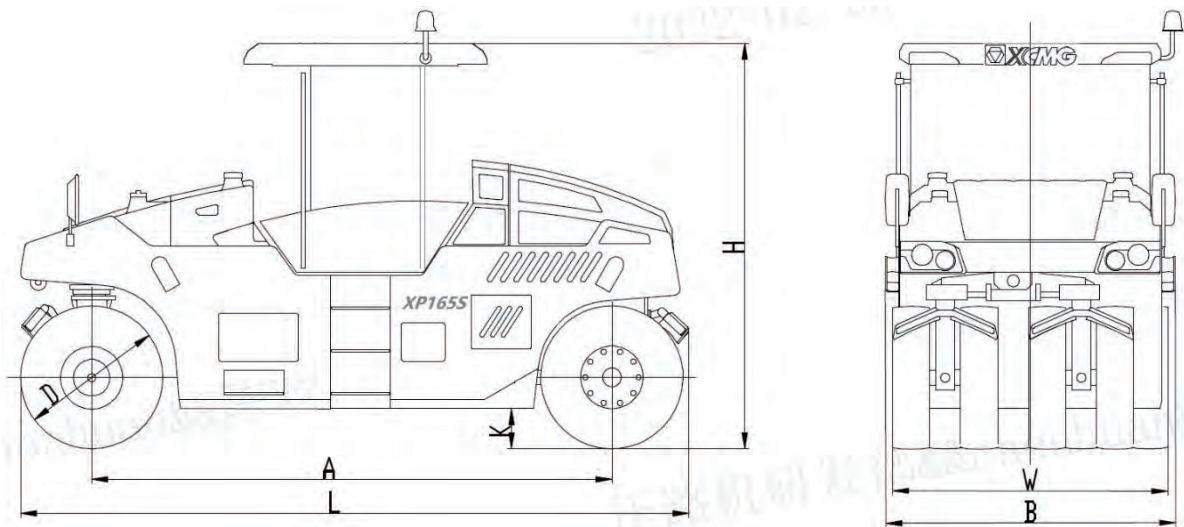
Performance and characteristics

- According to the needs of Saudi users, the weight of the XP165S whole machine is adjustable from 8.5 tons to 16 tons. It uses water and sand that is easy to obtain from construction sites and other places as the material for counterweight adjustment, and is matched with mixed material counterweight blocks to achieve a variety of combinations of 8.5-16 tons. The weight of the whole machine is

- adjusted steplessly to meet the needs of different working conditions.
- In line with international high-end competitors, our company has independently developed a dual-axle steering front wheel structure, i.e. each two tires rotate around their respective centres as a group. This structure can reduce the damage to the ground when the outermost tire of the front wheel is steering and improve the compaction quality.

Main dimensions

Dimension	A	B	D	H	K	L	W
XP165S	3900	2175	1080	3000	280	5100	2075



Main specifications

Item	Content	Unit	Value
Weights Parameters	Maximum operating weight(wet sand + ballast block)	kg	16000
	Operating weight (with roof, without ballast)	kg	8500
	Operating weight (with water ballast)	kg	10850
	Operating weight(with dry sand ballast)	kg	12000
	Operating weight(with wet sand ballast)	kg	13200
	Operating weight(with water + ballast block)(Optional)	kg	13650
	Operating weight(with dry sand + ballast block)(Optional)	kg	14800
	Driving Parameters	Working speed(F)	km/h
Gradeability		%	30
Minimum turning radius		mm	5980
Minimum ground clearance		mm	280
Wheelbase		mm	3900
Steering angle		°	±30
Oscillation of front wheel		mm	±50
Braking distance		m	≤7.2
Compaction Parameters	Drum width	mm	2075
	Overlapping quantity	mm	35
	Ground pressure	kPa	150~350
Engine	Model		CUMMINS QSF3.8
	Type		Turbocharger water-cooled electrical control
	Rated power	kW	104
	Rated speed	r/min	2200