

XS395



XS395

SINGLE DRUM VIBRATORY ROLLER

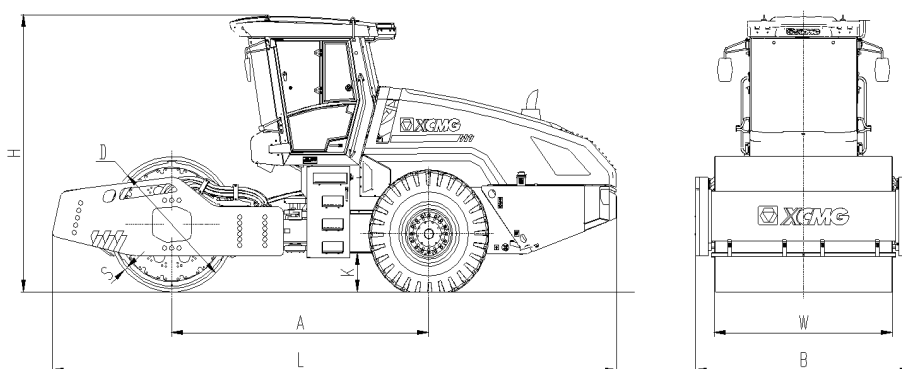
XS395 full-hydraulic single drum vibratory roller is a kind of super-tonnage all-wheel drive roller positioning in large depth rock-fill compaction, extra thick layer compaction as well as conventional layer compaction. It is the ideal compaction equipment for dam rock-fill, ultra-thick water stable layer, highway base course and subgrade compaction.

Performance and characteristics

- It's equipped with Weichai Chinese-III water-cooled engine, featuring high power reserve, low fuel consumption, and low noise.
- The qualified supplier of weichai WP12G375 turbocharged inter-cooled inline six-cylinder engine with 276kw@2200r/min, achieves the China Stage III emissions by electronically controlled high pressure common rail + turbocharged inter-cooled technical route, three-level fuel filtration is used and four valve structure improve charging efficiency meets the requirements on the plateau.
- The basic parameters and technical conditions of this engine conform to the relevant requirements of JB/T4198.1 Technical Conditions of Diesel Engine for Construction Machinery. The operation safety technology conforms to JB8890 Reciprocating internal combustion engines—Safety requirements.

Main dimensions

Dimensions	A	B	D	H	K	L	S	W
XS395	3460	3040	1720	3478	515	7592	50	2400



Main specifications

Item	Content	Unit	Value
Weights Parameters	Operating weight	kg	38340
	Front axle weight	kg	25560
	Rear axle weight	kg	12780
	Static linear load	N/cm	1065
Maneuverability	Working speed	Km/h	0~4; 0~5.5; 0~6; 0~10
	Theoretical gradeability	%	45
	Minimum turning radius (inside/outside)	mm	4660/7060
	Minimum Ground Clearance	mm	515
	Wheelbase	mm	3460
	Steering angle	°	±33
	Oscillation angle	°	±12
Compaction Parameters	Braking distance	m	<3.67
	Vibration frequency	Hz	26/31
	Nominal amplitude	mm	2.3/1.2
	Excitation force (high/low frequency)	kN	800/590
	Drum diameter	mm	1720
Hydraulic System	Drum width	mm	2400
	Charge pressure, drive system	MPa	2.4
	Peak pressure, drive system	MPa	38
	Peak pressure, vibration system	MPa	38
Engine	Peak pressure, steering system	MPa	17
	Model		Weichai WP12G375
	Type		Water-cooled in-line 6-cylinder diesel engine
	Rated power	kW	276
	Rated speed	r/min	2200