



SOLID
TO SUCCEED

AS

SCISSOR LIFT XG0608DC

Comply with AS

Standard configuration

- Withdrawable platform extension with position lock
- Lanyard attach points
- Self-locking half-height swing gate and folding guardrail
- Rear-wheel drive
- Travel driven by DC motor
- Full proportion travel and lift control
- 25 % gradeability
- DC maintenance-free battery
- Lubrication-free bearing
- Swing-out component tray
- Brake release for towing
- Emergency stop devices on platform and ground controls
- Anti-slipping metal platform
- Load sensing alarm
- Lowering alarm
- 3-second delay descent
- Multi-axis tilt sensor
- Multi-disc brake
- Scissor maintenance lock
- Auto brake system
- Pothole protection device
- Onboard Diagnostic System
- Electric horn
- Scissor-elevated automatic low speed protection
- Charging protection system
- Removable platform control
- Intelligent charger
- Hourmeter
- Side fork pockets
- Flashing indicator light
- Humanized control system
- Platform control with battery level display
- Manual platform descent valve
- Tilt sensor and audio alarm



Working height
6.3/6.3 meters



Lift capacity
240Kg



Electric
power



Optional configuration

- Platform searchlight
- Platform external power supply
- Air line
- Platform fire extinguisher
- Platform anti-collision device
- Platform foot pedal
- Boom end cover
- Joystick bracket fixing

XCMG FIRE-FIGHTING SAFETY EQUIPMENT CO.,LTD

No.17 Zhujiang East Road, Hi-Tech Development Zone, Xuzhou, Jiangsu, China
mewp@xcmg.com

XG0608DC



SOLID
TO SUCCEED

Scissor Lift-Electric

Item	Metric
Dimension	
Overall length (without ladder/ outriggers)	1558(1390) mm
Overall width	810 mm
Overall height	1871(1530) mm
Platform length	1370 mm
Platform width	700 mm
Platform extension extension length	600 mm
Guardrail height	969mm
Toeboard height	150 mm
Wheelbase	1130 mm
Min. ground clearance (pothole protection deployed/undeployed)	24/57.5 mm

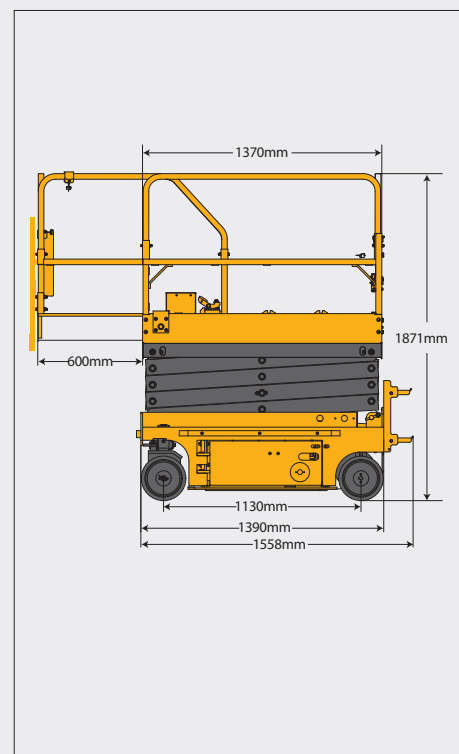
Performance	
Max. working height (indoor/ outdoor)	6.3/6.3 m
Max. platform height (indoor/ outdoor)	4.3/4.3 m
Min. platform height	0.9 m
Max. platform drive height	4.3 m
Rated load	240 kg
Load on platform extension	120 kg
Max. platform occupancy (indoor/ outdoor)	2/1
Max. driving speed (stowed)	3 km/h
Max. driving speed (raised)	0.5 km/h
Max. gradeability	25%
Min. turning radius (inside)	0.45 m
Min. turning radius (outside)	1.6 m
Platform raising time	28-38 s
Platform lowering time	24-34 s
Max. working slope (side to side/ front and rear)	1.5°/3°

Power source	
Maintenance-free lead-acid battery	
Battery voltage	24 V
Battery capacity (3HR)	80Ah
Battery charger	24 V/A
Traveling motor	0.55/24 kW/V
Lifting motor	1.3/24 kW/V
Hydraulic tank capacity	4 L

Tire	
Tire size	254mm×76 mm
Tire ground pressure	6.23 kg/cm ²
Driving wheels	2
Braking wheels	2
Steering wheels	2

Weight	
Total weight	1050 kg

Stowed



Trans

