



SOLID
TO SUCCEED



ROUGH TERRAIN SCISSOR LIFT

XG1418ERT

Comply with CE

Standard configuration

- Foldable guardrail
- Platform self-locking door
- One-way extension platform
- Anti-slipping metal platform
- Boom safety maintenance support
- Standard Forklift pocket for transport
- Lanyard connection point
- Fixing and lifting points
- 2-wheel drive
- Front-wheel steering
- Movement alarm
- Strobe light
- Electric horn
- Emergency stop button
- Battery power display
- Full proportion travel and lift control
- High-altitude automatic limit travel protection
- Outrigger leveling system
- Tilt protection system
- Auto brake system
- Fault diagnosis system
- Emergency lowering system
- Leveling outrigger support detection system
- Weighing alarm system
- Axle oscillation system



Working height
14,3 meters



Lift capacity
365Kg



Electric
power



Optional configuration

- High-altitude low speed travel
- Non-marking foam-filled tire
- Platform anti-collision
- Platform external power supply

XCMG FIRE-FIGHTING SAFETY EQUIPMENT CO.,LTD

No.17 Zhujiang East Road, Hi-Tech Development Zone, Xuzhou, Jiangsu, China
mewp@xcmg.com

XG1418ERT

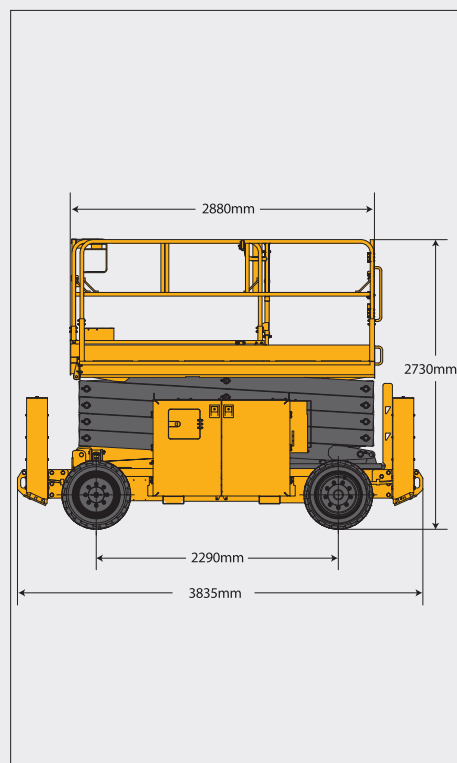


SOLID
TO SUCCEED

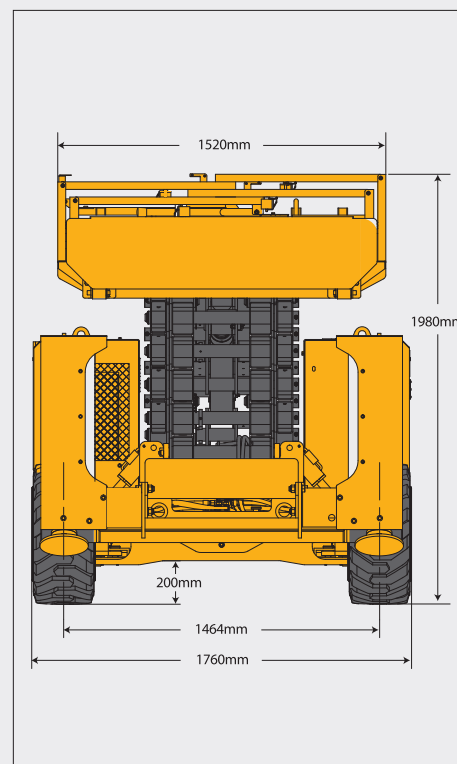
Rough Terrain Scissor Lift-Electric

Item	Metric
Dimension	
Overall length (without ladder/outriggers)	3835mm(—)
Overall width	1760mm
Overall height (platform folded)	2730(1980)mm
Platform length	2880mm
Platform width	1520mm
Subplatform extension length	1430mm
Guardrail height	1105mm
Toeboard height	150mm
Outrigger span (side to side/front and rear)	1460mm/3465mm
Wheelbase	2290mm
Min. ground clearance (pothole protection deployed/undeployed)	200mm(—)
Performance	
Max. working height	14.3m
Max. platform height	12.3m
Min. platform height	1.58m
Max. driving height	2.17m(Standard) 12.3m(optional)
Rated load	365kg
Subplatform rated load	135kg
Max. number of occupants (indoor/outdoor)	3/2
Max. driving speed (stowed)	6.0km/h
Max. driving speed (raised)	0km/h(Standard) 0.1km/h(optional)
Max. gradeability	35%
Min. turning radius (inside)	2.3m
Min. turning radius (outside)	4.8m
Platform raising time	60s
Platform lowering time	50s
Max. working slope (side to side/front and rear)	2°/3°
Outrigger leveling angle (side to side/front and rear)	/
Power source	
Battery voltage	48V
Battery capacity (3HR)	310Ah
Battery charger	48V/35A
Traveling motor	3.3kW/32V
Lifting motor	7.4kW/31V
Hydraulic tank capacity	70L
Tire	
Tire size	652mm×295mm
Tire ground pressure	13kg/cm ²
Driving wheels	2
Braking wheels	2
Steering wheels	2
Weight	
Total weight	5200kg

Stowed



Trans



The print does not belong to the contract, nor a part of the commercial contract. We reserve the right to revise the product model, parameters, configuration based on the continuous improvement requirements of the product, without prior notice. Pictures are for reference only, and the specific product shall depend on the real product. The final interpretation rights belong to XCMG.