



SOLID
TO SUCCEED

AS

ARTICULATED BOOM LIFT XGA12ACK

Comply with AS

Standard configuration

- $\pm 90^\circ$ fly boom swing
- 2-wheel drive
- Lowering and motion alarm
- Tilt alarm
- Horn with adjustable volume
- Emergency stop devices on platform and chassis
- Emergency power unit
- 2-wheel braking system
- Proportional auto leveling system
- Proportional joystick control
- Drive enable
- Full-time positive traction drive
- Full-speed traveling motor
- Telematics front-end interface
- Anti-entrapment protection device
- Hostile environment package
- Thumb rocker steering



Working height
11.56 meters



Lift capacity
230Kg



Electric
power



Optional configuration

- Platform power
- Tool tray
- Working light assembly
- Platform with half-height mesh

XCMG FIRE-FIGHTING SAFETY EQUIPMENT CO.,LTD

No.17 Zhujiang East Road, Hi-Tech Development Zone, Xuzhou, Jiangsu, China
mewp@xcmg.com

XGA12ACK



SOLID
TO SUCCEED

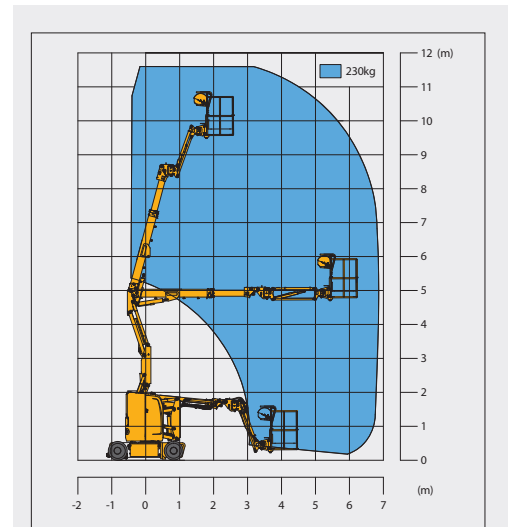
Articulated Boom Lift-Electric

| Item | Metric | |
|---------------------------------|--------|--------|
| Dimension | | |
| Overall dimension - stowed | Length | 5600mm |
| | Width | 1190mm |
| | Height | 2015mm |
| Overall dimension - transported | Length | 5360mm |
| | Width | 1190mm |
| | Height | 2630mm |
| Platform dimensions | Length | 1170mm |
| | Width | 760mm |
| | Height | 1150mm |
| Wheelbase | | 1650mm |
| Fly jib length | | 1240mm |
| Min. ground clearance | | 85mm |

| Performance | |
|---------------------------------------|----------------------------|
| Max. working height | 11.56m |
| Max. platform height | 9.56m |
| Max. outreach | 6.87m |
| Max. up and over clearance | 4.7m |
| Max. lift capacity | 230kg (unlimited) |
| Max. platform occupancy | 2 |
| Max. chassis allowable angle | X-3° / Y-3°(front)5°(back) |
| 1st boom luffing range | -12.5°~70° |
| 2nd boom luffing range | -5.5°~75° |
| Fly boom luffing range | -70°~70° |
| Turntable rotation | 355°Non-continuous |
| Platform rotation | 160° |
| Total weight | 7000kg |
| Driving speed (stowed) | 5km/h |
| Driving speed (raised or extended) | 0.6 km/h |
| Min. turning radius (inside/ outside) | 1760mm/3250mm |
| Turntable tailswing (stowed) | 0 mm |
| Max. gradeability | 35% (19.3°) |

| Power source | Maintenance-free lead-acid battery |
|-----------------------------|-------------------------------------------|
| Control | 12 V DC proportional control |
| Traveling motor | 3.3 kW/32 V |
| Emergency power supply | 12 V/110 Ah |
| Main power source - battery | 48 V/400Ah |
| Main power source - charger | 48 V/35 A |
| Hydraulic tank capacity | 16 L |

| Tire | |
|----------------------|-------------------------|
| Tire size | 557mm×178mm |
| Tire ground pressure | 10.83kg/cm ² |
| Driving wheels | 2 |
| Braking wheels | 2 |
| Steering wheels | 2 |



Stowed

