



SOLID
TO SUCCEED

AS

MAST LIFT XGR08J

Comply with AS

Standard configuration

- 2-wheel drive
- Lowering and moving alarm
- Tilt alarm
- Horn with adjustable volume
- Emergency stop of platform and chassis
- 2-wheel braking system
- Proportional self-leveling system
- Proportional joystick control
- Drive enable
- Full time positive traction drive
- Telematics pre-interface
- Anti-extrusion protection device
- Harsh environment kits
- Thumb rocker steering



Working height
8.2meters



Lift capacity
200Kg



Electric
power



Optional configuration

- Working light assembly
- Platform air pipe

XCMG FIRE-FIGHTING SAFETY EQUIPMENT CO.,LTD

No.17 Zhujiang East Road, Hi-Tech Development Zone, Xuzhou, Jiangsu, China
mewp@xcmg.com

XGR08J



SOLID
TO SUCCEED

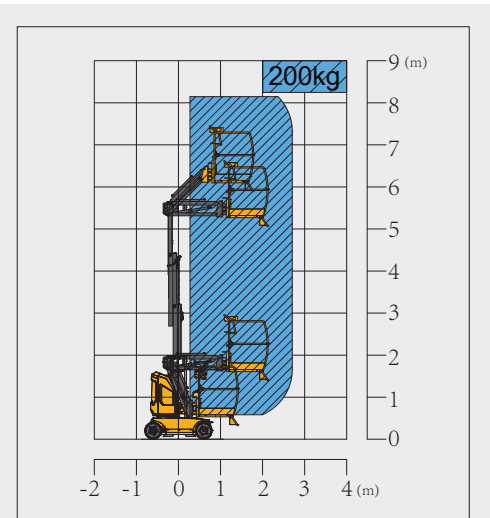
Mast Lift-Electric

Item	Metric	
Dimension		
Overall dimension - stowed state	Length	2230mm
	Width	990mm
	Height	2000mm
Overall dimension - transportation	Length	2230mm
	Width	990mm
	Height	2000mm
Platform dimension	Length	950mm
	Width	900mm
	Height	1150mm
Wheelbase		1200mm
Fly jib length		1170mm
Min. ground clearance		90mm

Performance	
Max. working height	8.2m
Max. platform height	6.2m
Max. working range	2.6m
Max. Up And Over Clearance	5.4m
Max. lift capacity	200kg (unlimited)
Max. number of occupants	2
Max. working slope	X-2.5° / Y-2.5°(front)2.5°(back)
Fly jib luffing range	-67°~45°
Turntable rotation	345°
Platform rotation	/
Total weight	2350kg
Driving speed (stowed)	5km/h
Driving speed (raised or extended)	0.6km/h
Min. turning radius (inside/outside)	1300mm/2100mm (front)
	700mm/1700mm (back)
Turntable tailswing (stowed)	170mm
Max. gradeability	25% (14°)

Power source	
Control	24V DC proportional control
Main power unit	2kW/16V
Traveling motor	1.1kW/16V
Main power source - battery	24V/228Ah
Main power source - charger	24V/36A
Hydraulic tank capacity	6L

Tire	
Tire size	406mm×125mm
Tire ground pressure	10.83kg/cm ²
Driving wheels	2
Braking wheels	2
Steering wheels	2



Stowed / Trans

