

XGR10J



SOLID
TO SUCCEED

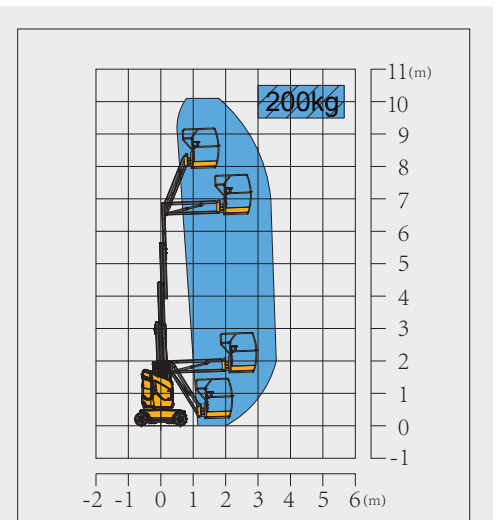
Mast Lift-Electric

Item	Metric	
Dimension		
Overall dimension - stowed state	Length	3010mm
	Width	990mm
	Height	2000mm
Overall dimension - transportation	Length	3010mm
	Width	990mm
	Height	2000mm
Platform dimension	Length	850mm
	Width	900mm
	Height	1150mm
Wheelbase		1200mm
Fly jib length		1600mm
Min. ground clearance		90mm

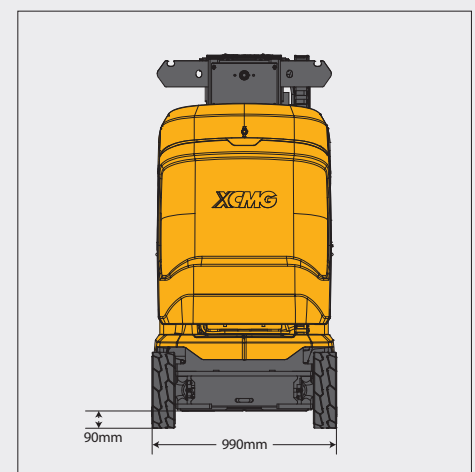
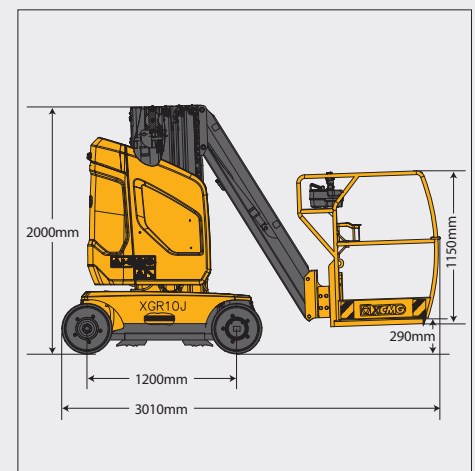
Performance	
Max. working height	10.1m
Max. platform height	8.1m
Max. working range	3.5m
Max. Up And Over Clearance	6.6m
Max. lift capacity	200kg (unlimited)
Max. number of occupants	2
Max. working slope	X-2.5° / Y-2.5°(front)2.5°(back)
Fly jib luffing range	-60°~66°
Turntable rotation	345°
Platform rotation	/
Total weight	3050kg
Driving speed (stowed)	5km/h
Driving speed (raised or extended)	0.6 km/h
Min. turning radius (inside/outside)	1300mm/2100mm (front) 700mm/1700mm (back)
Turntable tailswing (stowed)	120mm
Max. gradeability	25% (14°)

Power source	
Control	24V DC proportional control
Main power unit	2 kW/16 V
Traveling motor	1.1 kW/16 V
Main power source - battery	24 V/228 Ah
Main power source - charger	24 V/36 A
Hydraulic tank capacity	6L

Tire	
Tire size	406mm×125mm
Tire ground pressure	10.83kg/cm ²
Driving wheels	2
Braking wheels	2
Steering wheels	2



Stowed / Trans





SOLID
TO SUCCEED

AS

MAST LIFT XGR10J

Comply with AS

Standard configuration

- 2-wheel drive
- Lowering and moving alarm
- Tilt alarm
- Horn with adjustable volume
- Emergency stop of platform and chassis
- 2-wheel braking system
- Proportional joystick control
- Drive enable
- Full time positive traction drive
- Telematics pre-interface
- Anti-extrusion protection device
- Harsh environment kits
- Thumb rocker steering



Working height
10.1meters



Lift capacity
200Kg



Electric
power



Optional configuration

- Working light assembly
- Platform air pipe

XCMG FIRE-FIGHTING SAFETY EQUIPMENT CO.,LTD

No.17 Zhujiang East Road, Hi-Tech Development Zone, Xuzhou, Jiangsu, China
mewp@xcmg.com