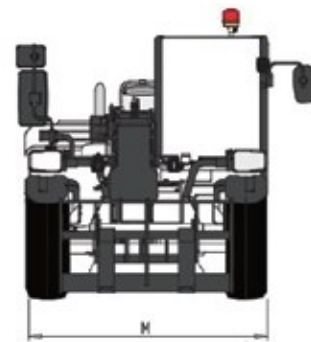
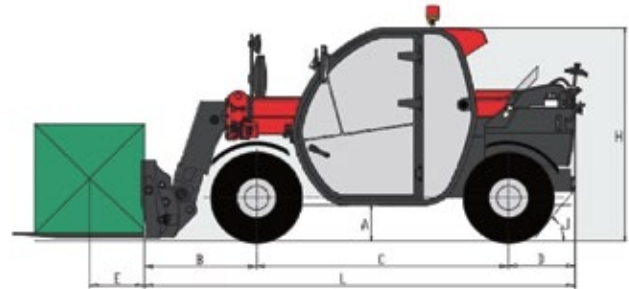
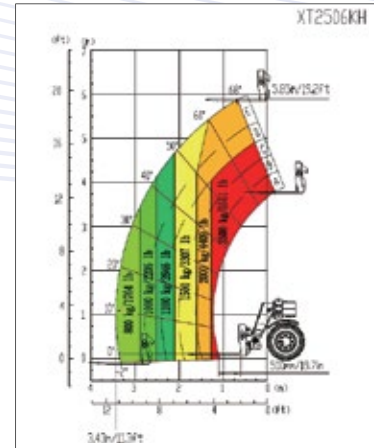


## TELEHANDLERS

# XT2506KH



### ► LOAD CHART



### ► STATIC DIMENSIONS

Dimensions		Metric
Min. Ground Clearance	A	330mm
Front Overhang	B	1025mm
Wheelbase	C	2300mm
Rear Overhang	D	605mm
Load Center Distance	E	500mm
Overall Length	L	3930mm
Overall Height	H	1975mm
Overall Width	M	1835mm
Approach Angle	I	/
Departure Angle	J	43°

# XT2506KH

## ▶ PARAMETERS

Parameters	Metric
<b>Dimensions</b>	
Overall Length	3930 mm
Overall Width	1835 mm
Overall Height	1975 mm
Wheelbase	2300 mm
Track Width	1500 mm
Min. Ground Clearance	330 mm
Fork Dimensions	1200 × 122 × 40 mm
<b>Weight and Tyres</b>	
Unladen Weight (with forks)	5200 kg
Standard Tyres / Tire Size	12-16.5
<b>Performance</b>	
Rated Load	2500 kg
Load Center Distance	600 mm
Max. Lifting Height (To Upper Plane Of Forks)	5.85 m
Lift Capacity At Max. Lifting Height	2000 kg
Max. Outreach (Boom Being Horizontal, Load Center Distance To The Front End Of Tyres)	3.43 m
Lift Capacity At Max. Outreach	800 kg
Boom Lifting Time	≤ 7.5 s
Boom Lowering Time	≤ 5.5 s
Boom Extension Time	≤ 4.8 s
Boom Retraction Time	≤ 3.5 s
Fork Dump Time	≤ 3.2 s
Fork Crowd Time	≤ 3.2 s
Boom Lifting Range	-2° ~ 68°
Fork Tilt Angle Range (Boom Being Horizontal)	-12° ~ 117°
Max. Travel Speed	20 km/h
Max. Traction Force	≥ 32 kN
Min. Turning Radius	≤ 3310 mm
<b>Engine</b>	
Power Source	Diesel Engine
Engine Brand/Model	Kubota V3307
Number Of Cylinders	4
Engine Rated Power	52.6 kw
Emissions	Stage V/T4F/Stage IV
Rated Speed	2400 r/min
Max. Torque @ Rpm	285 N.m@1500 rpm
Fuel Tank Capacity	95 L
<b>Transmission</b>	
Number of Gears (Forward/Reverse)	1/1
Transmission Type	Hydrostatic Transmission
Steering Mode	4-Wheel Steering
Drive Type	4x4
<b>Hydraulic System</b>	
Hydraulic Pump Type	Plunger Pump
Hydraulic System Pressure	28 MPa
Hydraulic System Flow	100 L/min
Hydraulic Tank Capacity	90 L

## ▶ STANDARD CONFIGURATION

- **Cab**
  - FOPS/ROPS Certified Cab
  - Air Conditioning
  - 4-Way Adjustable Steering Column
  - 8" Main Display
  - 4.3" Sub Display
  - Radio
  - Bluetooth Hands-Free
  - 12 V Power Outlet
  - USB/Type-C Charging Port
  - Roof Sun Blind
  - Front Sun Visor
  - Interior Rearview Mirror
  - Exterior Rearview Mirror
  - Reversing Camera
  - Front Wiper
  - Rear Wiper
  - Roof Wiper
  - Rear Window Defroster
  - Fire Extinguisher
  - Dual Rotating Beacon (Amber/Amber)
  - Air-Suspended Fabric Seat
  - Emergency Hammer
  - Emergency Stop Switch
  - Cup Holder
  - Reversing Buzzer
  - Multifunction Proportional Joystick
  - License Plate Light
- **Power Transmission**
  - 4-Wheel Drive
  - 3 Steering Modes
  - Rear Axle Centering Display
  - Front Axle Limited-Slip Differential
  - Wet Brake System
  - Engine Intake Heater
- **Electrical System**
  - Torque Limiter
  - Working Envelope Display
  - Joystick Lock
  - Boom-Mounted Work Light
  - Cab Front And Rear Work Lights
  - Seat Belt Unbuckled Alarm
  - Seat Occupancy Sensor/Unoccupied Alert
- **Hydraulic System**
  - Open-Center Load Sensing System
  - Boom Tip Damping System
  - Quick Coupler Pressure Relief
  - Automatic Fork Leveling

- **Miscellaneous**
  - Boom Safety Strut
  - Rear Tow Hitch

## ▶ OPTIONAL CONFIGURATION

- Dual Rotating Beacon (Amber/Green)
- Air-Suspended Leather Seat
- Electrically Adjustable Right Exterior Rear-View Mirror
- Telephone Holder
- Front Falling-Object Guard
- Foam-Filled Tyres
- Wheel Nut Indicators
- Wheel Chock
- Attachment Electrics
- Multi-Circuit Hydraulics for Attachments

## ▶ OPTIONAL ATTACHMENTS

- Fork
- Bucket
- Hook
- Rotator