

Nice

Automation systems
for industrial doors.

2026 Catalogue

Industrial Door



Nice Industrial Door

2026 Catalogue

Contents:

WHY NICE

Who We Are	6
Nice for Industrial Doors Automation Systems	8

FOR COUNTERBALANCED SECTIONAL DOORS

11

Design Guidelines	11
SD Standard Gearmotor Models	12
SD Product Key Information	13
SD Emergency Operation Options	13
SD Standard Gearmotors and Door Drum Typical Diameters	14
SD Standard Gearmotor Sizes	15

FOR HIGH SPEED DOORS

17

Design Guidelines	17
HDFI Standard Gearmotor Models	18
HDFI Product Key Information	19
HDFI Emergency Operation Options	19
HDFI Standard Gearmotors and Typical Winding Diameters	20
HDFI Standard Gearmotor Sizes (small)	21
HDFI Standard Gearmotor Sizes (medium)	21

FOR ROLLING SHUTTERS

23

Design Guidelines	23
RDF Standard Gearmotor Models	24
RDF Product Key Information	25
RDF Emergency Operation Options	25
RDF Standard Gearmotors and Typical Door Diameters	26
RDF Standard Gearmotor Sizes (small)	27
RDF Standard Gearmotor Sizes (medium)	28
RDF Standard Gearmotor Sizes (large)	29

CONTROL UNITS

30

Standard Control Units main features	31
D-Pro Action	32
D-Pro Automatic	33
UDL1	34
Combi Control	35

KITS, CABLES AND ACCESSORIES

Typical Basic Kits	38
Standard Motor - Control Unit Cables	39
Mechanical Accessories	39
Safety and Control Accessories	40



*Click and go to
the pages*

Nice

Who We Are



True freedom is an open world.

For us, opening is not just a gesture: it is freedom of movement, of time, of choice. It is an invitation to experience technology as something that simplifies life and opens up new possibilities.

We design automation systems and smart solutions for space management, where functionality and design meet. For our partners, this means modular products, easy to install and reliable over time. For those who use them, it means living every day in a simpler and safer way: an experience that makes technology a natural part of daily life.

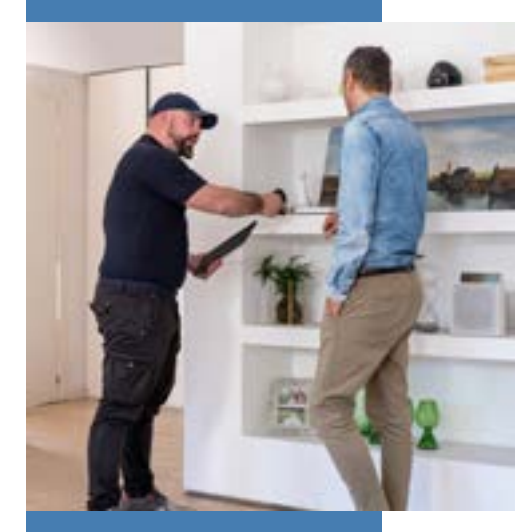
Why Nice?

Because Nice is a global partner: we are present in over 100 countries, speak more than 20 languages, and bring with us the richness of over 40 nationalities. Because our portfolio covers every need for automation and smart space management, with solutions that integrate into a single complete ecosystem. Because our products combine innovation and simplicity: easy to install, intuitive to use, designed to improve quality of life.



The value of design.

For Nice, design is not just aesthetics. It is care for form and details, attention to the process from design to production, with the goal of making every interaction simpler and more natural. And it is user experience: systems that communicate with those who install them and those who use them, to turn technology into an intuitive, pleasant, and everyday gesture.



Training alongside our partners.

We stand alongside installation professionals, offering comprehensive training on products and systems. Nice know-how becomes a concrete tool for professional growth, enabling us to confidently meet customer needs. The courses adapt to everyone's pace: in-person, via webinar, or online, to convey all technical knowledge and provide practical tools that facilitate daily work and improve the consumer experience.



Quality and warranty.

Every day, in our laboratories, we carry out rigorous and highly accurate tests, supported by cutting-edge technologies and state-of-the-art tools. Our goal is to ensure maximum safety, quality, reliability, and superior durability over time.



Our planet is the Earth, our home is the future.

We design for a clean, sustainable, and safe future.

At Nice, we believe that “true freedom is an open world,” and this principle also guides our commitment to sustainability. We want to create open, inclusive, and safe environments that promote well-being, innovation, and respect for the planet. We embrace sustainability to drive progress and improve people’s quality of life, while protecting the planet.



Tailored for life, planet, and future.

For Nice, sustainability means improving the lives of those who choose us, while caring for the planet.

We develop solutions that optimize light, heat and energy, monitor air quality, and enhance well-being and safety.

We design systems that reduce consumption and environmental impact, promoting energy efficiency across everyday living.

Through Life Cycle Assessment and EPD certification, we create sustainable, safe and recyclable products and packaging — supporting conscious well-being and a more responsible future

Nice

Nice for Industrial Doors Automation Systems.

Nice products stand out for their advanced electronics, high aesthetic quality and attention to details.

Nice has made significant investments to guarantee maximum quality standards, always focus on continuous product improvement through high-tech procedures and experimentation.

Quality and safety, along with a focus on product design, are the focus of our commitment to constant improvement of our products and processes sustainability.

100% of the control units and gear motors are subjected to end-of-line testing on a dedicated test bench.

The test procedure includes:

- Electrical safety checks and routine inspections according to applicable requirements
- Complete functional test with simulation of the work sequence and checking of all inputs/outputs
- Final visual inspection to verify assembly and packaging.

Nice operates with a certified quality management system and adopts a structured development process that ensures the analysis and compliance with all applicable technical and safety requirements from the design phase.

The products are certified and comply with the essential requirements for market placement, including those relating to electrical safety and electromagnetic compatibility.



The right solutions for all door automations in trade and industry.

Nice is the right partner for all your automation systems providing a wide experience and a full range of products to be integrated to your doors. Together with our partners we can manage complete automation projects with the highest flexibility and reliability.



Nice

Automation systems for counterbalanced sectional doors

Instruction manuals



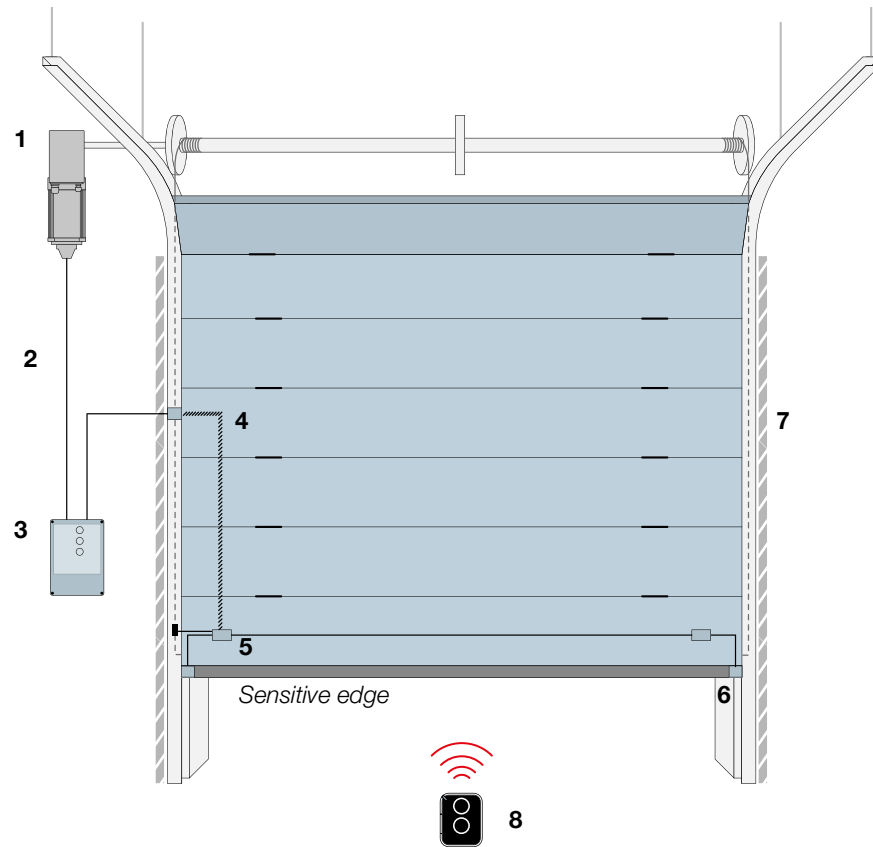
SCAN ME

Index



Typical Counterbalanced Sectional Door Automation.

Design Guidelines



LEGENDA

- 1. Motor 2. Motor - Control Unit Cable 3. Control Unit
- 4. Spiral Cable 5. Junction Box 6. Optosensors
- 7. Light Barriers 8. Transmitter

For Accessories (4, 5, 6, 7)
See Page 37 →

For Control Unit (3)
See Page 30 →

For Motor Control Unit Cables (2)
See Page 39 →

Nice helps you in designing the best package for your door automation.

On Site Data

01

Knowing the door mechanical features and sizes is the starting point to properly identify the required motor model. Resulting automation performances are therefore optimized and the after sales risk is minimized.

Motor Choice

02

Resulting automation performances are therefore optimized and the after sales risk is minimized.

Control Unit Choice

03

The control unit is the intelligent core of the system so granting the correct automation working and safety. Nice accessories may complete the system in a very professional way.

Motor Control Unit Cable Choice

04

Accessories Choice

05

Nice can support all partners not only sharing the technical information but also with proper training both on pre-sales and after sales activities.

SD Standard Gearmotor Models (EL Version)

Model	Item	Item Description	Max Door Surface *	Max Door Weight *	Max Torque	Rated Torque	Output Speed	Max. Hold. Torque	Cycles-Hour	Operating Voltage	Ø Diam.	Limit Switches	Motor Power	Rated Current	Emerg. Oper.	Inverter	Brake	Anti-fallback System	Weight	IP Protec. Rate	Aver. El. Consumpt.
			sqm	kg	Nm	Nm	rpm	Nm		V	mm		kW	A					kg		Wh
SD-70-20	NDCM1122A	SD-70-20 3_400 D25.4 EL15 0.37KW KE-5 IP54	23	300	70	56	20	600	8**/15*	3_400	25,40	EL15	0,37	1,6	KE-5	-	-	-	10	IP54	5.5
	NDCMT001B	SD-70-20 1N_230 D25.4 EL15 0.37KW KE-5 IP54	19	250	60	48	20	600	5**/13*	1N_230	25,40	EL15	0,37	2,6	KE-5	-	-	-	10	IP54	5.5
SD-100-24	NDCM0074	SD-100-24 3_400 D25.4 EL15 0.37KW E IP54	35	450	100	80	24	600	7**/18*	3_400	25,40	EL15	0,37	1,6	E	-	-	-	11	IP54	5.5
	NDCM0199A	SD-100-24 3_400 D25.4 EL15 0.37KW KE-5 IP54	35	450	100	80	24	600	7**/18*	3_400	25,40	EL15	0,37	1,6	KE-5	-	-	-	11	IP54	5.5
SD-120-20	NDCM0214A	SD-120-20 3_400 D25.4 EL15 0.37KW KE-5 IP54	41	530	120	96	20	600	5**/13*	3_400	25,40	EL15	0,37	1,6	KE-5	-	-	-	11	IP54	5.5
SD-140-20	NDCM0102A	SD-140-20 3_400 D25.4 EL15 0.55KW KE-5 IP54	46	600	140	112	20	600	6**/15*	3_400	25,40	EL15	0,55	2,4	KE-5	-	-	-	12	IP54	8.1
	NDCM0158	SD-140-20 3_400 D25.4 EL15 0.55KW E IP54	46	600	140	112	20	600	6**/15*	3_400	25,40	EL15	0,55	2,4	E	-	-	-	12	IP54	8.1

* Estimated values in case of 13 Kg / sqm door and 120 mm door drum diameter. ** Cycles per hour guaranteed at max limit switch as per TUV regulation.

Notes for specific technical issues,
See Page 36 →

SD Product Key Information

How to read the product name.

Item NDCM0199A

Item Description

SD-100-24 3_400 D25.4 EL15 0.37KW KE-5 IP54

Serie	Max Torque Nm	Output Speed rpm	Operating Voltage V	Ø Diameter mm	Limit Switch	Motor Power kW	Emergency Operation	IP Protection Rate
SD	70	20	3_400	25,40	EL 15	0,37	E	IP 54
	80	24	1N_230	31,75	ME 15	0,55	KE-5	
	100	30					KU	
	120							
	140							

SD Emergency Operation Options

**KE-5
Chain
Release**



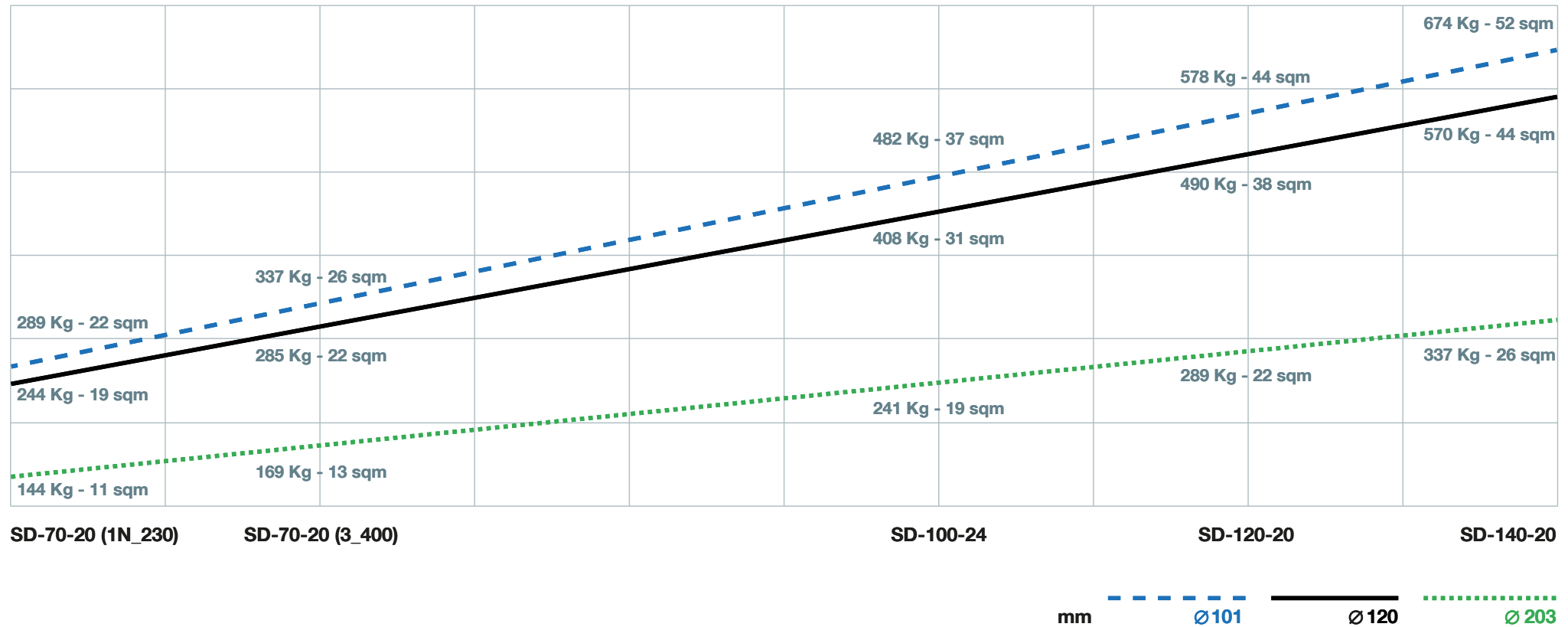
**E
Declutch**



Brake free:

all Sectional gearmotors are not equipped with electromagnetic brake thanks to the irreversibility characteristics of the gear itself.

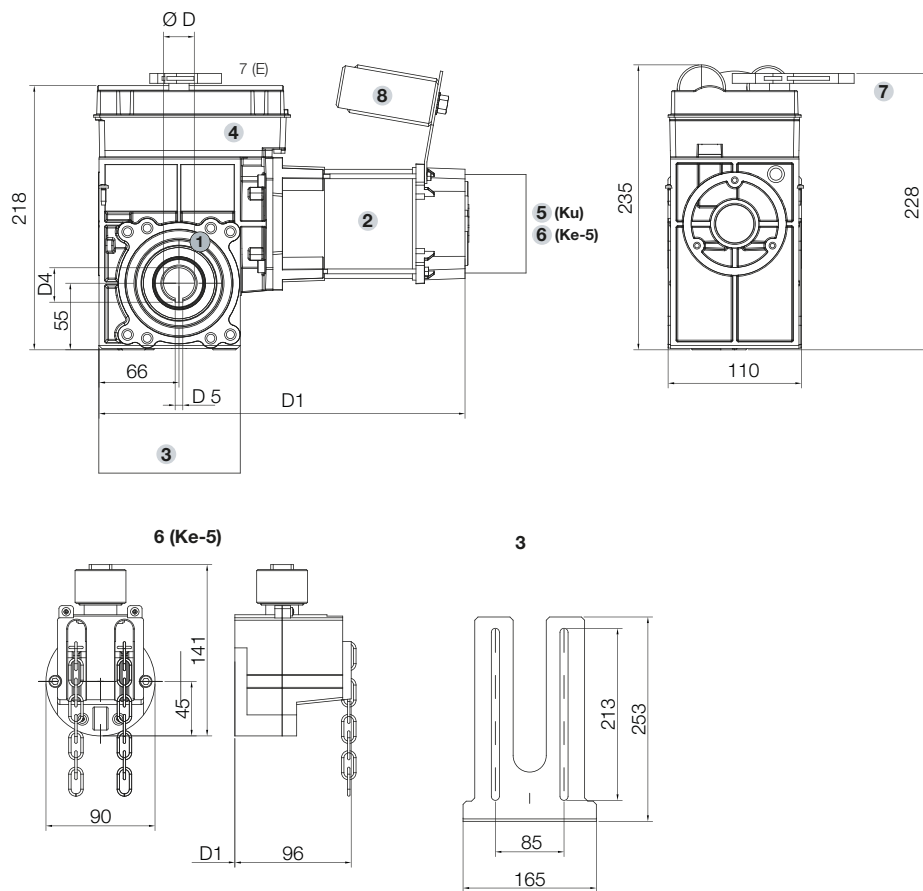
SD Standard Gearmotors and Door Drum Typical Diameters



Drum mm	SD-70-20 (1N_230)		SD-70-20 (3_400)		SD-100-24		SD-120-20		SD-140-20	
	Kg *	sqm *	Kg *	sqm *	Kg *	sqm *	Kg *	sqm *	Kg *	sqm *
101	289	22	337	26	482	37	578	44	674	52
120	244	19	285	22	408	31	490	38	570	44
203	144	11	169	13	241	19	289	22	337	26

* Estimated values in case of 13 kg / sqm doors and 20% weight tolerance.

SD Standard Gearmotor Sizes



Gearmotors Parts and Dimensions

Item	Parti	D	D1	D4	D5
NDCM1122A	1-2-3*-4-6	25,40	322	28,40	6,35
NDCMT001B	1-2-3*-4-6-8	25,40	322	28,40	6,35
NDCM0074	1-2-3*-4-7	25,40	307	28,40	6,35
NDCM0199A	1-2-3*-4-6	25,40	307	28,40	6,35
NDCM0214A	1-2-3*-4-6	25,40	322	28,40	6,35
NDCM0158	1-2-3*-4-7	25,40	307	28,40	6,35
NDCM0102A	1-2-3*-4-6	25,40	307	28,40	6,35

* Separate delivery in the same packing.

LEGENDA

1. Gearbox 2. Motor 3. Bracket 4. Limit Switch Housing (Electronic or Mechanical) 5. Crank Release 6. Chain Release 7. Manual Release 8. Capacitors.

Nice

Automation systems for high speed doors

Instruction manuals



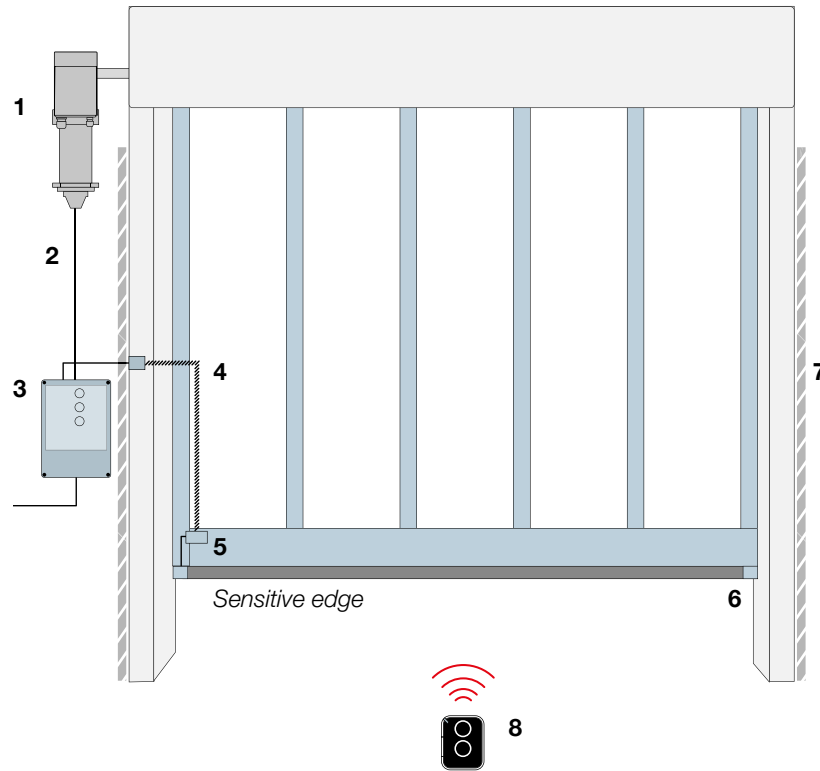
SCAN ME

Index



Typical High Speed Door Automation.

Design Guidelines



LEGENDA

1. Motor **2.** Motor - Control Unit Cable **3.** Control Unit
4. Spiral Cable **5.** Junction Box **6.** Optosensors **7.** Light Barriers **8.** Transmitter

For Accessories (4, 5, 6, 7)
See Page 37 →

For Control Unit (3)
See Page 30 →

For Motor Control Unit Cables (2)
See Page 39 →

Nice helps you in designing the best package for your door automations.

On Site Data

01

Knowing the door mechanical features and sizes is the starting point to properly identify the required motor model. Resulting automation performances are therefore optimized and the after sales risk is minimized.

Motor Choice

02

Control Unit Choice

03

The control unit is the intelligent core of the system so granting the correct automation working and safety. Nice accessories may complete the system in a very professional way.

Motor Control Unit Cable Choice

04

Accessories Choice

05

Nice can support all partners not only sharing the technical information but also with proper training both on pre-sales and after sales activities.

HDFI Standard Gearmotor Models

Model	Item	Item Description	Max Door Surface *	Max Door Weight *	Max Torque	Rated Torque	Output Speed **	Max. Cycles/Hour	Operating Voltage ***	Ø Diarn.	Limit Switches	Motor Power	Rated Current	Emerg. Oper.	Inverter	Brake	Anti-fallback System	Weight	IP Protec. Rate	Aver. El. Consumpt.
			sqm	kg	Nm	Nm	rpm		V	mm		kW	A					kg	Wh	
HDFI-45-95	NDCM0271A	HDFI-45-95 1N_230 D30 EL15 0.9KW KU BR INV IP54	5	42	45	36	95	100/209	1N_230	30,00	EL15	0,9	4,5	KU	●	●	●	16	IP54	2.2
	NDCM1164	HDFI-45-95 1N_230 D25 EL15 0.9KW KU BR INV IP54	5	42	45	36	95	100/209	1N_230	25,00	EL15	0,9	4,5	KU	●	●	●	16	IP54	2.2
HDFI-60-130	NDCM1162A	HDFI-60-130 1N_230 D30 EL15 1.1KW KU BR INV IP54	7	55	60	48	130	130/271	1N_230	30,00	EL15	1,1	4,8	KU	●	●	●	16	IP54	2.7
	NDCM1163	HDFI-60-130 1N_230 D25 EL15 1.1KW KU BR INV IP54	7	55	60	48	130	130/271	1N_230	25,00	EL15	1,1	4,8	KU	●	●	●	16	IP54	2.7
HDFI-80-90	NDCM1160A	HDFI-80-90 1N_230 D30 EL15 0.9KW KU BR INV IP54	9	75	80	64	90	76/159	1N_230	30,00	EL15	0,9	4,8	KU	●	●	●	16	IP54	2.2
	NDCM1161	HDFI-80-90 1N_230 D25 EL15 0.9KW KU BR INV IP54	9	75	80	64	90	76/159	1N_230	25,00	EL15	0,9	4,8	KU	●	●	●	16	IP54	2.2
HDFI-100-120	NDCM1159	HDFI-100-120 1N_230 D40 EL20 2.2KW KU BR INV IP54	12	93	100	80	120	85/237	1N_230	40,00	EL20	2,2	15,8	KU	●	●	●	37	IP54	5.4
HDFI-220-60	NDCM1165	HDFI-220-60 1N_230 D40 EL20 2.2KW KU BR INV IP54	26	205	220	176	60	40/111	1N_230	40,00	EL20	2,2	12,7	KU	●	●	●	37	IP54	5.4
HDFI-280-40	NDCM1158	HDFI-280-40 1N_230 D40 EL20 2.2KW KU BR INV IP54	33	260	280	224	40	26/72	1N_230	40,00	EL20	2,2	15,5	KU	●	●	●	37	IP54	5.4

* Estimated Values in case of 8 Kg / sqm door and 133 mm winding pipe diameter. ** Estimated values with 50 Hz settings. *** 3_230 Volt Motors driven by Inverter (1N_230 power supply).

Notes for specific technical issues,
See Page 36 →

HDFI Product Key Information

How to read the product name.

Item NDCM1159

Item Description

HDFI-100-120 1N_230 D40 EL20 2.2KW KU BR INV IP54

Serie	Max Torque	Output Speed	Operating Voltage	Ø Diameter	Limit Switch	Motor Power	Emergency Operation	Brake	Inverter	IP Protection Rate
	Nm	rpm	V	mm		kW				
HDFI	45	40	1N_230	25,00	EL 15	0,90	KU	BR	INV	IP54
	60	60		25,40	EL 20	1,10				
	80	90		30,00		2,20				
	100	95		40,00						
	220	120								
	280	130								

HDFI Emergency Operation Option

**KU
Hand Crank**

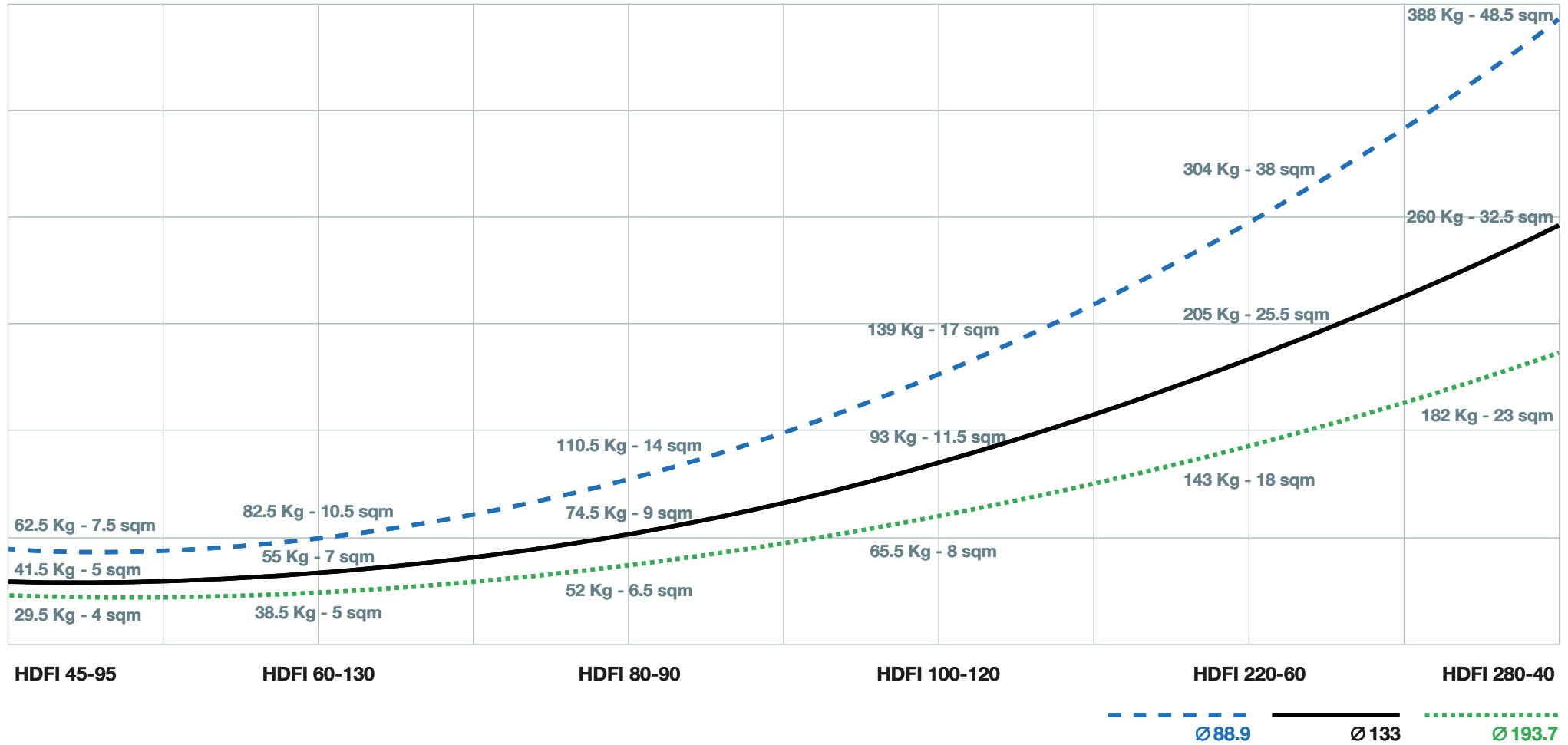


Speed regulation.

HDFI gearmotors are equipped with frequency inverter for a smooth management of speed and acceleration both on upwards and downwards door movements. The stress reduction on the mechanical parts can therefore grant a longer automation lifetime and less after sales risks.

Easy of use: pre-set control unit configurations when High Speed motor is used in combination with frequency inverter.

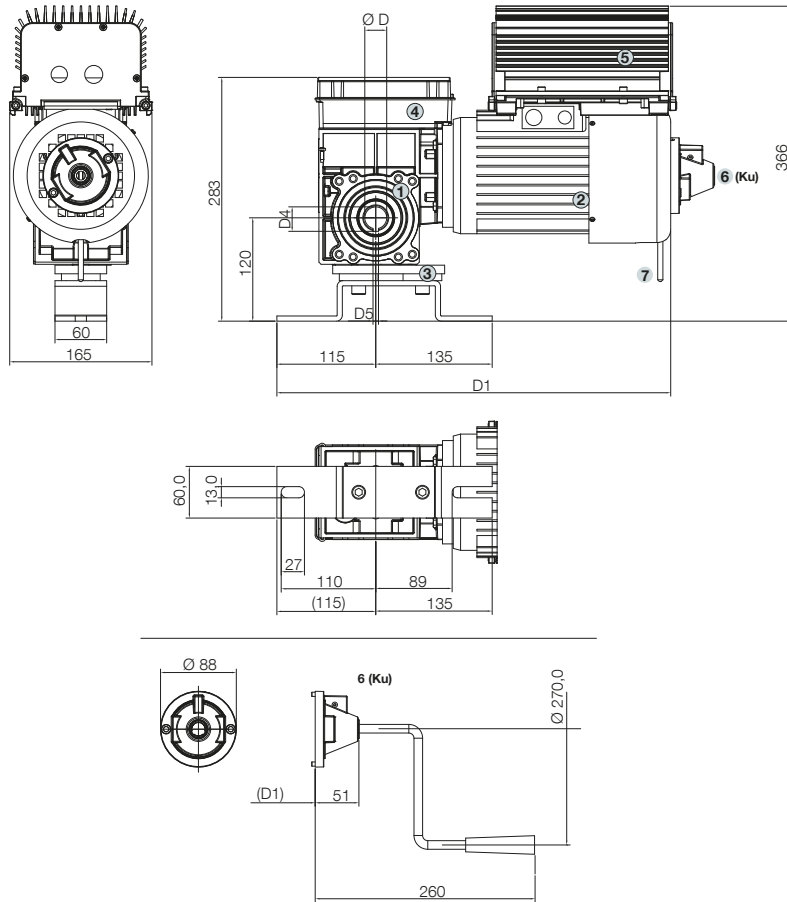
HDFI Standard Gearmotors and Typical Winding Diameters



Winding Diameter	HDFI 45-95		HDFI 60-130		HDFI 80-90		HDFI 100-120		HDFI 220-60		HDFI 280-40	
mm	Kg*	sqm*	Kg*	sqm*	Kg*	sqm*	Kg*	sqm*	Kg*	sqm*	Kg*	sqm*
88	62	7	82	10	110	14	139	17	304	38	388	48
101	55	7	73	9	98	12	123	15	270	34	344	43
114	49	6	65	8	87	11	109	13	239	30	304	38
133	41	5	55	7	74	9	93	11	205	25	260	32
159	37	4	49	6	65	8	80	10	179	22	226	28
193	29	4	38	5	52	6	65	8	143	18	182	23

* Estimated values in case of 6 mm PVC foil (8 kg / sqm) and 20% weight tolerance.

HDFI Standard Gearmotor Sizes (small)



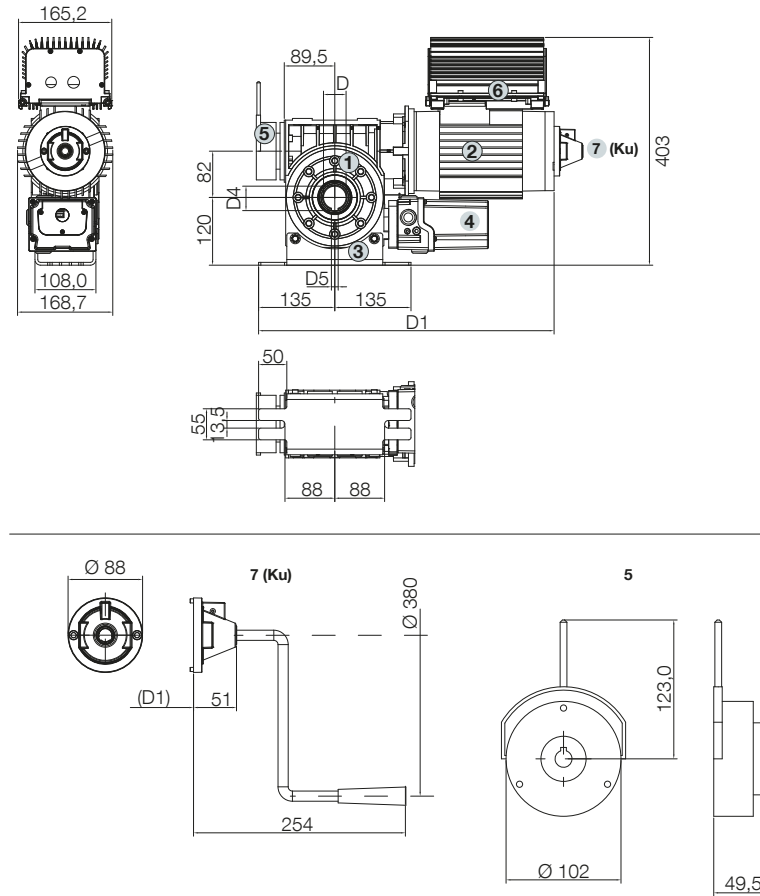
Gearmotors Parts and Dimensions

Item EL	Parts	D	D1	D4	D5
NDCM0271A	1-2-3-4-5-6-7	30,00	458	33,30	8
NDCM1164	1-2-3-4-5-6-7	25,00	458	28,30	6
NDCM1162A	1-2-3-4-5-6-7	30,00	458	33,30	8
NDCM1163	1-2-3-4-5-6-7	25,00	458	28,30	6
NDCM1160A	1-2-3-4-5-6-7	30,00	458	33,30	8
NDCM1161	1-2-3-4-5-6-7	25,00	458	28,30	6

LEGENDA

1. Gearbox 2. Motor 3. Bracket 4. Limit Switch Housing (Electronic) 5. Inverter 6. Crank Release 7. Brake.

HDFI Standard Gearmotor Sizes (medium)



Gearmotors Parts and Dimensions

Item EL	Parts	D	D1	D4	D5
NDCM1159	1-2-3-4-5-6-7	40,00	525	43,30	12
NDCM1165	1-2-3-4-5-6-7	40,00	525	43,30	12
NDCM1158	1-2-3-4-5-6-7	40,00	525	43,30	12

LEGENDA

1. Gearbox 2. Motor 3. Bracket 4. Limit Switch (Electronic) 5. Brake 6. Inverter 7. Crank Release.

Nice

Automation systems for rolling shutters

Instruction manuals

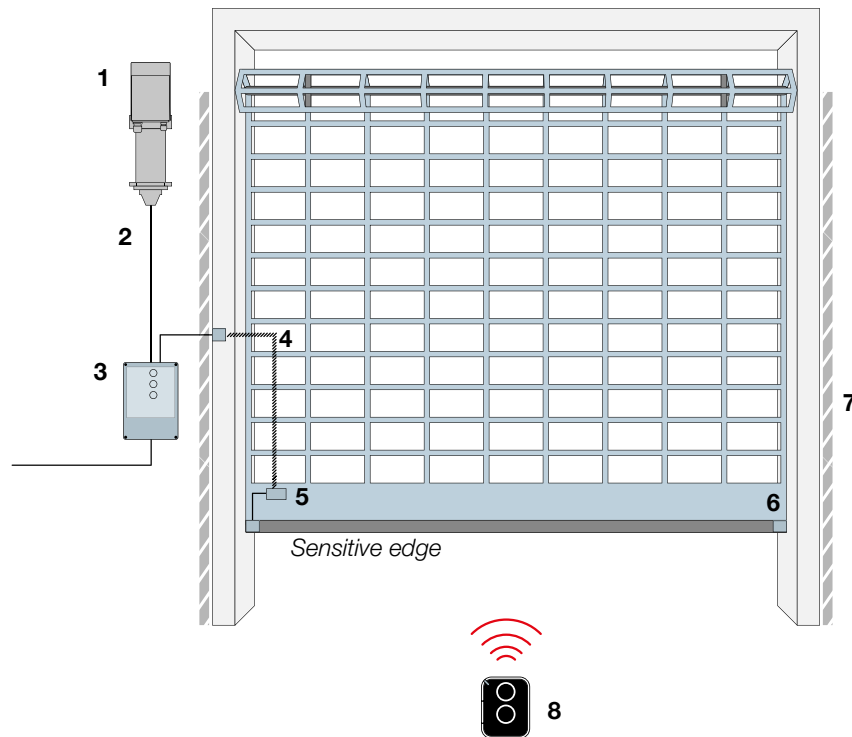


SCAN ME



Typical RDF Rolling Shutter Door Automation.

Design Guidelines



LEGENDA

- 1. Motor 2. Motor - Control Unit Cable 3. Control Unit
- 4. Spiral Cable 5. Junction Box 6. Optosensors
- 7. Light Barriers 8. Transmitter

For Accessories (4, 5, 6, 7)
See Page 37 →

For Control Unit (3)
See Page 30 →

For Motor Control Unit Cables (2)
See Page 39 →

Nice helps you in designing the best package for your door automation.

On Site Data

01

Knowing the door mechanical features and sizes is the starting point to properly identify the required motor model. Resulting automation performances are therefore optimized and the after sales risk is minimized.

Motor Choice

02

Control Unit Choice

03

The control unit is the intelligent core of the system so granting the correct automation working and safety. Nice accessories may complete the system in a very professional way.

Motor Control Unit Cable Choice

04

Accessories Choice

05

Nice can support all partners not only sharing the technical information but also with proper training both on pre-sales and after sales activities.

RDF Standard Gearmotor Models (EL Version)

Model	Item	Item Description	Max Door Surface *	Max Door Weight *	Max Torque	Rated Torque	Opout Speed	Max. Cycles/Hour *	Operating Voltage	Ø Diam.	Limit Switches	Motor Power	Rated Current	Emerg. Oper.	Brake	Anti-fallback System	Weight	IP Protec. Rate	Aver. El. Consumpt.
			sqm	kg	Nm	Nm	rpm		V	mm		kW	A				kg		Wh
RDF-140-20	NDCM1074	RDF-140-20 3_400 D30 EL15 0.55KW KU IP54	9	115	140	112	20	4/10	3_400	30	EL15	0,55	2,0	KU	-	●	12	IP 54	8.1
	NDCM0205	RDF-220-15 3_400 D30 EL20 1.1KW KE2-5 IP54	14	182	220	176	15	5/17	3_400	30	EL20	1,10	3,4	KE2-5	-	●	22	IP 54	16.2
RDF-220-15	NDCM1076	RDF-220-15 3_400 D30 EL20 1.1KW KU IP54	14	182	220	176	15	5/17	3_400	30	EL20	1,10	3,4	KU	-	●	22	IP 54	16.2
	NDCM1069	RDF-290-15 3_400 D30 EL20 1.1KW KE2-5 IP54	18	238	290	232	15	7/23	3_400	30	EL20	1,10	3,4	KE2-5	-	●	24	IP 54	16.2
RDF-290-15	NDCM1071	RDF-290-15 3_400 D30 EL20 1.1KW KU IP54	18	238	290	232	15	7/23	3_400	30	EL20	1,10	3,4	KU	-	●	24	IP 54	16.2
RDF-380-15	NDCM1077	RDF-380-15 3_400 D40 EL20 1.5KW KE2-5 IP54	24	313	380	304	15	3/10	3_400	40	EL20	1,50	4,6	KE2-5	-	●	27	IP 54	22
RDF-450-15	NDCM1068	RDF-450-15 3_400 D40 EL20 1.5KW KE2-5 IP54	28	371	450	360	15	3/10	3_400	40	EL20	1,50	4,6	KE2-5	-	●	28	IP 54	22
	NDCM1073	RDF-450-15 3_400 D40 EL20 1.5KW KU IP54	28	371	450	360	15	3/10	3_400	40	EL20	1,50	4,6	KU	-	●	28	IP 54	22
RDF-550-12	NDCM0208	RDF-550-12 3_400 D40 EL20 1.5KW KE2-5 IP54	35	454	550	450	12	7/23	3_400	40	EL20	1,50	4,6	KE2-5	-	●	28	IP 54	22
	NDCM1075	RDF-550-12 3_400 D40 EL20 1.5KW KU IP54	35	454	550	450	12	7/23	3_400	40	EL20	1,50	4,6	KU	-	●	28	IP 54	22
RDF-850-10	NDCM0200	RDF-850-10 3_400 D55 EL10 2.2KW KE2-5 IP54	54	702	850	680	10	8/13	3_400	55	EL10	2,20	7,5	KE2-5	●	●	29	IP 54	32.3
	NDCM1045	RDF-850-10 3_400 D55 EL10 2.2KW KU IP54	54	702	850	680	10	8/13	3_400	55	EL10	2,20	7,5	KU	●	●	29	IP 54	32.3

* Estimated values in case of 13 kg / sqm & 25 mm thickness door, winding diameter 133 mm and 20% weight tolerance.

Notes for specific technical issues,
See Page 36 →

RDF Product Key Information

How to read the product name.

Item NDCM1072

Item Description

RDF-380-15 3_400 D40 EL20 1.5KW KE2-5 BR IP54

Serie	Max Torque Nm	Output Speed rpm	Operating Voltage V	Ø Diameter mm	Limit Switch	Motor Power kW	Emergency Operation	Brake	IP Protection Rate
RDF	140	10	3_400	30.00	EL 10	0.55	KE2-5	BR	IP 54
	220	12		40.00	EL 15	1.10	KU		
	290	15		55.00	EL 20	1.50			
	380	20			ME 10	2.20			
	450				ME 15				
	550				ME 20				
	850								

RDF Emergency Operation Options

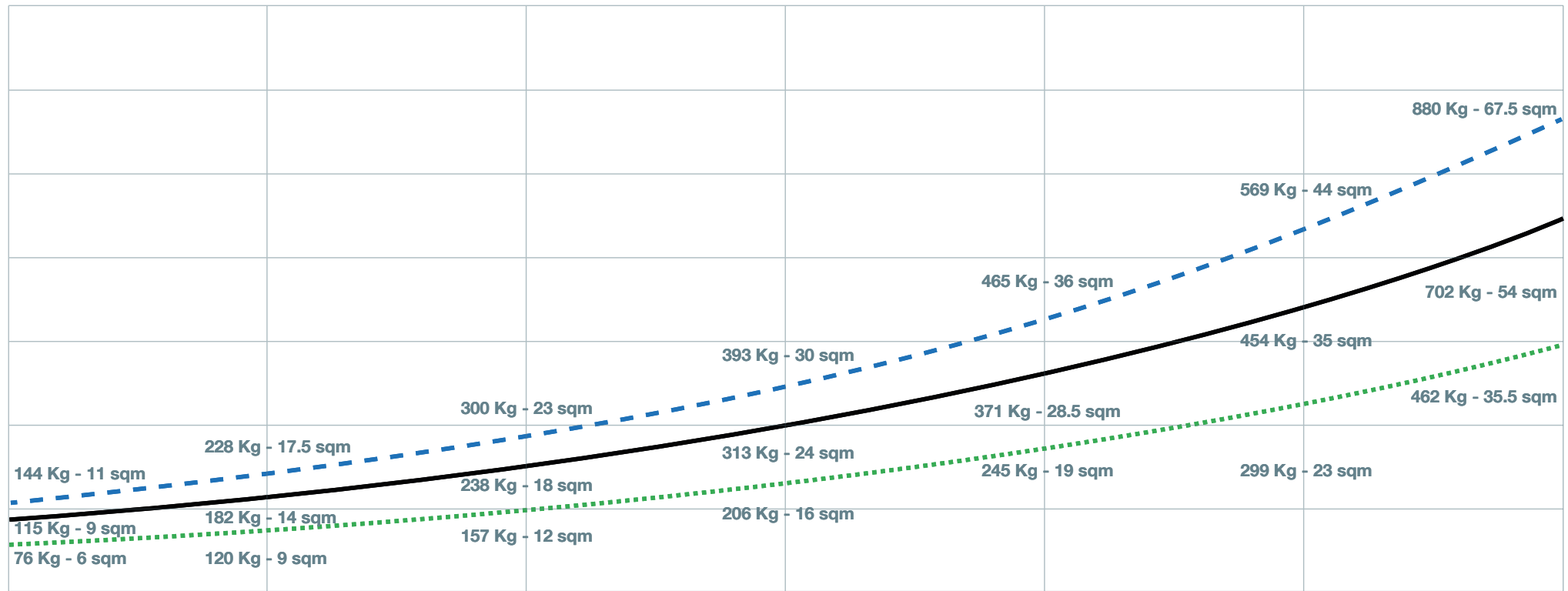
KU
Hand Crank



KE2-5
Chain Release



RDF Standard Gearmotor Models and Typical Door Winding Diameters



RDF-140-20 RDF-220-15 RDF-290-15 RDF-380-15 RDF-450-15 RDF-550-12 RDF-850-10

--- Ø 101 ——— Ø 133 Ø 219

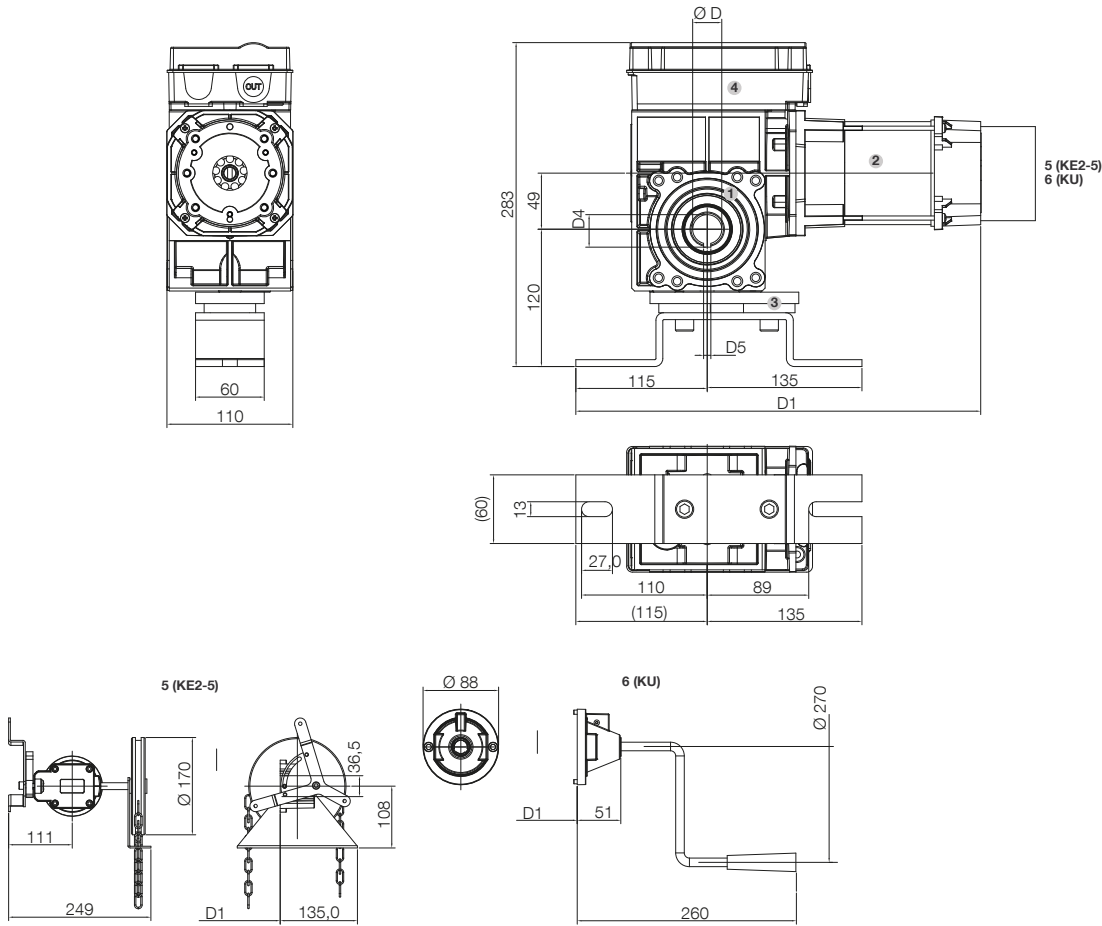
Winding Diam	RDF 140-20		RDF 220-15		RDF 290-15		RDF 380-15		RDF 450-15		RDF 550-12		RDF 850-10	
mm	Kg*	sqm*	Kg*	sqm*	Kg*	sqm*	Kg*	sqm*	Kg*	sqm*	Kg*	sqm*	Kg*	sqm*
101.6	144	11	228	18	300	23	393	30	465	36	569	44	880	68
114.3	131	10	208	16	274	21	360	28	426	33	520	40	804	62
133	115	9	182	14	238	18	313	24	371	29	454	35	702	54
159	99	8	156	12	206	16	270	21	320	25	390	30	603	47
193.7	90	7	143	11	189	15	248	19	293	23	359	28	555	43
219.10	76	6	120	9	157	12	206	16	245	19	299	23	462	36

* Estimated values in case of 13 kg / sqm & 25 mm thickness door, winding diameter 133 mm and 20% weight tolerance.

RDF Standard Gearmotor Sizes (small)

Gearmotors Parts and Dimensions

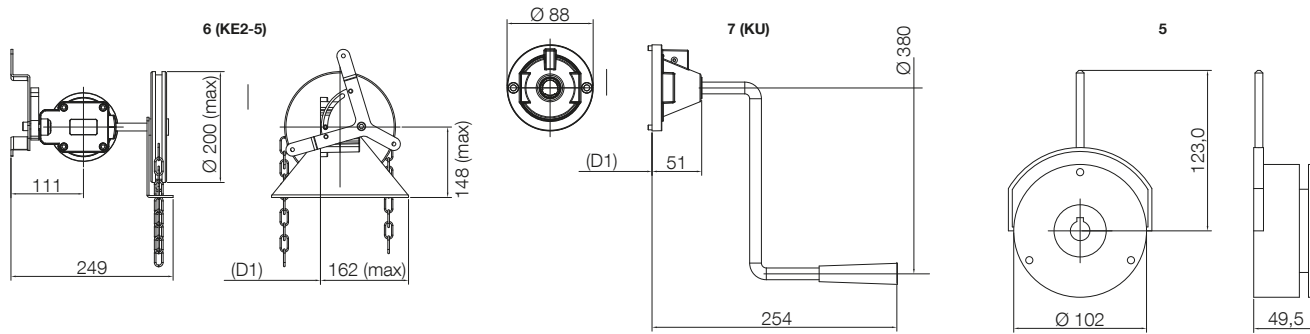
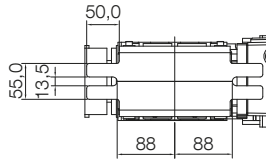
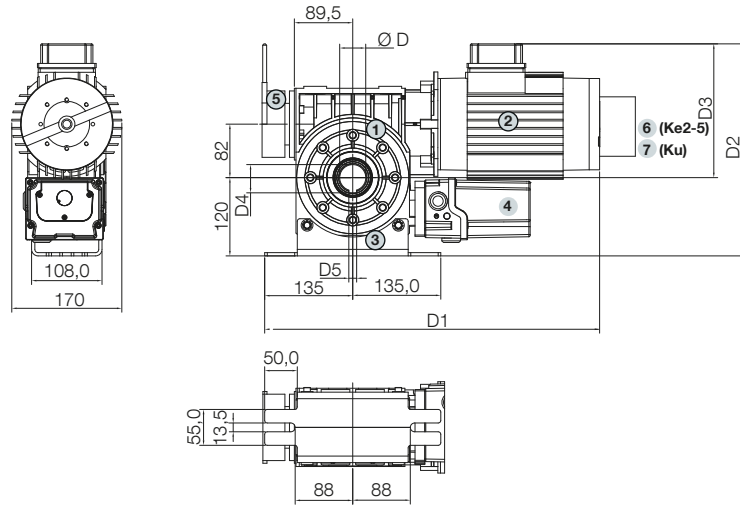
Item EL	Parts	D	D1	D4	D5
NDCM1074	1-2-3-4-6	30	356	33.3	8



LEGENDA

1. Gearbox 2. Motor 3. Bracket 4. Limit Switch Housing (electronic or mechanical) 5. Crank Release 6. Chain Release.

RDF Standard Gearmotor Sizes (medium)



Gearmotors Parts and Dimensions

Item EL	Parts	D	D1	D2	D4	D5
NDCM0205	1-2-3-4-6	30,00	524	327	33,30	8
NDCM1076	1-2-3-4-7	30,00	524	327	33,30	8
NDCM1069	1-2-3-4-7	30,00	524	327	33,30	8
NDCM1071	1-2-3-4-7	30,00	524	327	33,30	8
NDCM1077	1-2-3-4-6	40,00	524	327	43,30	12
NDCM1068	1-2-3-4-6	40,00	524	327	43,30	12
NDCM1073	1-2-3-4-7	40,00	524	327	43,30	12
NDCM0208	1-2-3-4-6	40,00	524	327	43,30	12
NDCM1075	1-2-3-4-7	40,00	524	327	43,30	12

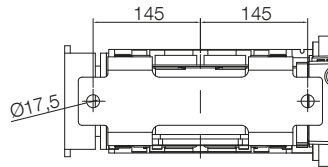
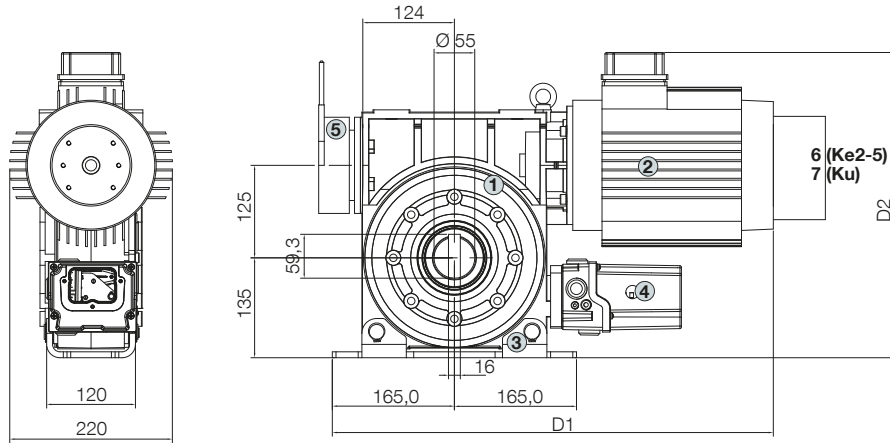
LEGENDA

1. Gearbox 2. Motor 3. Bracket 4. Limit Switch Housing (electronic or mechanical) 5. Brake 6. Chain Release 7. Crank Release.

RDF Standard Gearmotor Sizes (large)

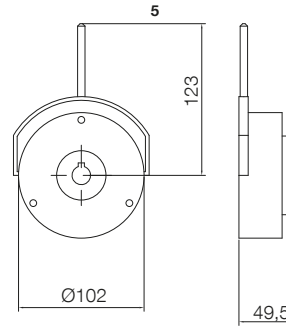
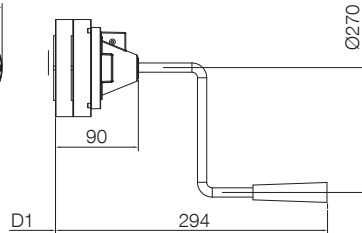
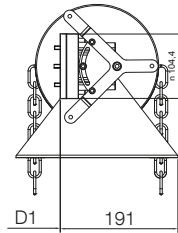
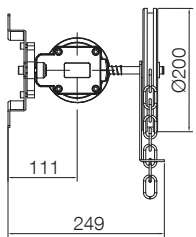
Gearmotors Parts and Dimensions

Item EL	Parts	D	D1	D2
NDCM0200	1-2-3-4-5-6	55,00	596	400
NDCM1045	1-2-3-4-5-7	55,00	596	400



6 (Ke2-5)

7 (Ku)



LEGENDA

1. Gearbox 2. Motor 3. Bracket 4. Limit Switch Housing (electronic or mechanical) 5. Brake 6. Chain Release 7. Crank Release.

Nice Control Units

Index



Standard Control Units Main Features

Model	Item	Item Description	Operating Voltage Volts	Inverter	Brake	Power kW	Avail. Buttons	Main Switch	Emerg. Button	Conn. Cable	IP Protec. Rate
D-PRO Action	NDCC2000	D-PRO ACT 3_400 2.2 KW 3DT CEE IP65	3_400	-	-	2,2	3DT	-	-	CEE	65
	NDCC2001	D-PRO ACT 3_400 2.2 KW 3DT EMERG CEE IP65	3_400	-	-	2,2	3DT	-	●	CEE	65
	NDCC2002	D-PRO ACT 3_400 2.2 KW 3DT SWT CEE IP65	3_400	-	-	2,2	3DT	●	-	CEE	65
	NDCC2100	D-PRO ACT 3_400 BR 2.2 KW 3DT CEE IP65	3_400	-	●	2,2	3DT	-	-	CEE	65
	NDCC2200	D-PRO ACT 1N_230 BR 2.2 KW 3DT SCH IP65	1N_230	-	●	2,2	3DT	-	-	Schuko	65
	NDCC2202	D-PRO ACT 1N_230 BR 2.2 KW 3DT SWT SCH IP65	1N_230	-	●	2,2	3DT	●	-	Schuko	65
DPRO Automatic	NDCC1000	D-PRO AUT 3_400 BR 2.2 KW 3DT CEE IP65	3_400	-	●	2,2	3DT	-	-	CEE	65
	NDCC1001	D-PRO AUT 3_400 BR 2.2 KW 3DT EMERG CEE IP65	3_400	-	●	2,2	3DT	-	●	CEE	65
	NDCC1002	D-PRO AUT 3_400 BR 2.2 KW 3DT SWT CEE IP65	3_400	-	●	2,2	3DT	●	-	CEE	65
	NDCC1100	D-PRO AUT 1N_230 INV BR 2.2 KW 3DT SCH IP65	1N_230	●	●	2,2	3DT	-	-	Schuko	65
	NDCC1101	D-PRO AUT 1N_230 INV BR 2.2 KW 3DT EMERG SCH IP65	1N_230	●	●	2,2	3DT	-	●	Schuko	65
	NDCC1200	D-PRO AUT 1N_230 BR 2.2 KW 3DT SCH IP65	1N_230	-	●	2,2	3DT	-	-	Schuko	65
	NDCC1201	D-PRO AUT 1N_230 BR 2.2 KW 3DT EMERG SCH IP65	1N_230	-	●	2,2	3DT	-	●	Schuko	65
	NDCC1202	D-PRO AUT 1N_230 BR 2.2 KW 3DT SWT SCH IP65	1N_230	-	●	2,2	3DT	●	-	Schuko	65
UDL1 Dock Leveller Control	NICC3A215B	UDL1 3_400 1DT SWT IP65	3_400	-	-	2,2	1DT	●	-	CEE	65
Combi-Control	NICC5A995B	CMB_AUT 3_400 BR 3DT 1DT SWT IP65	3_400	-	●	2,2	4DT	●	-	CEE	65

D-Pro Action

Control units for motors with mechanical or electronic limit switch.



Practical door operation with Up - Stop - Down buttons on the box cover

Main features:

- Automatic mode or deadman operation.
- Can be used with all Nice gearmotors single phase without inverter and three phase with a max. motor power: 2,2kW.
- Connectivity: compatible with BiDi WiFi module for intuitive parameters setting.
- Simple programming with 2 diagnosis leds.
- Compatible with all kinds of safety bars, even remote systems without cable.
- Possibility to connect a light curtain.
- IP65 housing.
- Integrated Socket for the Nice plug-in receiver OXIBD.
- Cycle counter.
- Available with brake circuit control.
- Available with boost capacitor circuit control.

Possible customizations:

- Personalized front label.
- HQ main switch.
- Emergency stop mushroom.
- Key switch selector.



Per la programmazione della centrale da smartphone o tablet.



ADDITIONAL MODULE



NDA040

For optional potential free outputs.

BIDI-WIFI

Plug-in programming interface to configure the automation via smartphone.

RECEIVER AND TRANSMITTER



OXIBD



MYGO

TECHNICAL SPECIFICATIONS

Technical data	
Suitable for EL and ME Limit Switches	•
Operating Voltage (V AC)	3_400
Operating Frequency (Hz)	50
Operating Control Voltage (V DC)	24
Output Supply	24 Vdc max 0.1A
Output Valves	-
Operating Temperature (°C)	-20 / +50
Max Motor Power / Door (kW)	2,2
Weight (kg)	2,5
Stand by Power	< 5W
Housing	
4 Digits Display	-
Dimensions (H x W x D - mm)	310 x 210 x 125
IP Protection Rate	IP65
Diagnostics Led	•
Left or Right lid opening	•
Buttons Available	3DT
Integrated Socket for OXIBD	•
Power Supply Cable (CA00247A00)	•
Main Functions (D)	
Automatic or deadman operation	•
Programmable pre-limit input	•
Compatible with safety devices	•
Fire Protection Function	-
Programming protection via PIN	-
Working Hours counter	-
Partial Door Opening / Closing	-
Adjustable Service Intervals (on display)	-
Cycle Counter	•
Main Functions (R)	
Sensor Connection for Dock Lev. Lock.	-
Stop Input	•
Additional Functions	
I / O Optional Expansion	NDA040

Instruction manuals



SCAN ME

D-Pro Automatic

Advanced control units for motors with mechanical or electronic limit switch.



Practical door operation with Up - Stop - Down buttons on the box cover

Main features:

- Suitable for almost all industrial motors with 2.2 kW max power (single phase and three-phase).
- Compatible with integrated or external frequency converter for accurate acceleration and speed control.
- Connectivity: compatible with NDA004 Bluetooth module for Fw upload.
- Easy programming and diagnostic systems.
- Compatible with all kinds of control and safety systems.
- Compatible with OXIBD Nice remote control.
- IP65 Housing.

Possible customizations:

- Personalized front label.
- HQ main switch.
- Emergency stop mushroom.
- Key switch selector.



ADDITIONAL MODULE



NDA030

For a two-way traffic light and extra programmable inputs/outputs



NDA004

Bluetooth Module

RECEIVER AND TRANSMITTER



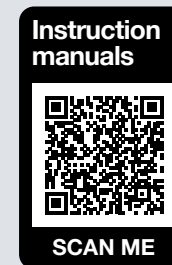
OXIBD



MYGO

TECHNICAL SPECIFICATIONS

Technical data	
Suitable for EL and ME Limit Switches	•
Operating Voltage (V AC)	3_400
Operating Frequency (Hz)	50
Operating Control Voltage (V DC)	24
Output Supply	24 Vdc max 0.6A
Output Valves	-
Operating Temperature (°C)	-20 / +50
Max Motor Power / Door (kW)	2,2
Weight (kg)	3,5
Stand by Power	< 4W
Housing	
4 Digits Display	•
Dimensions (H x W x D - mm)	310 x 210 x 125
IP Protection Rate	IP65
Diagnostics Led	•
Left or Right lid opening	•
Buttons Available	3DT
Integrated Socket for OXIBD	-
Power Supply Cable (CA00247A00)	•
Main Functions (D)	
Automatic or deadman operation	•
Programmable pre-limit input	•
Compatible with safety devices	•
Fire Protection Function	•
Programming protection via PIN	•
Working Hours counter	•
Partial Door Opening / Closing	•
Adjustable Service Intervals (on display)	•
Cycle Counter	•
Main Functions (R)	
Sensor Connection for Dock Lev. Lock.	-
Stop Input	•
Additional Functions	
I / O Optional Expansion	NDA030



UDL1

Control units for single valve hinged lip loading ramps.

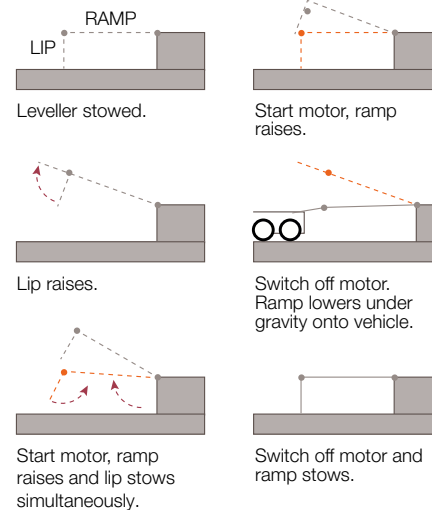


Main features:

- High quality main power switch.
- Integrated phase control.
- Connection for ramp locking sensor.
- Cee Standard Plug.
- IP65 housing.

Possible customizations:

- Personalized front labels.
- Emergency stop mushroom.
- Connection for ramp locking sensor.
- Key switch selector.



TECHNICAL SPECIFICATIONS

Code	NICC3A215B
Technical data	
Suitable for EL and ME Limit Switches	-
Operating Voltage (V AC)	3, 400
Operating Frequency (Hz)	50
Operating Control Voltage (V DC)	24
Output Supply	-
Output Valves	1 x 24Vdc max 1A
Operating Temperature (°C)	-20 / +50
Max Motor Power / Door (kW)	2
Weight (kg)	2,35
Stand by Power	< 5W
Housing	
4 Digits Display	-
Dimensions (H x W x D - mm)	310 x 210 x 125
IP Protection Rate	IP65
Diagnostics Led	•
Left or Right lid opening	•
Buttons Available	1DT
Integrated Socket for OXIBD	-
Power Supply Cable (CA00247A00)	•
Main Functions (D)	
Automatic or deadman operation	-
Programmable pre-limit input	-
Compatible with safety devices	-
Fire Protection Function	-
Programming protection via PIN	-
Working Hours counter	-
Partial Door Opening / Closing	-
Adjustable Service Intervals (on display)	-
Cycle Counter	-
Main Functions (R)	
Sensor Connection for Dock Lev. Lock.	•
Stop Input	-



Combi Control

Double control for doors and loading ramps.

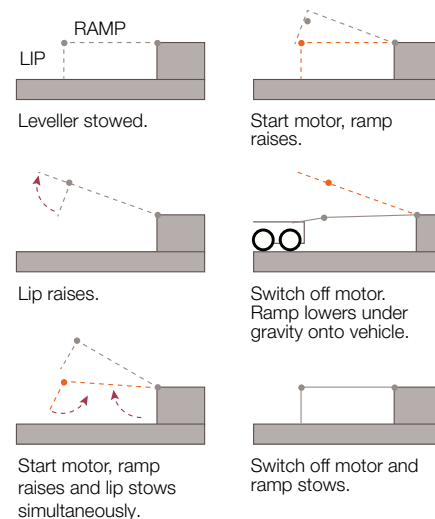


Main features:

- High quality main power switch.
- Door and Ramp Control with integrated bidirectional interlock.
- DPRO parameters and functions easily programmable.
- Compatible with all safety edges.
- Connection for ramp locking sensor.
- Cee Standard Plug.
- IP65 housing.

Possible customizations:

- Personalized front labels
- Emergency stop mushroom
- Key switch selector.



ADDITIONAL MODULE



NDA030

For a two-way traffic light and extra programmable inputs/outputs



RECEIVER AND TRANSMITTER



OXIBD



MYGO

TECHNICAL SPECIFICATIONS

		Combi Control	
		Door	Ramp
Code	NICC5A995B		
Technical data			
Suitable for EL and ME Limit Switches	•	-	-
Operating Voltage (V AC)	3_400	3_400	
Operating Frequency (Hz)	50	50	
Operating Control Voltage (V DC)	24	24	
Output Supply	24 Vdc max 0.6A	-	
Output Valves	-	1 x 24Vdc 1 A max	
Operating Temperature (°C)	-20 / +50	-20 / +50	
Max Motor Power / Door (kW)	2,2	2	
Weight (kg)	3,5	2,35	
Stand by Power	< 4W	< 5W	
Housing			
4 Digits Display	•	-	
Dimensions (H x W x D - mm)	310 x 210 x 125	310 x 210 x 125	
IP Protection Rate	IP65	IP65	
Diagnostics Led	-	•	
Left or Right lid opening	•	•	
Buttons Available	3DT	1DT	
Integrated Socket for OXIBD	-	-	
Power Supply Cable (CA00247A00)	•	•	
Main Functions (D)			
Automatic or deadman operation	•	-	
Programmable pre-limit input	•	-	
Compatible with safety devices	•	-	
Fire Protection Function	•	-	
Programming protection via PIN	•	-	
Working Hours counter	•	-	
Partial Door Opening / Closing	•	-	
Adjustable Service Intervals (on display)	•	-	
Cycle Counter	•	-	
Main Functions (R)			
Sensor Connection for Dock Lev. Lock.	-	•	
Stop Input	•	-	
Additional Functions			
I / O Optional Expansion	NDA030	-	

Instruction manuals

SCAN ME

Instruction manuals

SCAN ME

Nice

Additional Technical Information

The maximum number of cycles per hour is referred to the maximum run according to the limit switches settings. When using smaller run, this number can increase accordingly. According to the safety rules this value cannot be exceeded.

The second value is the one according to EN 60335-2-103.

"N_max" value is referred to the peak value and cannot be used in the standard working cycle. When working in very cold conditions (under 0 C) the max torque value may reduce accordingly.

Depending on the application, **absorbed current** can increase (even to 4 times the Rated Current value) in the startup sequence. Please make sure the line can supply required power.

Gearmotor breaking performances do depend also from the working temperature. Higher working temperature may reduce the breaking results.

"N_m" "N_max" value is referred to the standard frequency settings (50 Hz). When increasing such working frequency, the maximum torque N will be reduced accordingly.

IP protection rate is granted only if the application and the installation are properly done.

Emergency opening sequence can be activated directly from the gearmotor. In such case the gearmotor is no longer connected to the door that therefore may be free to fall down.

Any service and / or modification on the products can be done only by authorised and expert personnel.

Gearmotors equipped with safety brake (parachute) do follow the DIN EN 12604 / 12605 norms. When using gearmotors not equipped with parachute, the application must follow all safety rules.

All information does refer to the **standalone gearmotor** whose real performances will depend from the complete application. Technical data and limitations must not be exceeded for any reason.

Standard working temperature for all gearmotors is -5 / +40 C.

Nice

Kits, Cables and Accessories



Nice

Typical Basic Kits

Sectional door motor 70Nm 1_230 with D-Pro Automatic

Item	Item Description
NDCMT001B	SD-70-20 1N_230 D25.4 EL15 0.37KW KE-5 IP54
NDCC1200	D-PRO AUT 1N_230 BR 2.2 KW 3DT SCH IP65
CA0175A00	7m Cable Small EL

Sectional door motor 100Nm 3_400 with D-Pro Automatic

Item	Item Description
NDCM0199A	SD-100-24 3_400 D25.4 EL15 0.37KW KE-5 IP54
NDCC1000	D-PRO AUT 3_400 BR 2.2 KW 3DT CEE IP65
CA0175A00	7m Cable Small EL

Sectional door motor 140Nm 3_400 with D-Pro Automatic

Item	Item Description
NDCM0102A	SD-140-20 3_400 D25.4 EL15 0.55KW KE-5 IP54
NDCC1000	D-PRO AUT 3_400 BR 2.2 KW 3DT CEE IP65
CA0175A00	7m Cable Small EL

Complete the kit

CABLE



CA0454A00

Spiral cable 5 x 0,5 qmm,
0,8 m spiraled / 1,6 m stretched.

CA0455A00

Spiral cable 5 x 0,5 qmm,
0,8 m spiraled / 3 m stretched.

CA0456A00

Spiral cable 5 x 0,5 qmm,
0,8 m spiraled / 5m stretched.

SAFETY ACCESSORY

OPTION 1



NDA011

Junction Box black, with board,
plugable with hole Ø 16 m.



920132111001

Optosensors with Diagnosis
function (10.5 m long cable).

OPTION 2



NDA010

Junction box with pneumatic switch.

Standard Motor - Control Unit Cables

Cables for Electronic and Mechanical Limit Switch Motors

Item	Item Description	Limit Switches	Gearmotor Size	Cable Length (m)
CA0174A00	5m Cable Small EL	EL	Small	5
CA0175A00	7m Cable Small EL	EL	Small	7
CA0176A00	11m Cable Small EL	EL	Small	11
CA0177A00	5m Cable Medium/Big EL	EL	Medium/Big	5
CA0178A00	7m Cable Medium/Big EL	EL	Medium/Big	7
CA0179A00	11m Cable Medium/Big EL	EL	Medium/Big	11

Mechanical Accessories

Shaft Adapters

Item	Item Description	Gearmotor Size (mm)	Shaft Size (mm)	A	B	L
NDA500	SHAFT_ADAPT_MOT_31.75_SH_25.40	31,75	25,40	31,70	25,40	110,00
NDA501	SHAFT_ADAPT_MOT_40.00_SH_25.40	40,00	25,40	40,00	25,40	120,00
NDA502	SHAFT_ADAPT_MOT_40.00_SH_30.00	40,00	30,00	40,00	30,00	120,00
NDA503	SHAFT_ADAPT_MOT_40.00_SH_31.75	40,00	31,75	40,00	31,75	120,00
NDA504	SHAFT_ADAPT_MOT_55.00_SH_40.00	55,00	40,00	55,00	40,00	140,00
NDA505	SHAFT_ADAPT_MOT_30.00_SH_25.40	30,00	25,40	30,00	25,40	120,00
NDA506	SHAFT_ADAPT_MOT_30.00_SH_25.00	30,00	25,00	30,00	25,00	110,00
NDA507	SHAFT_ADAPT_MOT_40.00_SH_25.00	40,00	25,00	40,00	25,00	120,00



NB: other mechanical accessories on demand

Chain Extension

Item	Description
900029000050	Additional chain, 5 m length
100031010001	Link for additional chain

Nice

Safety and Control Accessories

Programmazione



BIDI-WIFI

Plug-in programming interface to configure the automation via smartphone.



NDA004

Bluetooth module for Fw upload.

Door Safety



920811000010

Slack Rope Cylindrical Switch Rope Brake against cable breaks.

Pneumatic Sensor



NDA010

Junction box with pneumatic switch.

Opto-Sensors



NDA011

Junction Box black, with board, plugable with hole Ø 16 m.



920132111001

Optosensors with Diagnosis function (10.5 m long cable).

Spiral Cable



CA0454A00

Spiral cable 5 x 0,5 qmm, 0,8 m spiraled / 1,6 m stretched.



CA0455A00

Spiral cable 5 x 0,5 qmm, 0,8 m spiraled / 3 m stretched.

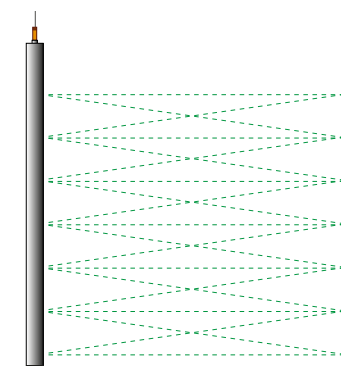


CA0456A00

Spiral cable 5 x 0,5 qmm, 0,8 m spiraled / 5m stretched.

Light Barriers

Code	Description
TCLS	Light Barrier (2500 mm)
TCLS1	Light Barrier (2000 mm)
TCLSFSS230	FSS controler for Light Curtain 230 Vac
TCLSFSS24	FSS controler for Light Curtain 24 Vdc





Cataloghi Nice:

Smart Home

Un sistema integrato, connesso e aperto che rende la casa sicura, efficiente e confortevole.

Smart Home Solutions



SCAN ME

Gate&Door

Sistemi per il controllo di cancelli, porte da garage e barriere.

Gate&Door Solutions



SCAN ME

Sun Shading Solutions

Sistemi per l'automazione e la gestione di tende, tapparelle e avvolgibili.

Sun Shading Solutions



SCAN ME

Security

Il sistema di smart home security per la gestione integrata del tuo sistema di allarme e delle automazioni Nice.

Security Solutions



SCAN ME

I nostri prodotti e le nostre tecnologie sono protette con brevetti, modelli di design e marchi. Qualsiasi violazione sarà perseguita legalmente.

We make even the smallest of gestures extraordinary.

Automation and control systems for gates, garage doors, blinds, awnings and rolling shutters and alarm systems for all types of space, from private homes to large public buildings.

Nice, a world without barriers.

www.niceforyou.com

Nice SpA
Oderzo, TV, Italy

The logo consists of a dark blue square with the word "Nice" written in white, bold, sans-serif font in the center.