

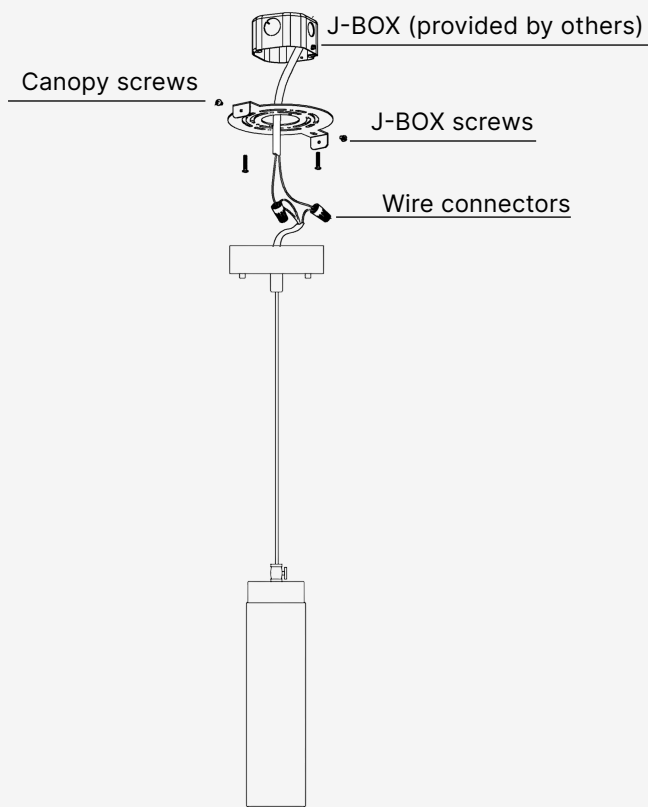
IMPORTANT: Carefully read all instructions before installing the fixture. Ignoring these guidelines could result in death, severe injury, or significant property damage. Keep these instructions for future use.

! WARNING! RISK OF FIRE, ELECTRIC SHOCK, OR SERIOUS INJURY

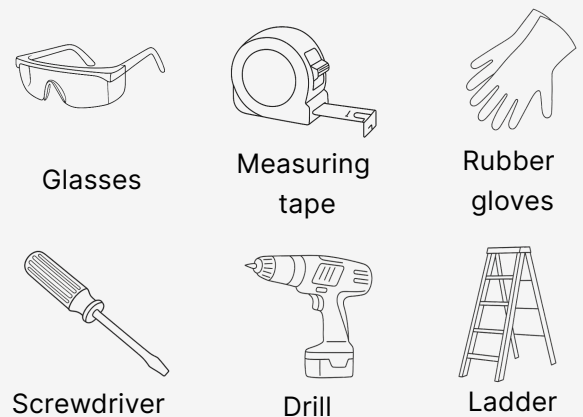
Installation must be performed by a qualified electrician in accordance with the National Electrical Code (NEC) and local regulations.

- Always disconnect power at the circuit breaker before starting work.
- CAUTION – Risk of Fire: Do not install or operate near flammable materials. Do not cover the fixture with any combustible materials.
- Use minimum 90°C rated supply conductors.
- Confirm voltage compatibility before connection.
- Operating temperature range: -20°C to +40°C. Relative humidity must remain between 0% and 95%. Operation outside these conditions may reduce product lifespan.
- Do not tamper with sealed LED components or touch LEDs with bare hands.
- Avoid circuits shared with HVAC or motorized equipment to prevent surges.
- In the event of failure, the driver or transformer may be replaced with a manufacturer-approved equivalent. The use of non-approved replacements is prohibited and will void the warranty.
- Connect fixtures in parallel only; do not daisy-chain.
- Use only UL-listed connectors appropriate for the environment (wet/dry).
- Ensure the mounting surface is level, stable, and structurally adequate.

INSTALLATION DIAGRAM



Tools You May Need

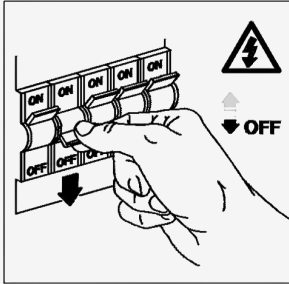


CERTIFICATION



Step 1

Turn OFF the power at the main fuse box.
Ensure the wall switch in the room where the fixture is being installed is also in the OFF position.



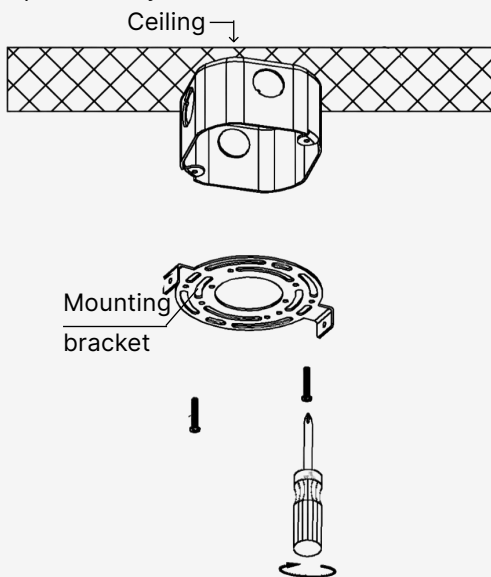
Step 2

Install the GU10 bulbs into the socket.



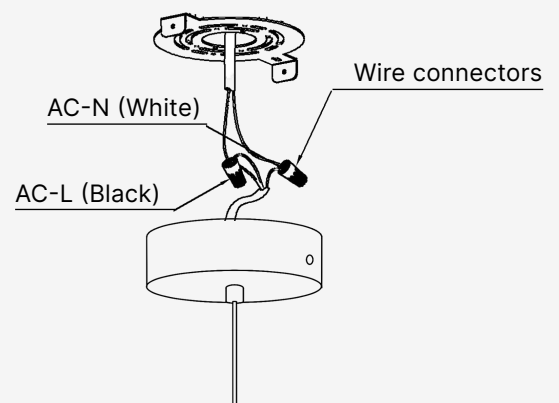
Step 3

Take out the plastic anchors.
Drill four holes (Ø8mm) in the ceiling in alignment with the mounting bracket.
Insert the plastic anchors into the holes.
Using two J-BOX screws, secure the mounting bracket to the J-BOX, as shown in the diagram below.
Note: J-BOX should be Garvin 54171-S or UL listed equivalent (provided by others).



Step 4

Use wire connectors to connect the L (live) and N (neutral) wires. After completing the connections, place all wires with connectors into the junction box (J-box). Secure the mounting bracket and canopy with screws. Then, release any cable tension by loosening the cable grippers.

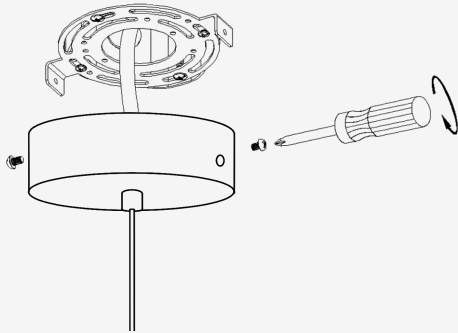


CERTIFICATION



Step 6

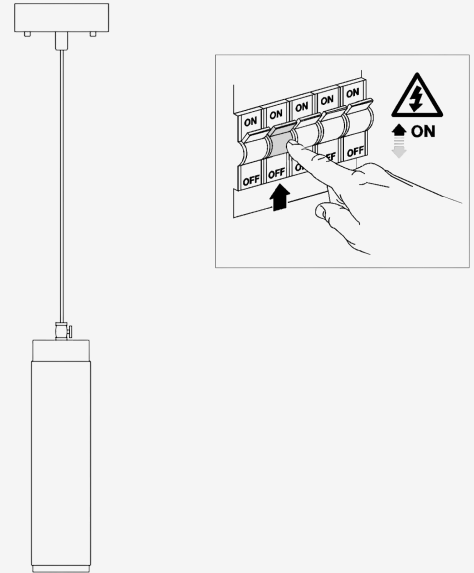
Adjust the length of the safety cable according to the reference images below.



Step 7

Once installation is complete, turn the power ON at the main fuse box.

The fixture should now operate properly.



LIMITED WARRANTY

A We Lighting warrants this ceiling-mounted lighting fixture to be free from defects in materials and workmanship under normal use for a period of 5 years from the date of purchase. This warranty applies only when the fixture is installed and operated in accordance with the instructions in this manual and all applicable building and electrical codes, including the National Electrical Code (NEC).

This warranty does not cover:

- Any damage resulting from incorrect installation, lack of proper maintenance, or mishandling.
- Operation with incompatible power sources, or unauthorized modifications to the product or its components.
- Physical damage caused by mechanical impact, corrosion, or installation in environments exceeding the fixture's ratings (e.g., temperature, humidity).
- Electrical failures due to power surges, voltage spikes, or shared circuits with inductive loads (e.g., HVAC, compressors).
- Installation in locations where the ceiling structure is not rated to support the weight of the fixture.
- Use in damp or wet locations unless the product is rated for such conditions.
- Exposure to grease, oil, dust, or chemicals that may deteriorate housing materials.

To file a warranty claim, contact our Customer Service department and provide proof of purchase, a detailed description of the issue, and photographs if available. A We Lighting reserves the right to inspect the product and determine eligibility under this warranty.

CERTIFICATION

