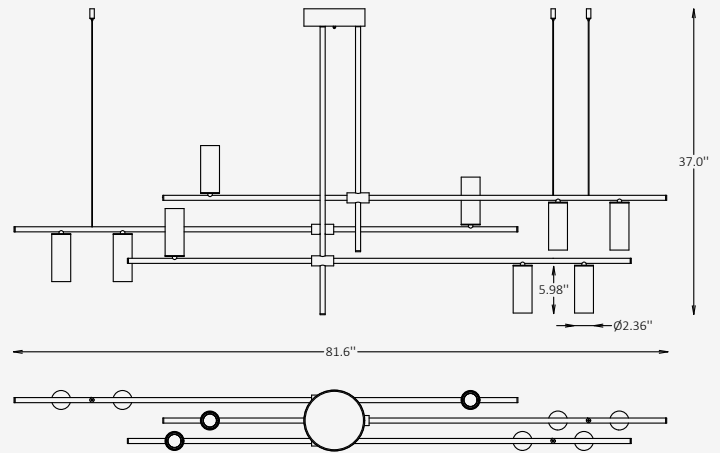




GENERAL INFORMATION

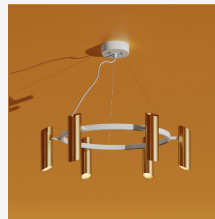
The CONSTRUCTIO is a linear pendant fixture defined by its architectural rhythm and refined material contrast. Featuring a balanced arrangement of cylindrical light elements along a structured brass frame, it delivers both upward and downward illumination to create layered, ambient light. Designed for dining areas, conference spaces, and hospitality interiors, CONSTRUCTIO combines visual precision with functional performance. Multiple finish combinations allow the fixture to adapt seamlessly to modern and transitional environments, while its modular composition reinforces a clean, contemporary aesthetic with a strong architectural presence.



SPECIFICATIONS

Material	Metal, Brass
Length	81.6"
Height	37"
Input Voltage	110-120V, 50-60 Hz
Light Source Type	GU 10 (bulbs not included)
Power	9 x max. 60W
Light Distribution	Beam Up & Down
IP Rating	IP 20
Warranty	1 year
Finishes	White, Black, Light Brass, Dark Brass, Light Brass+White, Light Brass+Black RAL finishes on request

OTHER VERSIONS AVAILABLE



CERTIFICATION



Designed and produced by Pikart Lights

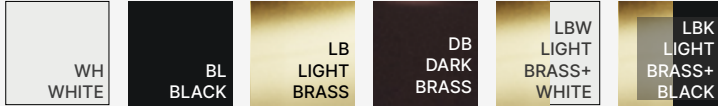
Ordering Information

Select one item from each category below. If your desired option is unavailable, please contact our team for support or custom solutions.

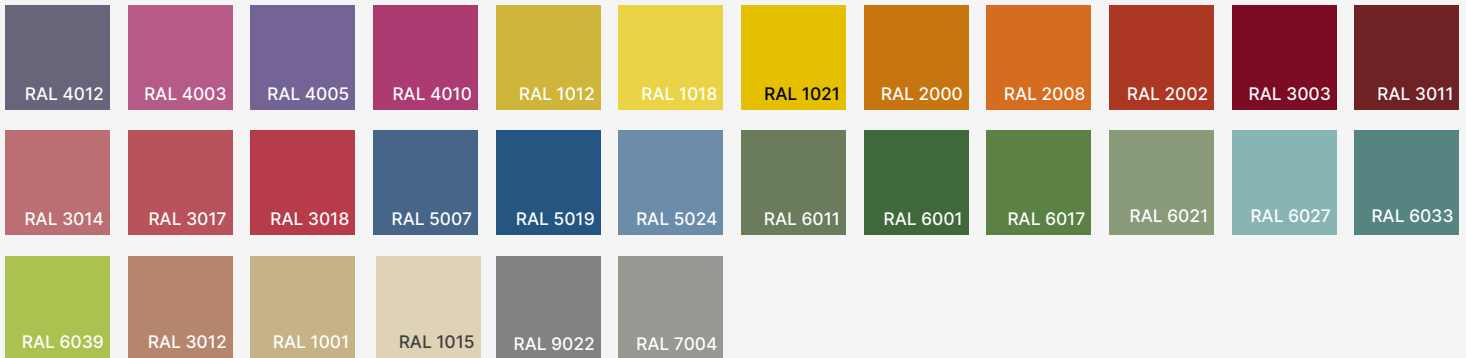
Code	Length / Height	Material	Wattage
<input checked="" type="checkbox"/> CNT-L3-V2 Pendant	<input checked="" type="checkbox"/> 81 81.6" / 37"	<input checked="" type="checkbox"/> BR Brass	<input checked="" type="checkbox"/> 60 9 x max. 60 W
Light Distribution	Body Finish Option	Canopy Finish Option	Finish Type*
<input checked="" type="checkbox"/> BUD Beam Up & Down	<input type="checkbox"/> WH White <input type="checkbox"/> BL Black <input type="checkbox"/> LB Light Brass <input type="checkbox"/> DB Dark Brass <input type="checkbox"/> LBW Light Brass+White <input type="checkbox"/> LBK Light Brass+Black <input type="checkbox"/> RAL RAL Finishes	<input type="checkbox"/> WH White <input type="checkbox"/> BL Black <input type="checkbox"/> LB Light Brass <input type="checkbox"/> DB Dark Brass <input type="checkbox"/> LBW Light Brass+White <input type="checkbox"/> LBK Light Brass+Black <input type="checkbox"/> RAL RAL Finishes	<input type="checkbox"/> GL Glossy <input type="checkbox"/> MT Matte <i>*Available only for RAL K7 Classic Colors</i>

Finishes

Standard finishes



RAL finishes



RAL K7 CLASSIC COLORS (80-95% GLOSS): RAL_ _ _ _

All RAL Classic colors are available with no setup fee.

On your specification submittal, choose your RAL color by entering the 4-digit RAL code (e.g., RAL 3003).

