

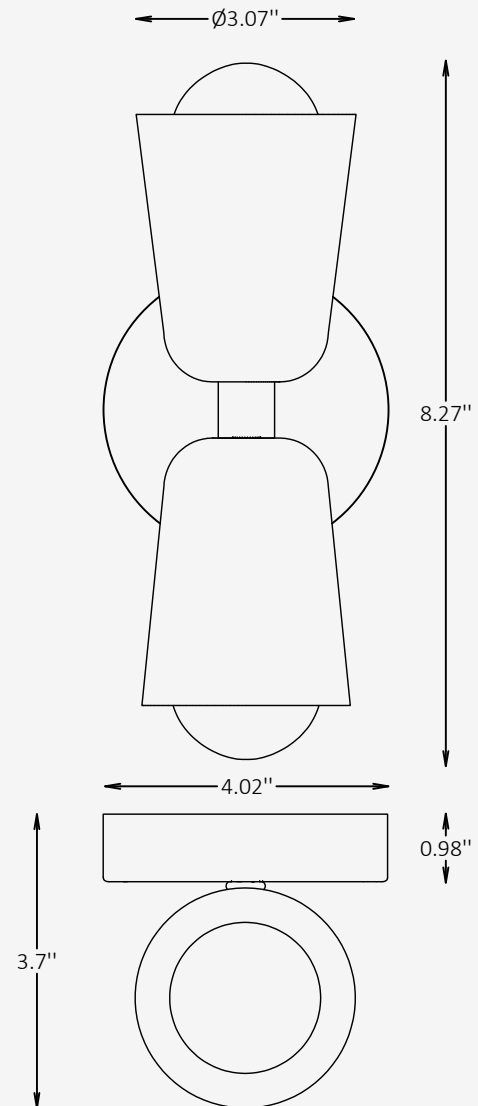


GENERAL INFORMATION

CAPSULA is a sculptural wall sconce defined by its balanced capsule-inspired geometry and bold architectural presence. Two opposing cylindrical forms create both upward and downward illumination, delivering soft ambient light while forming a distinctive visual element on the wall. Crafted from precision-finished aluminum, the fixture combines playful proportions with refined material quality. CAPSULA is designed to complement contemporary interiors in hospitality, residential, and commercial environments where lighting functions as both illumination and design expression.

SPECIFICATIONS

Material	Aluminum
Diameter	3.07"
Height	8.27"
Depth	3.7"
Input Voltage	110-277, 50-60 Hz
Light Source Type	E26 (bulb not included)
Power	2 x max. 40W
Light Distribution	Beam Up & Down
IP Rating	IP 20
Warranty	5 year
Finishes	34 RAL finishes 8 wood-effect finishes 12 metallic finishes Custom on request*



CERTIFICATION



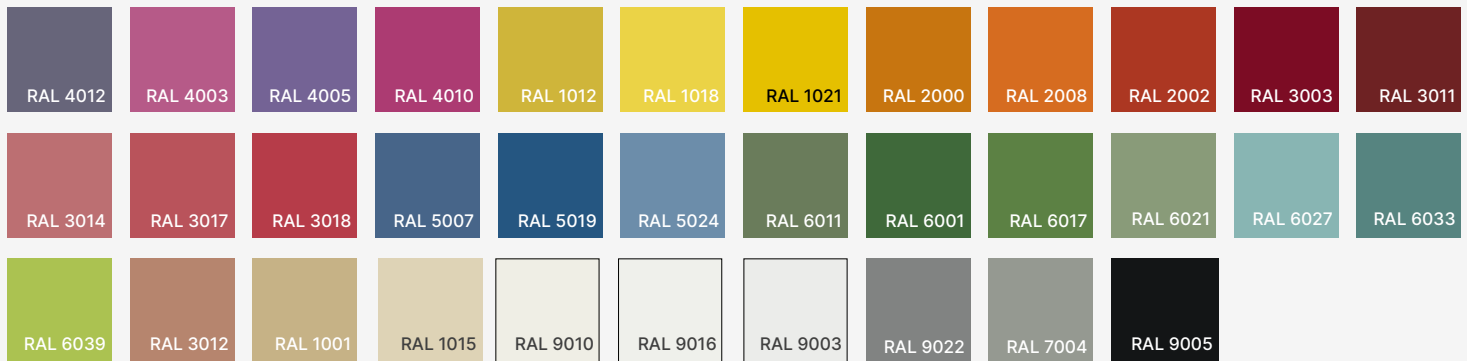
Ordering Information

Select one item from each category below. If your desired option is unavailable, please contact our team for support or custom solutions.

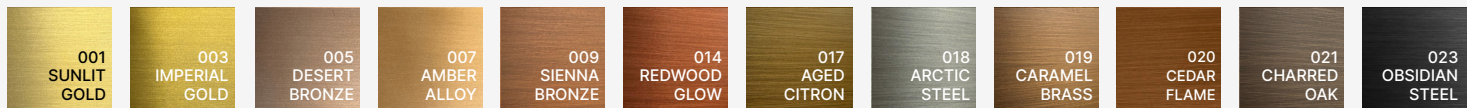
Code	Diameter / Height / Depth	Material	Wattage
<input checked="" type="checkbox"/> CPS Wall	<input type="checkbox"/> 8 3.07" / 8.27" / 3.7" <input type="checkbox"/> Cus Custom on request	<input type="checkbox"/> AL Aluminum <input type="checkbox"/> Cus Custom on request	<input type="checkbox"/> 40 2 x max. 40W <input type="checkbox"/> Cus Custom on request
Light Distribution	Upper Shade Finish Option	Lower Shade Finish Option	Canopy & Stem Finish Option
<input checked="" type="checkbox"/> BUD Beam Up & Down	<input type="checkbox"/> ST Standard <input type="checkbox"/> WE Wood effect <input type="checkbox"/> MC Metallic <input type="checkbox"/> Cus Custom on request	<input type="checkbox"/> ST Standard <input type="checkbox"/> WE Wood effect <input type="checkbox"/> MC Metallic <input type="checkbox"/> Cus Custom on request	<input type="checkbox"/> ST Standard <input type="checkbox"/> WE Wood effect <input type="checkbox"/> MC Metallic <input type="checkbox"/> Cus Custom on request
Finish Type			
<input type="checkbox"/> GL Glossy <input type="checkbox"/> MT Matte			

Finishes

Standard finishes



Metallic finishes



Wood-effect finishes



RAL K7 CLASSIC COLORS (80-95% GLOSS): RAL_ _ _ _

All RAL Classic colors are available with no setup fee.

On your specification submittal, choose your RAL color by entering the 4-digit RAL code (e.g., RAL 3003).

