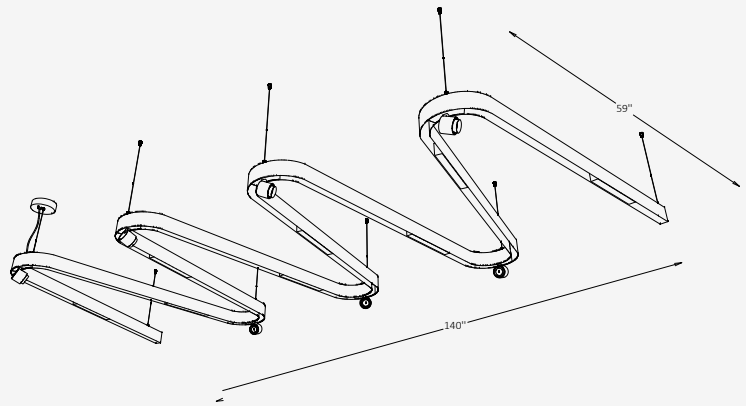




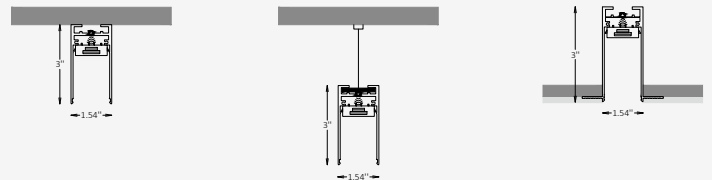
GENERAL INFORMATION

The Modari Arqform Magnetic Track System is designed to bring architectural rhythm and structure into lighting design. Its layered linear arrangement creates depth and direction, offering both functional performance and visual sophistication. With full compatibility across the Modari series, Arqform supports multiple magnetic lighting heads, allowing designers to compose dynamic illumination schemes. Ideal for modern commercial, hospitality, and creative interior spaces, it delivers flexibility, precision, and seamless integration within a refined geometric framework.

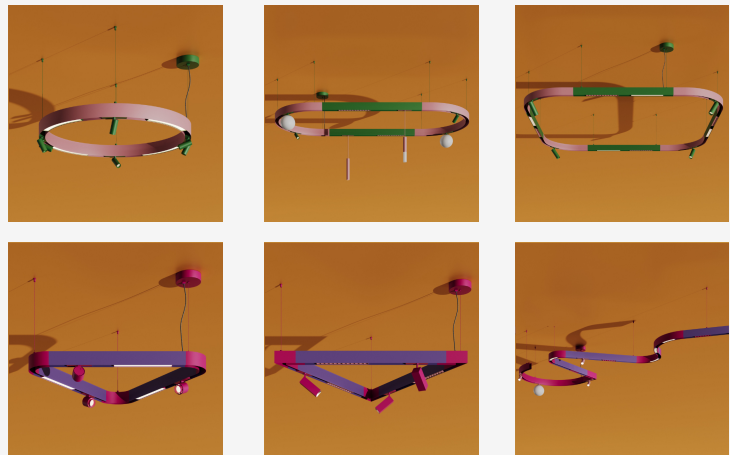


SPECIFICATIONS

Material	Aluminum
Width	59"
Length	140"
Input Voltage	110-277V, 50-60 Hz
Light Source Type	LED
Power	160W
LED Output	8917 lm
CCT	2700K / 3000K / 4000K
CRI	80 / 90
Dimming & Driver	Integral, 0-10V / DALI
IP Rating	IP 20
Warranty	5 years
Finishes	30 RAL finishes 2 metallic finishes Custom on request*



OTHER VERSIONS AVAILABLE



CERTIFICATION



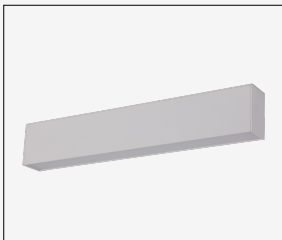
Ordering Information

Select one item from each category below. If your desired option is unavailable, please contact our team for support or custom solutions.

Code	Width / Length	Wattage / Lumens	CCT
<input checked="" type="checkbox"/> ARQ-MT Magnetic Track System	<input type="checkbox"/> 140 59" / 140" <input type="checkbox"/> Cus Custom on request	<input type="checkbox"/> 89 160 W / 8917 lm <input type="checkbox"/> Cus Custom on request	<input type="checkbox"/> 27 2700K <input type="checkbox"/> 30 3000K <input type="checkbox"/> 40 4000K <input type="checkbox"/> Cus Custom on request
Dimming	CRI	Profile Finish Options	Heads Finish Options
<input type="checkbox"/> NN Non-Dimmable <input type="checkbox"/> DM 0-10V <input type="checkbox"/> DL DALI	<input type="checkbox"/> CR8 80 <input type="checkbox"/> CR9 90	<input type="checkbox"/> ST Standard <input type="checkbox"/> MC Metallic <input type="checkbox"/> AWE A We Lighting Palette* <input type="checkbox"/> Cus Custom on request	<input type="checkbox"/> ST Standard <input type="checkbox"/> MC Metallic <input type="checkbox"/> AWE A We Lighting Palette* <input type="checkbox"/> Cus Custom on request
Canopy Finish Options	Cord Finish Options	Mounting	Cord Length
<input type="checkbox"/> ST Standard <input type="checkbox"/> MC Metallic <input type="checkbox"/> AWE A We Lighting Palette* <input type="checkbox"/> Cus Custom on request	<input type="checkbox"/> WH White <input type="checkbox"/> BL Black <input type="checkbox"/> Cus Custom on request <i>Available only for the Pendant version*</i>	<input type="checkbox"/> PN Pendant <input type="checkbox"/> MM Surface-mounted <input type="checkbox"/> RD Recessed	<input type="checkbox"/> L11 118" (adjustable) <input type="checkbox"/> Cus Custom on request <i>Available only for the Pendant version*</i>
SPOT65-R Head Beam Angle Options			
<input type="checkbox"/> SR10 10° <input type="checkbox"/> SR20 20° <input type="checkbox"/> SR30 30°		<p>Note: The color combination shown in the photo on the first page of this spec sheet is part of the exclusive A We Lighting Design Palette. This custom palette reflects our brand's identity and is available as a special finish option — A We Lighting Palette*.</p>	

Compatible Heads for This Track System

LINEAR32



SPOT65-R

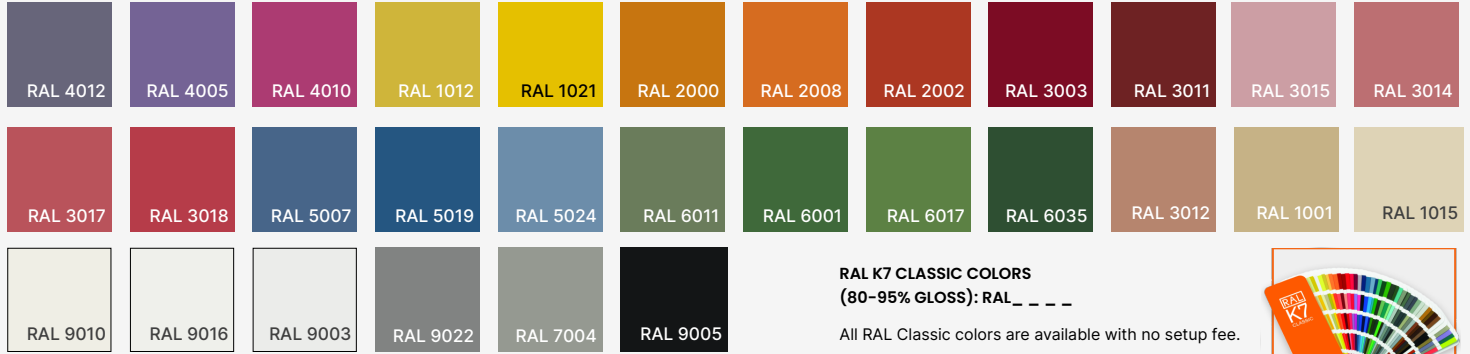


Project

Notes

Finishes

Standard finishes



RAL K7 CLASSIC COLORS
(80-95% GLOSS): RAL_ _ _ _

All RAL Classic colors are available with no setup fee.

On your specification submittal, choose your RAL color by entering the 4-digit RAL code (e.g., RAL 3003).



Metallic finishes

