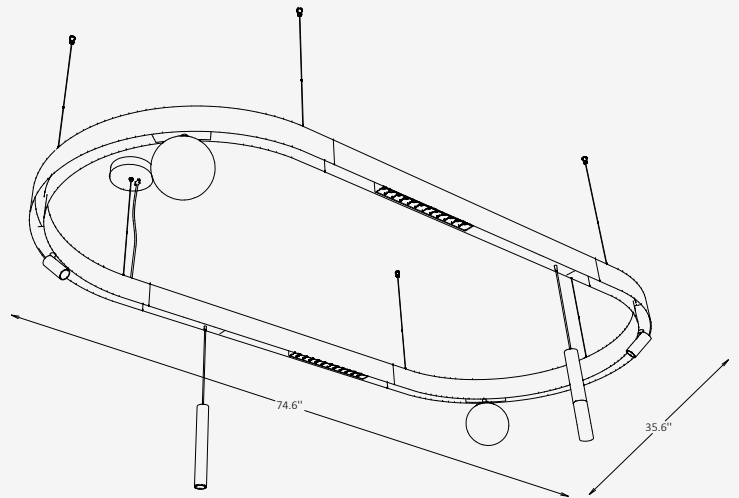




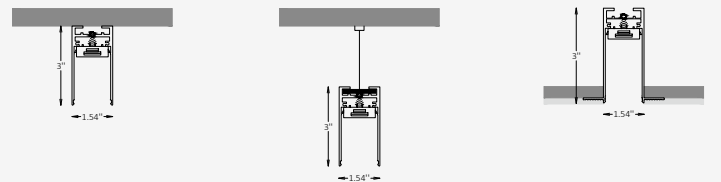
## GENERAL INFORMATION

The MODARI VIRELLE is a magnetic track system designed with a distinctive curved linear form, merging geometric precision with creative flexibility. Constructed from high-quality aluminum, it supports multiple magnetic lighting modules that can be easily repositioned or interchanged. Ideal for modern interiors, the VIRELLE system enables both functional illumination and expressive design through customizable configurations and finish options.

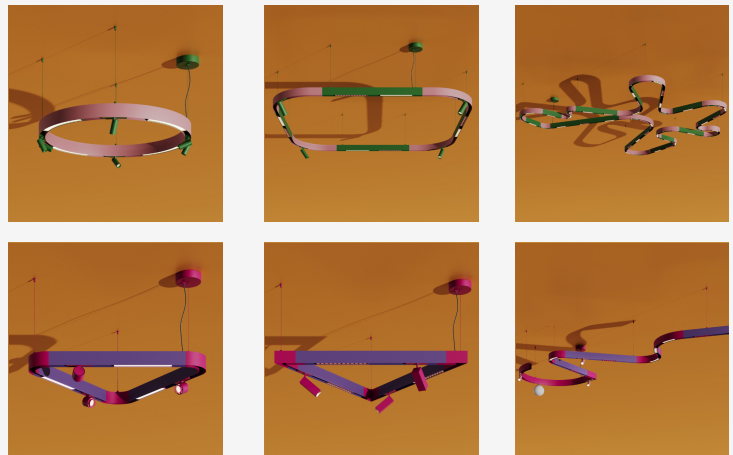


## SPECIFICATIONS

|                   |  |
|-------------------|--|
| Material          | Aluminum   |
| Width             | 35.6"  |
| Length            | 74.6"  |
| Input Voltage     | 110-277V, 50-60 Hz   |
| Light Source Type | LED  |
| Power             | 62W  |
| LED Output        | 5610 lm  |
| CCT               | 2700K / 3000K / 4000K  |
| CRI               | 80 / 90  |
| Dimming & Driver  | Integral, 0-10V / DALI                                       |
| IP Rating         | IP 20  |
| Warranty          | 5 years  |
| Finishes          | 30 RAL finishes<br>2 metallic finishes<br>Custom on request* |



## OTHER VERSIONS AVAILABLE



## CERTIFICATION



## Ordering Information

Select one item from each category below. If your desired option is unavailable, please contact our team for support or custom solutions.

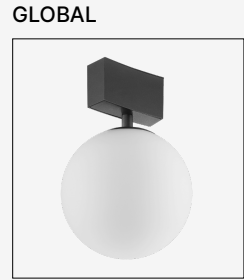
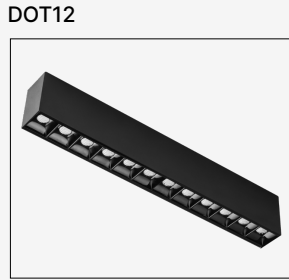
| Code  | Width / Length   | Wattage / Lumens  | CCT   |
|---|--|---|---|
| <input checked="" type="checkbox"/> <b>VRL-MT</b><br>Magnetic Track System  | <input type="checkbox"/> <b>74</b><br>35.6" / 74.6"<br><input type="checkbox"/> <b>Cus</b><br>Custom on request  | <input type="checkbox"/> <b>56</b><br>62 W / 5610 lm<br><input type="checkbox"/> <b>Cus</b><br>Custom on request  | <input type="checkbox"/> <b>27</b><br>2700K<br><input type="checkbox"/> <b>30</b><br>3000K<br><input type="checkbox"/> <b>40</b><br>4000K<br><input type="checkbox"/> <b>Cus</b><br>Custom on request                         |
| Dimming   | CRI  | Profile Finish Options  | Heads Finish Options  |
| <input type="checkbox"/> <b>NN</b><br>Non-Dimmable<br><input type="checkbox"/> <b>DM</b><br>0-10V<br><input type="checkbox"/> <b>DL</b><br>DALI   | <input type="checkbox"/> <b>CR8</b><br>80<br><input type="checkbox"/> <b>CR9</b><br>90   | <input type="checkbox"/> <b>ST</b><br>Standard<br><input type="checkbox"/> <b>MC</b><br>Metallic<br><input type="checkbox"/> <b>AWE</b><br>A We Lighting Palette*<br><input type="checkbox"/> <b>Cus</b><br>Custom on request | <input type="checkbox"/> <b>ST</b><br>Standard<br><input type="checkbox"/> <b>MC</b><br>Metallic<br><input type="checkbox"/> <b>AWE</b><br>A We Lighting Palette*<br><input type="checkbox"/> <b>Cus</b><br>Custom on request |
| Canopy Finish Options   | Cord Finish Options  | Mounting  | Cord Length   |
| <input type="checkbox"/> <b>ST</b><br>Standard<br><input type="checkbox"/> <b>MC</b><br>Metallic<br><input type="checkbox"/> <b>AWE</b><br>A We Lighting Palette*<br><input type="checkbox"/> <b>Cus</b><br>Custom on request | <input type="checkbox"/> <b>WH</b><br>White<br><input type="checkbox"/> <b>BL</b><br>Black<br><input type="checkbox"/> <b>Cus</b><br>Custom on request<br><i>Available only for the Pendant version*</i> | <input type="checkbox"/> <b>PN</b><br>Pendant<br><input type="checkbox"/> <b>MM</b><br>Surface-mounted<br><input type="checkbox"/> <b>RD</b><br>Recessed  | <input type="checkbox"/> <b>L11</b><br>118" (adjustable)<br><input type="checkbox"/> <b>Cus</b><br>Custom on request<br><i>Available only for the Pendant version*</i>  |
| DOT12 Head Beam Angle Options   | SPOT35 Head Beam Angle Options   | P-35R Head Beam Angle Options   | P-35-RA-10 Head Beam Angle Options  |
| <input type="checkbox"/> <b>DT12</b><br>12°<br><input type="checkbox"/> <b>DT34</b><br>34°<br><input type="checkbox"/> <b>DT48</b><br>48°   | <input type="checkbox"/> <b>SR20</b><br>20°<br><input type="checkbox"/> <b>SR30</b><br>30°<br><input type="checkbox"/> <b>SR40</b><br>40°  | <input type="checkbox"/> <b>P35R20</b><br>20°<br><input type="checkbox"/> <b>P35R30</b><br>30°<br><input type="checkbox"/> <b>P35R40</b><br>40°   | <input type="checkbox"/> <b>P35RA10</b><br>20°  |

Note: The color combination shown in the photo on the first page of this spec sheet is part of the exclusive A We Lighting Design Palette. This custom palette reflects our brand's identity and is available as a special finish option — A We Lighting Palette\*.

Project

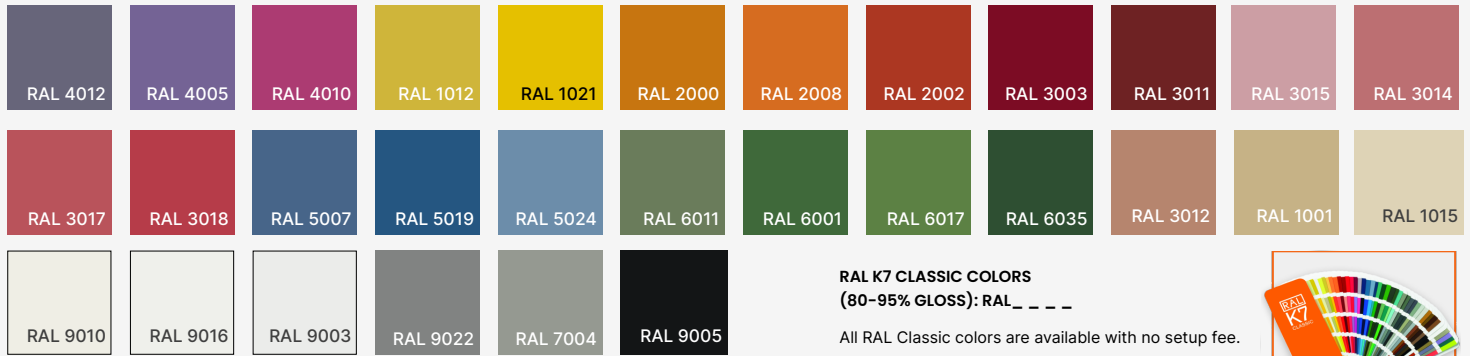
Notes

# Compatible Heads for This Track System



# Finishes

## Standard finishes



**RAL K7 CLASSIC COLORS**  
 (80-95% GLOSS): RAL\_ \_ \_ \_

All RAL Classic colors are available with no setup fee.

On your specification submittal, choose your RAL color by entering the 4-digit RAL code (e.g., RAL 3003).



## Metallic finishes

