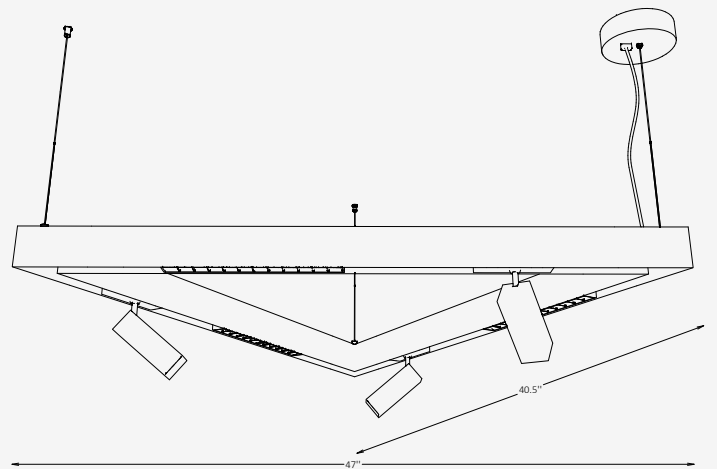




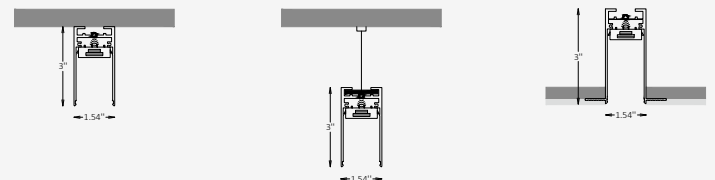
## GENERAL INFORMATION

The MODARI FLUXAR Magnetic Track System combines geometric precision with magnetic versatility, offering a seamless lighting solution for architectural and commercial environments. Designed for both functionality and design flexibility, the system allows multiple head configurations to adapt illumination to specific needs. Constructed from aluminum and featuring high-performance LEDs with smooth dimming, FLUXAR delivers efficient, balanced lighting within a clean contemporary profile.

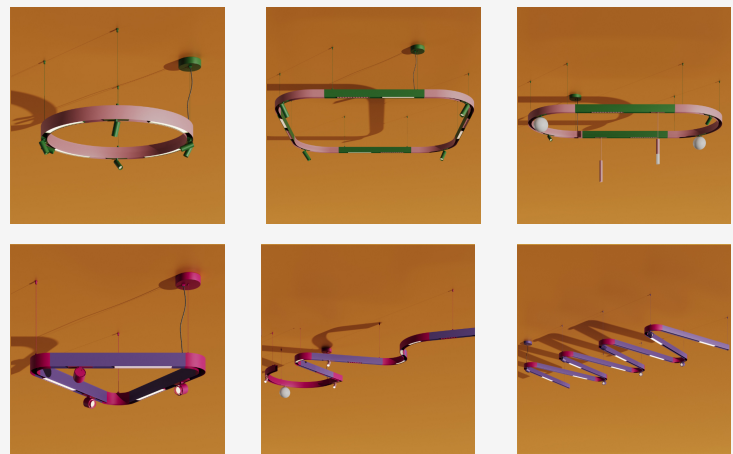


## SPECIFICATIONS

Material	Aluminum
Width	40.5"
Length	47"
Input Voltage	110-277V, 50-60 Hz
Light Source Type	LED
Power	72W
LED Output	5415 lm
CCT	2700K / 3000K / 4000K
CRI	80 / 90
Dimming & Driver	Integral, 0-10V / DALI
IP Rating	IP 20
Warranty	5 years
Finishes	30 RAL finishes 2 metallic finishes Custom on request*



## OTHER VERSIONS AVAILABLE



## CERTIFICATION



## Ordering Information

Select one item from each category below. If your desired option is unavailable, please contact our team for support or custom solutions.

Code	Width / Length	Wattage / Lumens	CCT
<input checked="" type="checkbox"/> <b>FLX-MT</b> Magnetic Track System	<input type="checkbox"/> <b>47</b> 40.5" / 47" <input type="checkbox"/> <b>Cus</b> Custom on request	<input type="checkbox"/> <b>54</b> 72 W / 5415 lm <input type="checkbox"/> <b>Cus</b> Custom on request	<input type="checkbox"/> <b>27</b> 2700K <input type="checkbox"/> <b>30</b> 3000K <input type="checkbox"/> <b>40</b> 4000K <input type="checkbox"/> <b>Cus</b> Custom on request
Dimming	CRI	Profile Finish Options	Heads Finish Options
<input type="checkbox"/> <b>NN</b> Non-Dimmable <input type="checkbox"/> <b>DM</b> 0-10V <input type="checkbox"/> <b>DL</b> DALI	<input type="checkbox"/> <b>CR8</b> 80 <input type="checkbox"/> <b>CR9</b> 90	<input type="checkbox"/> <b>ST</b> Standard <input type="checkbox"/> <b>MC</b> Metallic <input type="checkbox"/> <b>AWE</b> A We Lighting Palette* <input type="checkbox"/> <b>Cus</b> Custom on request	<input type="checkbox"/> <b>ST</b> Standard <input type="checkbox"/> <b>MC</b> Metallic <input type="checkbox"/> <b>AWE</b> A We Lighting Palette* <input type="checkbox"/> <b>Cus</b> Custom on request
Canopy Finish Options	Cord Finish Options	Mounting	Cord Length
<input type="checkbox"/> <b>ST</b> Standard <input type="checkbox"/> <b>MC</b> Metallic <input type="checkbox"/> <b>AWE</b> A We Lighting Palette* <input type="checkbox"/> <b>Cus</b> Custom on request	<input type="checkbox"/> <b>WH</b> White <input type="checkbox"/> <b>BL</b> Black <input type="checkbox"/> <b>Cus</b> Custom on request <i>Available only for the Pendant version*</i>	<input type="checkbox"/> <b>PN</b> Pendant <input type="checkbox"/> <b>MM</b> Surface-mounted <input type="checkbox"/> <b>RD</b> Recessed	<input type="checkbox"/> <b>L11</b> 118" (adjustable) <input type="checkbox"/> <b>Cus</b> Custom on request <i>Available only for the Pendant version*</i>
DOT12 Head Beam Angle Options	SPOT35-SQ Head Beam Angle Options	<p>Note: The color combination shown in the photo on the first page of this spec sheet is part of the exclusive A We Lighting Design Palette. This custom palette reflects our brand's identity and is available as a special finish option — A We Lighting Palette*.</p>	
<input type="checkbox"/> <b>DT12</b> 12° <input type="checkbox"/> <b>DT34</b> 34° <input type="checkbox"/> <b>DT48</b> 48°	<input type="checkbox"/> <b>SQ10</b> 10°		

## Compatible Heads for This Track System

DOT12



SPOT35-SQ

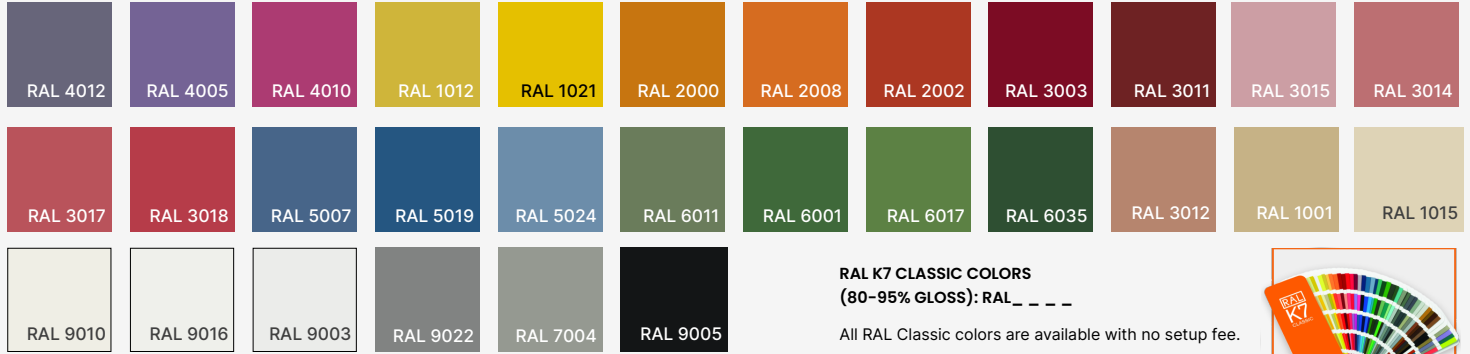


Project

Notes

# Finishes

## Standard finishes



**RAL K7 CLASSIC COLORS**  
(80-95% GLOSS): RAL\_ \_ \_ \_

All RAL Classic colors are available with no setup fee.

On your specification submittal, choose your RAL color by entering the 4-digit RAL code (e.g., RAL 3003).



## Metallic finishes

