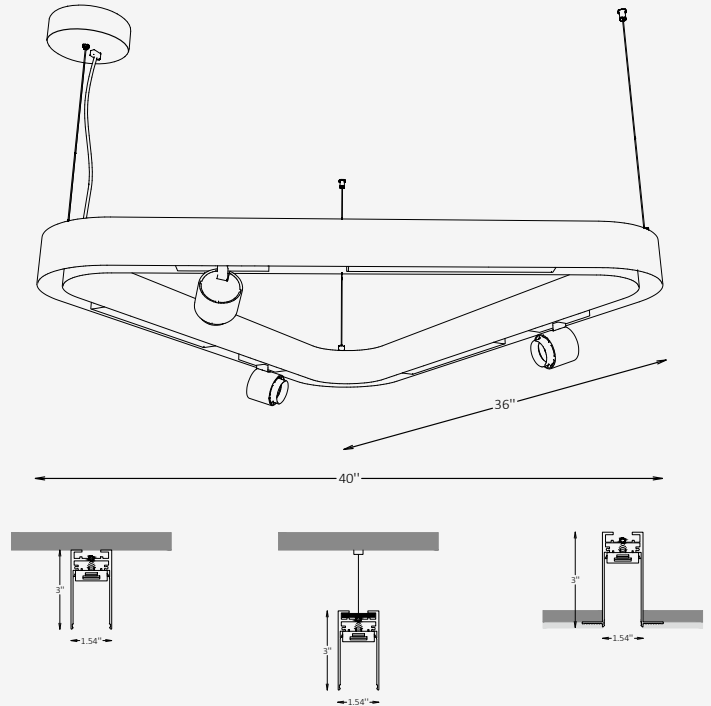




GENERAL INFORMATION

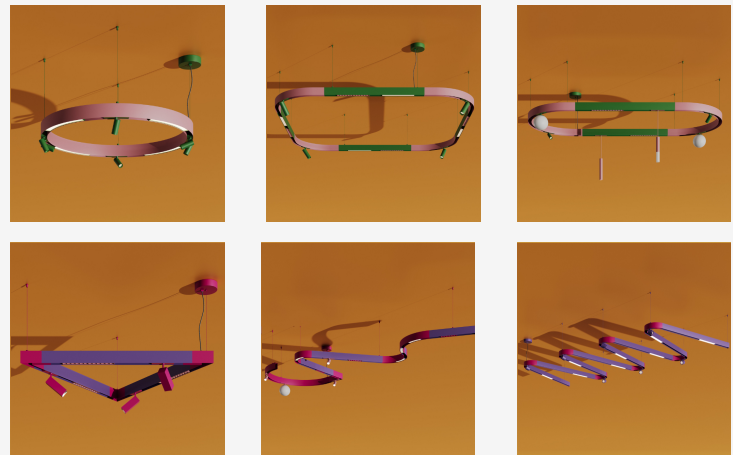
The MODARI CRESCEND is a magnetic track lighting system designed to provide flexible, high-performance illumination within a refined architectural form. Its curved linear design allows seamless integration into modern interiors, combining functional versatility with sculptural aesthetics. The system supports multiple compatible lighting heads, offering customizable configurations for accent, ambient, or task lighting. Engineered with precision in aluminum, MODARI CRESCEND delivers efficient LED performance, smooth 0-10V dimming, and a range of color temperature options to suit diverse applications.



SPECIFICATIONS

Material	Aluminum
Width	36"
Length	40"
Input Voltage	110-277V, 50-60 Hz
Light Source Type	LED
Power	63W
LED Output	3438 lm
CCT	2700K / 3000K / 4000K
CRI	80 / 90
Dimming & Driver	Integral, 0-10V / DALI
IP Rating	IP 20
Warranty	5 years
Finishes	30 RAL finishes 2 metallic finishes Custom on request*

OTHER VERSIONS AVAILABLE



CERTIFICATION



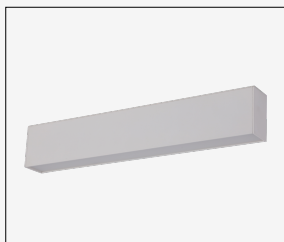
Ordering Information

Select one item from each category below. If your desired option is unavailable, please contact our team for support or custom solutions.

Code	Width / Length	Wattage / Lumens	CCT
<input checked="" type="checkbox"/> CRD-MT Magnetic Track System	<input type="checkbox"/> 40 36" / 40" <input type="checkbox"/> Cus Custom on request	<input type="checkbox"/> 34 63 W / 3438 lm <input type="checkbox"/> Cus Custom on request	<input type="checkbox"/> 27 2700K <input type="checkbox"/> 30 3000K <input type="checkbox"/> 40 4000K <input type="checkbox"/> Cus Custom on request
Dimming	CRI	Profile Finish Options	Heads Finish Options
<input type="checkbox"/> NN Non-Dimmable <input type="checkbox"/> DM 0-10V <input type="checkbox"/> DL DALI	<input type="checkbox"/> CR8 80 <input type="checkbox"/> CR9 90	<input type="checkbox"/> ST Standard <input type="checkbox"/> MC Metallic <input type="checkbox"/> AWE A We Lighting Palette* <input type="checkbox"/> Cus Custom on request	<input type="checkbox"/> ST Standard <input type="checkbox"/> MC Metallic <input type="checkbox"/> AWE A We Lighting Palette* <input type="checkbox"/> Cus Custom on request
Canopy Finish Options	Cord Finish Options	Mounting	Cord Length
<input type="checkbox"/> ST Standard <input type="checkbox"/> MC Metallic <input type="checkbox"/> AWE A We Lighting Palette* <input type="checkbox"/> Cus Custom on request	<input type="checkbox"/> WH White <input type="checkbox"/> BL Black <input type="checkbox"/> Cus Custom on request <i>Available only for the Pendant version*</i>	<input type="checkbox"/> PN Pendant <input type="checkbox"/> MM Surface-mounted <input type="checkbox"/> RD Recessed	<input type="checkbox"/> L11 118" (adjustable) <input type="checkbox"/> Cus Custom on request <i>Available only for the Pendant version*</i>
SPOT65-R Head Beam Angle Options	<p>Note: The color combination shown in the photo on the first page of this spec sheet is part of the exclusive A We Lighting Design Palette. This custom palette reflects our brand's identity and is available as a special finish option — A We Lighting Palette*.</p>		
<input type="checkbox"/> SR10 10° <input type="checkbox"/> SR20 20° <input type="checkbox"/> SR30 30°			

Compatible Heads for This Track System

LINEAR32



SPOT65-R

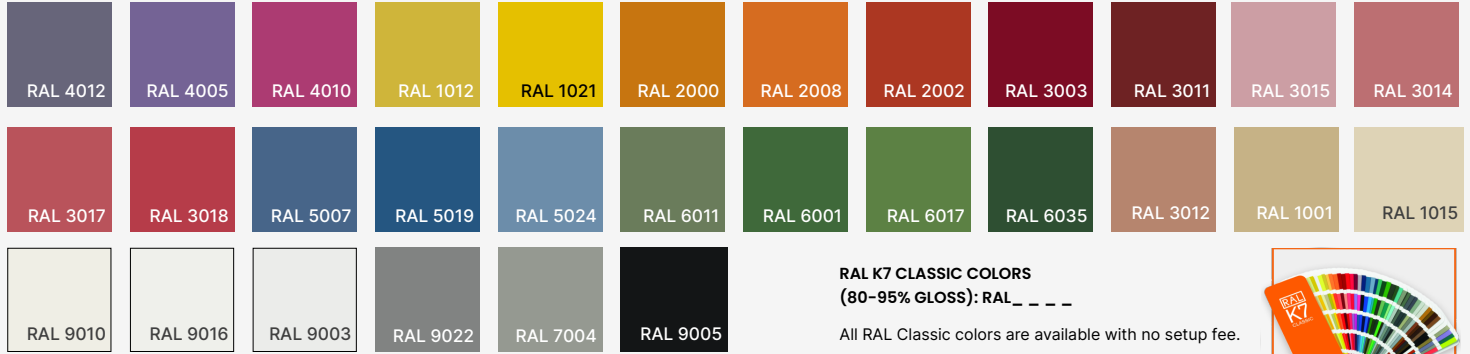


Project

Notes

Finishes

Standard finishes



RAL K7 CLASSIC COLORS
(80-95% GLOSS): RAL_ _ _ _

All RAL Classic colors are available with no setup fee.

On your specification submittal, choose your RAL color by entering the 4-digit RAL code (e.g., RAL 3003).



Metallic finishes

