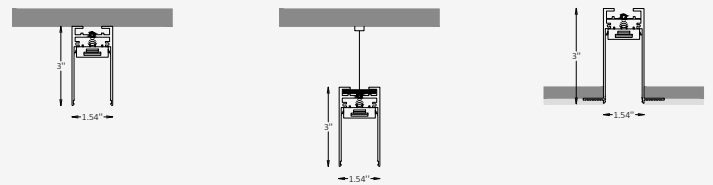
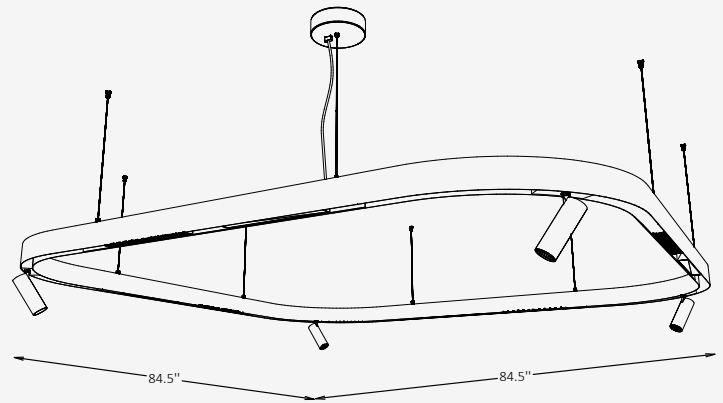




GENERAL INFORMATION

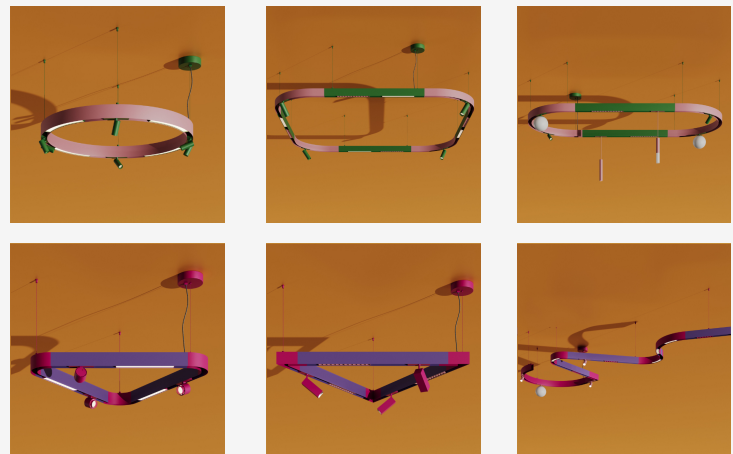
The MODARI HALOIRE Magnetic Track System is a versatile architectural lighting solution designed for modern interiors. Its geometric halo form combines clean aesthetics with advanced functionality, allowing seamless integration of magnetic track heads, pendants, and linear modules. Engineered in aluminum, the system supports a wide range of beam angles and dimming options, making it adaptable for both ambient and accent lighting. Available in multiple finishes, MODARI HALOIRE is ideal for retail, hospitality, and workspace environments where flexibility and design impact are equally important.



SPECIFICATIONS

| | |
|-------------------|--|
| Material | Aluminum |
| Width | 84.5" |
| Length | 84.5" |
| Input Voltage | 110-277V, 50-60 Hz |
| Light Source Type | LED |
| Power | 156W |
| LED Output | 12,068 lm |
| CCT | 2700K / 3000K / 4000K |
| CRI | 80 / 90 |
| Dimming & Driver | Integral, 0-10V |
| Beam Angle | 12° / 18° / 24° / 34° / 36° / 48° |
| IP Rating | IP 20 |
| Warranty | 5 years |
| Finishes | 30 RAL finishes 2 metallic finishes Custom on request* |

OTHER VERSIONS AVAILABLE



CERTIFICATION



Ordering Information

Select one item from each category below. If your desired option is unavailable, please contact our team for support or custom solutions.

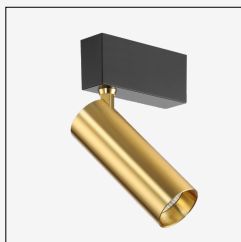
| Code | Width / Length | Wattage / Lumens | CCT |
|---|--|---|---|
| <input checked="" type="checkbox"/> HLR-MT Magnetic Track System | <input type="checkbox"/> 84 84.5" / 84.5" <input type="checkbox"/> Cus Custom on request | <input type="checkbox"/> 120 156W / 12,068 lm <input type="checkbox"/> Cus Custom on request | <input type="checkbox"/> 27 2700K <input type="checkbox"/> 30 3000K <input type="checkbox"/> 40 4000K <input type="checkbox"/> Cus Custom on request |
| Dimming | CRI | Profile Finish Options | Heads Finish Options |
| <input type="checkbox"/> NN Non-Dimmable <input type="checkbox"/> DM 0-10V <input type="checkbox"/> DL DALI | <input type="checkbox"/> CR8 80 <input type="checkbox"/> CR9 90 | <input type="checkbox"/> ST Standard <input type="checkbox"/> MC Metallic <input type="checkbox"/> AWE A We Lighting Palette* <input type="checkbox"/> Cus Custom on request | <input type="checkbox"/> ST Standard <input type="checkbox"/> MC Metallic <input type="checkbox"/> AWE A We Lighting Palette* <input type="checkbox"/> Cus Custom on request |
| Canopy Finish Options | Cord Finish Options | Mounting | Cord Length |
| <input type="checkbox"/> ST Standard <input type="checkbox"/> MC Metallic <input type="checkbox"/> AWE A We Lighting Palette* <input type="checkbox"/> Cus Custom on request | <input type="checkbox"/> WH White <input type="checkbox"/> BL Black <input type="checkbox"/> Cus Custom on request | <input type="checkbox"/> PN Pendant <input type="checkbox"/> MM Surface-mounted <input type="checkbox"/> RD Recessed | <input type="checkbox"/> L11 118" (adjustable) <input type="checkbox"/> Cus Custom on request |
| DOT12 Head Beam Angle Options | SPOT50 Head Beam Angle Options | <p>Note: The color combination shown in the photo on the first page of this spec sheet is part of the exclusive A We Lighting Design Palette. This custom palette reflects our brand's identity and is available as a special finish option — A We Lighting Palette*.</p> | |
| <input type="checkbox"/> DT12 12° <input type="checkbox"/> DT34 34° <input type="checkbox"/> DT48 48° | <input type="checkbox"/> SP18 18° <input type="checkbox"/> SP24 24° <input type="checkbox"/> SP36 36° | | |

Heads Designed for This Track System

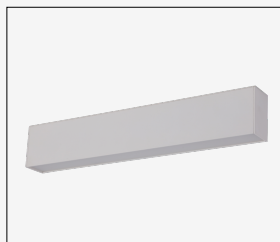
DOT12



SPOT50



LINEAR32




Project

Notes

Finishes

Standard finishes

| | | | | | | | | | | | |
|----------|----------|----------|----------|----------|----------|--|----------|----------|----------|----------|----------|
| RAL 4012 | RAL 4005 | RAL 4010 | RAL 1012 | RAL 1021 | RAL 2000 | RAL 2008 | RAL 2002 | RAL 3003 | RAL 3011 | RAL 3015 | RAL 3014 |
| RAL 3017 | RAL 3018 | RAL 5007 | RAL 5019 | RAL 5024 | RAL 6011 | RAL 6001 | RAL 6017 | RAL 6035 | RAL 3012 | RAL 1001 | RAL 1015 |
| RAL 9010 | RAL 9016 | RAL 9003 | RAL 9022 | RAL 7004 | RAL 9005 | <p>RAL K7 CLASSIC COLORS (80-95% GLOSS): RAL_ _ _ _</p> <p>All RAL Classic colors are available with no setup fee.</p> <p>On your specification submittal, choose your RAL color by entering the 4-digit RAL code (e.g., RAL 3003).</p>  | | | | | |

Metallic finishes

| | |
|-----------------------|------------|
| SB SHINY BRONZE | GL GOLD |
|-----------------------|------------|