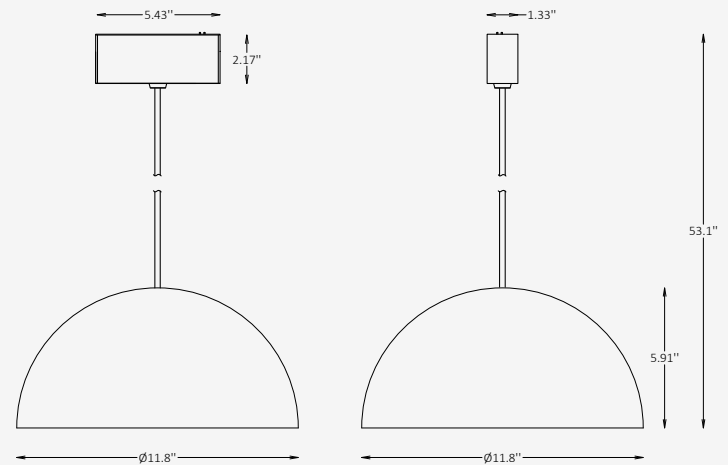




GENERAL INFORMATION

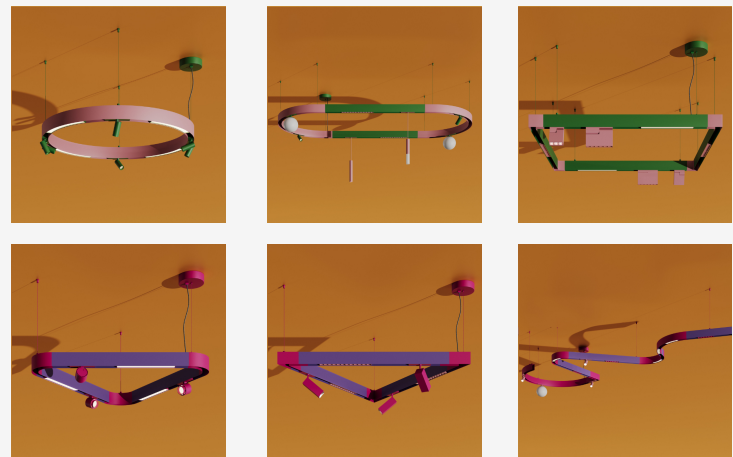
The A-DOME is a dome-shaped lighting module designed for the MODARI A-Track Core magnetic system, delivering soft, diffused illumination through its wide aluminum shade. Its rounded silhouette brings a balanced, architectural presence to linear track compositions, enhancing both ambient and task lighting scenarios. With flexible dimming, multiple CCT options, and an extensive finish palette, A-DOME adapts seamlessly to residential, commercial, and hospitality environments.



MODULE SPECIFICATIONS

Material	Aluminum
Diameter	11.8"
Height	5.91"
Input Voltage	DC 24V
Light Source Type	LED
Power	5W
CCT	2700K / 3000K / 4000K
CRI	80 / 90
Light Distribution	Diffused
Dimming	Non-Dim / 0-10V / 1-10V / DALI / TRIAC
IP Rating	IP 20
Warranty	5 years
Finishes	30 RAL finishes 8 wood-effect finishes 2 metallic finishes Custom on request*

OTHER VERSIONS AVAILABLE



CERTIFICATION



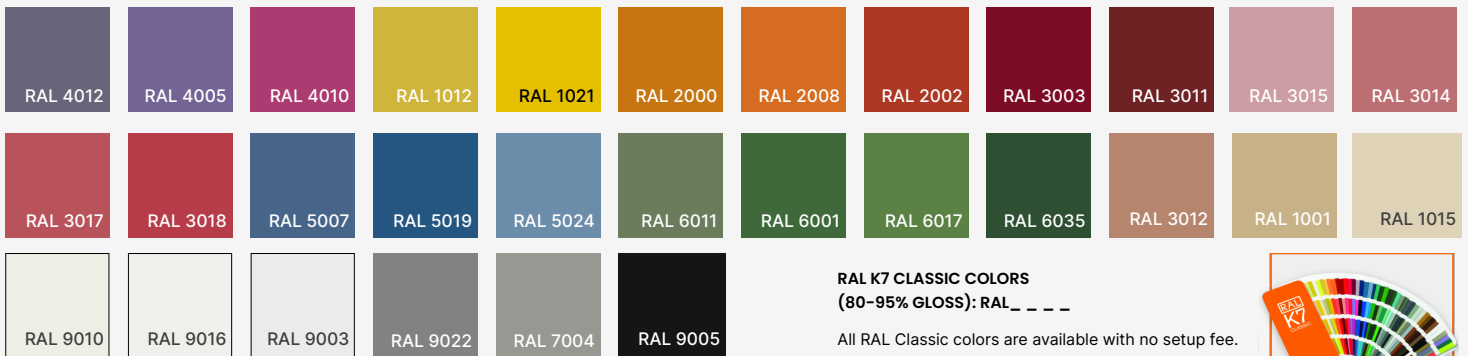
A-Dome Module Ordering Information

Select one item from each category below. If your desired option is unavailable, please contact our team for support or custom solutions.

Code	Voltage	Diameter / Height / Wattage / Lumens	CCT
<input checked="" type="checkbox"/> DME A-Dome Module	<input type="checkbox"/> D24 DC 24V <input type="checkbox"/> Cus Custom on request	<input checked="" type="checkbox"/> 12 11.8" / 5.91" / 5 W / 498 lm	<input type="checkbox"/> 27 2700K <input type="checkbox"/> 30 3000K <input type="checkbox"/> 40 4000K <input type="checkbox"/> Cus Custom on request
Light Distribution	CRI	Dimming	Finish Option
<input checked="" type="checkbox"/> DF Diffused	<input type="checkbox"/> CR8 80 <input type="checkbox"/> CR9 90	<input type="checkbox"/> NN Non-Dimmable <input type="checkbox"/> DM0 0-10V <input type="checkbox"/> DM1 1-10V <input type="checkbox"/> DL DALI <input type="checkbox"/> TR TRIAC	<input type="checkbox"/> ST Standard <input type="checkbox"/> WE Wood effect <input type="checkbox"/> MC Metallic <input type="checkbox"/> Cus Custom on request

A-Dome Module Finishes

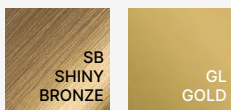
Standard finishes



Wood-effect finishes



Metallic finishes

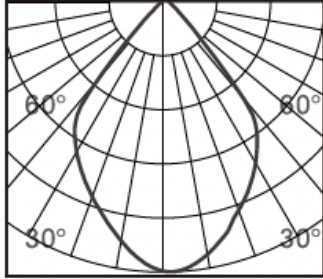


Project

Notes

Photometric Data

Diffuse



h(m)	E(lx)	Φ(m)
1	298	Φ1.63
2	75	Φ3.27
3	33	Φ4.90
4	19	Φ6.54
5	12	Φ8.18