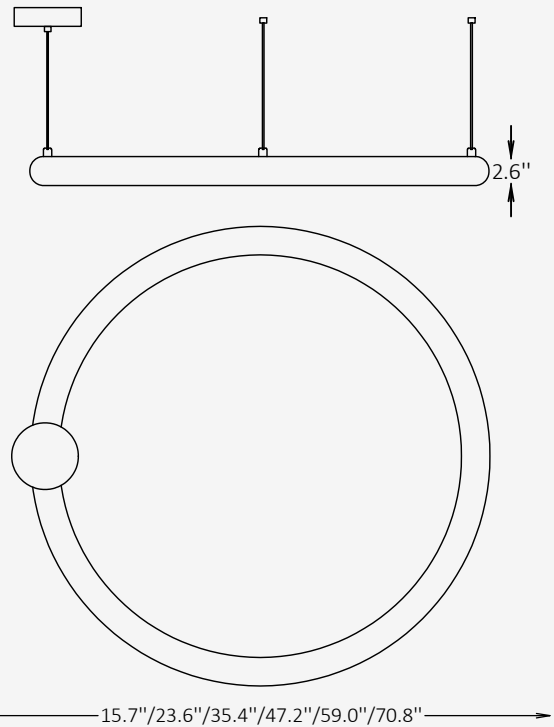




GENERAL INFORMATION

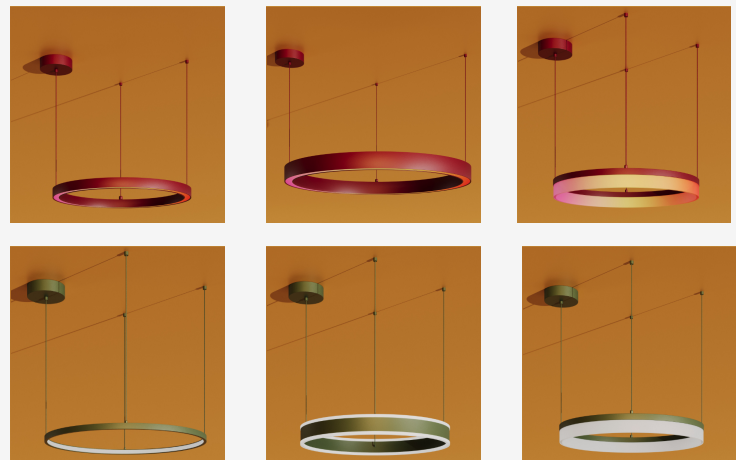
The Orbita Noctis Circle is a striking pendant fixture designed to deliver vibrant 360° RGB illumination in a sleek, seamless ring. Its uniform light output and clean polycarbonate profile make it ideal for modern commercial, hospitality, and event spaces where full-circle visual impact and ambient glow are essential.



SPECIFICATIONS

Material	Polycarbonate
Diameter	15.7" / 23.6" / 35.4" / 47.2" / 59.0" / 70.8"
Tube Diameter	2.6"
Input Voltage	110-277V, 50-60 Hz
Light Source Type	LED
Power	25W / 36W / 60W / 80W / 100W / 120W
CCT	RGB
Dimming & Driver	Integral, DMX 512
Light Distribution	360°
IP Rating	IP 20
Warranty	5 years
Finishes	White

OTHER VERSIONS AVAILABLE



CERTIFICATION



Ordering Information

Select one item from each category below. If your desired option is unavailable, please contact our team for support or custom solutions.

Code	Diameter Ø / Wattage		Light Distribution
<input checked="" type="checkbox"/> OTO Circle / Pendant	<input type="checkbox"/> 15 15.7" / 25 W	<input type="checkbox"/> 47 47.2" / 80 W	<input checked="" type="checkbox"/> B36 Beam 360°
	<input type="checkbox"/> 23 23.6" / 36 W	<input type="checkbox"/> 59 59" / 100 W	
	<input type="checkbox"/> 35 35.4" / 60 W	<input type="checkbox"/> 70 70.8" / 120 W	
Dimming	Canopy Finish Option	Cord Finish Option	Mounting
<input checked="" type="checkbox"/> DMX DMX 512	<input type="checkbox"/> WH White	<input type="checkbox"/> SVW White	<input type="checkbox"/> CT Central Canopy Suspension
	<input type="checkbox"/> BL Black	<input type="checkbox"/> SVB Black	<input type="checkbox"/> MO Multi-Point Suspension
	<input type="checkbox"/> RAL RAL Finishes		<i>*Central Canopy Suspension Mounting is only available for diameters of 23" / 35" / 47" / 59"</i>
Cord Length			
<input type="checkbox"/> L6 59" (adjustable)			
<input type="checkbox"/> Cus Custom on request			

Finishes

Standard finishes



RAL finishes



Cord finishes



RAL K7 CLASSIC COLORS (80-95% GLOSS): RAL_ _ _ _

All RAL Classic colors are available.

On your specification submittal, choose your RAL color by entering the 4-digit RAL code (e.g., RAL 3003).

