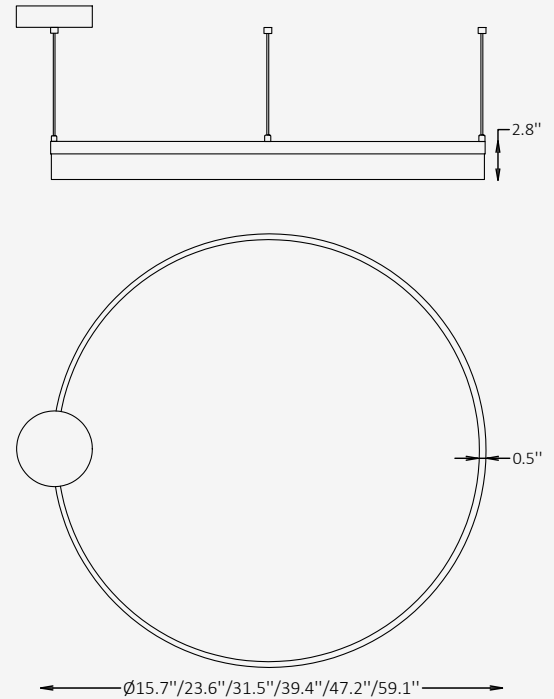




GENERAL INFORMATION

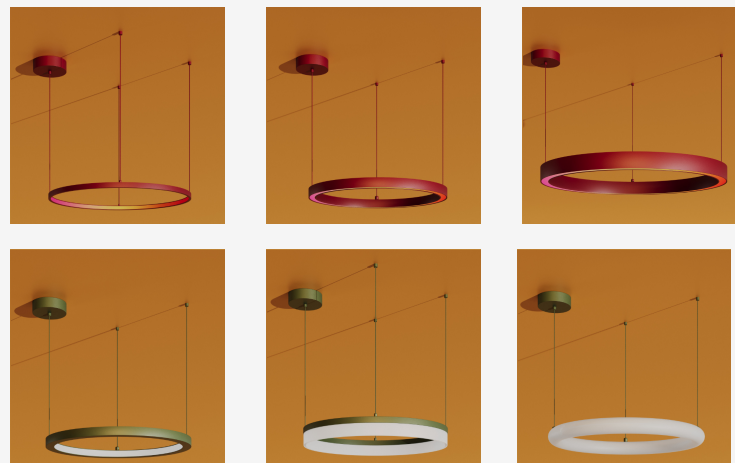
The Orbita Elara Circle is a refined RGB pendant luminaire designed to elevate architectural interiors with color-tunable lighting. Featuring a slim, minimal profile and direct beam distribution, Elara delivers even illumination and vibrant hues in a clean, contemporary form. Ideal for environments requiring visual impact with streamlined aesthetics, it offers flexibility across commercial, hospitality, and creative spaces.



SPECIFICATIONS

Material	Aluminum
Lens	Polycarbonate
Diameter	15.7" / 23.6" / 31.5" / 39.4" / 47.2" / 59.1"
Profile Height	2.8"
Profile Width	0.5"
Input Voltage	110-277V, 50-60 Hz
Light Source Type	LED
Power	15W / 25W / 35W / 45W / 50W / 60W
CCT	RGB
Dimming & Driver	Integral, DMX 512
Light Distribution	Beam Down
IP Rating	IP 20
Warranty	5 years
Finishes	Satin White / Satin Black / RAL finishes

OTHER VERSIONS AVAILABLE



CERTIFICATION



Ordering Information

Select one item from each category below. If your desired option is unavailable, please contact our team for support or custom solutions.

Code	Diameter Ø / Wattage		Light Distribution
<input checked="" type="checkbox"/> OTC Circle / Pendant	<input type="checkbox"/> 16 15.7" / 15 W	<input type="checkbox"/> 39 39.4" / 45 W	<input checked="" type="checkbox"/> BD Beam Down
	<input type="checkbox"/> 23 23.6" / 25 W	<input type="checkbox"/> 47 47.2" / 50 W	
	<input type="checkbox"/> 31 31.5" / 35 W	<input type="checkbox"/> 59 59.1" / 60 W	
Dimming	Profile Finish Option	Canopy Finish Option	Cord Finish Option
<input checked="" type="checkbox"/> DMX DMX 512	<input type="checkbox"/> SW Satin White	<input type="checkbox"/> SW Satin White	<input type="checkbox"/> SVW White
	<input type="checkbox"/> SB Satin Black	<input type="checkbox"/> SB Satin Black	<input type="checkbox"/> SVB Black
	<input type="checkbox"/> RAL RAL Finishes	<input type="checkbox"/> RAL RAL Finishes	
Mounting	Cord Length		
<input type="checkbox"/> CT Central Canopy Suspension	<input type="checkbox"/> L6 59" (adjustable)		
<input type="checkbox"/> MO Multi-Point Suspension	<input type="checkbox"/> Cus Custom on request		

Finishes

Standard finishes



RAL K7 CLASSIC COLORS (80-95% GLOSS): RAL_ _ _ _

All RAL Classic colors are available.

On your specification submittal, choose your RAL color by entering the 4-digit RAL code (e.g., RAL 3003).



RAL finishes



Cord finishes

