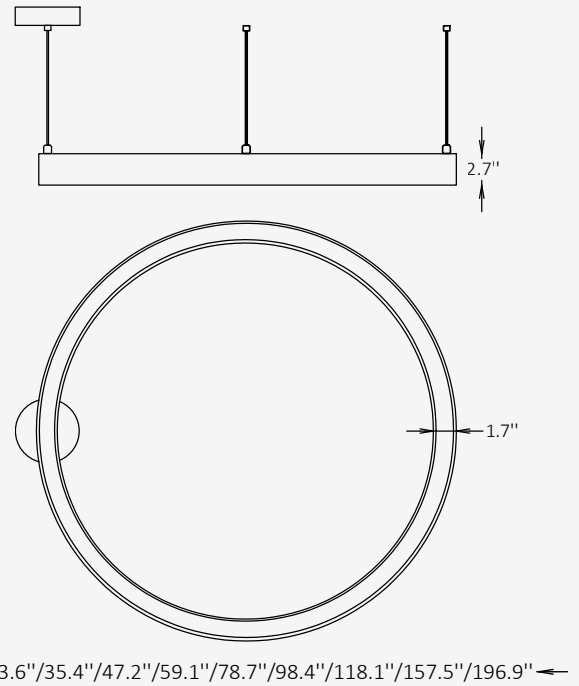




GENERAL INFORMATION

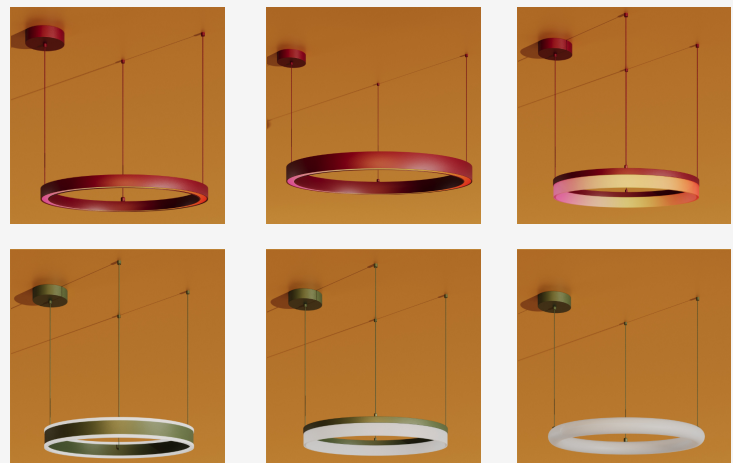
The Orbita Zenith Circle is a bold architectural statement that unites performance and color versatility. Designed with RGB technology and bi-directional (up & down) illumination, Zenith enables layered atmospheres and vivid lighting effects in commercial, hospitality, and creative environments. Its high-output performance and refined form make it ideal for large-scale applications seeking both impact and adaptability.



SPECIFICATIONS

Material	Aluminum
Lens	Polycarbonate
Diameter	23.6" / 35.4" / 47.2" / 59.1" / 78.7" / 98.4" / 118.1" / 157.5" / 196.9"
Profile Height	2.7"
Profile Width	1.7"
Input Voltage	110-277V, 50-60 Hz
Light Source Type	LED
Power	65W / 80W / 120W / 135W / 150W / 200W / 300W / 400W / 480W
CCT	RGB
Dimming & Driver	Integral, DMX 512
Light Distribution	Beam Up & Down
IP Rating	IP 20
Warranty	5 years
Finishes	Satin White / Satin Black / RAL finishes

OTHER VERSIONS AVAILABLE



CERTIFICATION



Ordering Information

Select one item from each category below. If your desired option is unavailable, please contact our team for support or custom solutions.

Code	Diameter Ø / Wattage		Light Distribution
<input checked="" type="checkbox"/> OTZ Circle / Pendant	<input type="checkbox"/> 23 23.6" / 65 W	<input type="checkbox"/> 98 98.4" / 200 W	<input checked="" type="checkbox"/> BUD Beam Up & Down
	<input type="checkbox"/> 35 35.4" / 80 W	<input type="checkbox"/> 118 118.1" / 300 W	
	<input type="checkbox"/> 47 47.2" / 120 W	<input type="checkbox"/> 157 157.5" / 400 W	
	<input type="checkbox"/> 59 59.1" / 135 W	<input type="checkbox"/> 196 196.9" / 480 W	
	<input type="checkbox"/> 78 78.7" / 150 W		
Dimming	Profile Finish Option	Canopy Finish Option	Cord Finish Option
<input checked="" type="checkbox"/> DMX DMX 512	<input type="checkbox"/> SW Satin White	<input type="checkbox"/> SW Satin White	<input type="checkbox"/> SVW White
	<input type="checkbox"/> SB Satin Black	<input type="checkbox"/> SB Satin Black	<input type="checkbox"/> SVB Black
	<input type="checkbox"/> RAL RAL Finishes	<input type="checkbox"/> RAL RAL Finishes	
Mounting	Cord Length		
<input type="checkbox"/> CT Central Canopy Suspension	<input type="checkbox"/> L6 59" (adjustable)		
<input type="checkbox"/> MO Multi-Point Suspension	<input type="checkbox"/> Cus Custom on request		

*Central Canopy Suspension Mounting is only available for diameters of 23" / 35" / 47" / 59"

Finishes

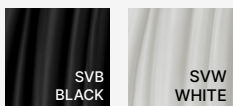
Standard finishes



RAL finishes



Cord finishes



RAL K7 CLASSIC COLORS
(80-95% GLOSS): RAL_ _ _ _

All RAL Classic colors are available.

On your specification submittal, choose your RAL color by entering the 4-digit RAL code (e.g., RAL 3003).

