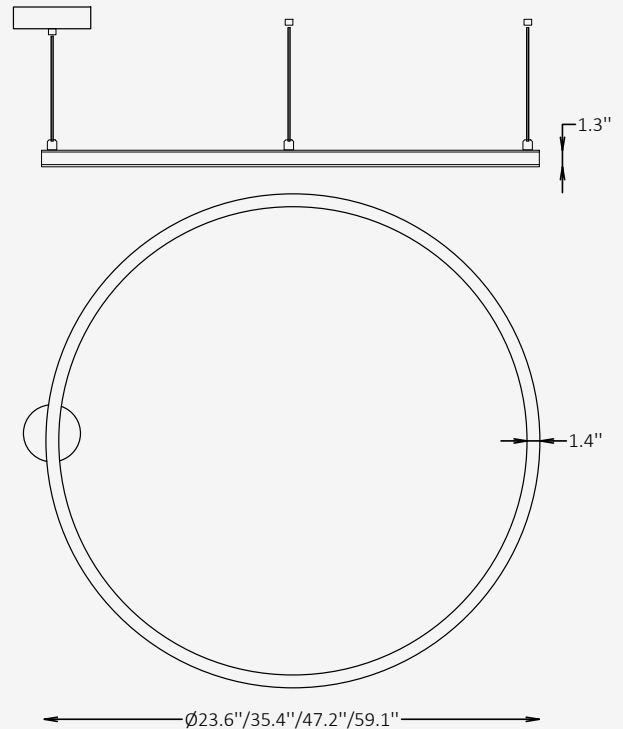




GENERAL INFORMATION

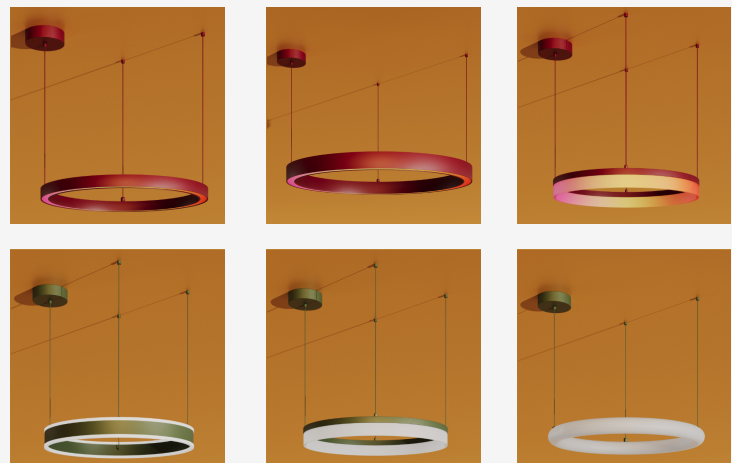
The Orbita Arcus RGB Circle merges architectural form with vibrant dynamic lighting. Featuring a slim circular profile and RGB capability, this fixture delivers immersive ambient color effects with both inward and downward illumination. Ideal for hospitality, retail, or experiential spaces, Arcus creates visual impact while maintaining clean, modern lines and customizable finishes.



SPECIFICATIONS

Material	Aluminum
Lens	Polycarbonate
Diameter	23.6" / 35.4" / 47.2" / 59.1"
Profile Height	1.3"
Profile Width	1.4"
Input Voltage	110-277V, 50-60 Hz
Light Source Type	LED
Power	32W / 40W / 70W / 80W
CCT	RGB
Dimming & Driver	Integral, DMX 512
Light Distribution	Beam In
IP Rating	IP 20
Warranty	5 years
Finishes	Satin White / Satin Black / RAL finishes

OTHER VERSIONS AVAILABLE



CERTIFICATION



Ordering Information

Select one item from each category below. If your desired option is unavailable, please contact our team for support or custom solutions.

Code	Diameter Ø / Wattage	Light Distribution	Dimming
<input checked="" type="checkbox"/> OTU Circle / Pendant	<input type="checkbox"/> 23 23.6" / 32 W	<input checked="" type="checkbox"/> BN Beam In	<input checked="" type="checkbox"/> DMX DMX 512
	<input type="checkbox"/> 35 35.4" / 40 W		
	<input type="checkbox"/> 47 47.2" / 70 W		
	<input type="checkbox"/> 59 59.1" / 80 W		
Profile Finish Option	Canopy Finish Option	Cord Finish Option	Mounting
<input type="checkbox"/> SW Satin White	<input type="checkbox"/> SW Satin White	<input type="checkbox"/> SVW White	<input type="checkbox"/> CT Central Canopy Suspension
<input type="checkbox"/> SB Satin Black	<input type="checkbox"/> SB Satin Black	<input type="checkbox"/> SVB Black	<input type="checkbox"/> MO Multi-Point Suspension
<input type="checkbox"/> RAL RAL Finishes	<input type="checkbox"/> RAL RAL Finishes		
Cord Length			
<input type="checkbox"/> L6 59" (adjustable)			
<input type="checkbox"/> Cus Custom on request			

Finishes

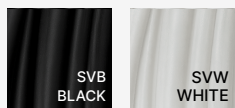
Standard finishes



RAL finishes



Cord finishes



RAL K7 CLASSIC COLORS
(80-95% GLOSS): RAL_ _ _ _

All RAL Classic colors are available.

On your specification submittal, choose your RAL color by entering the 4-digit RAL code (e.g., RAL 3003).

