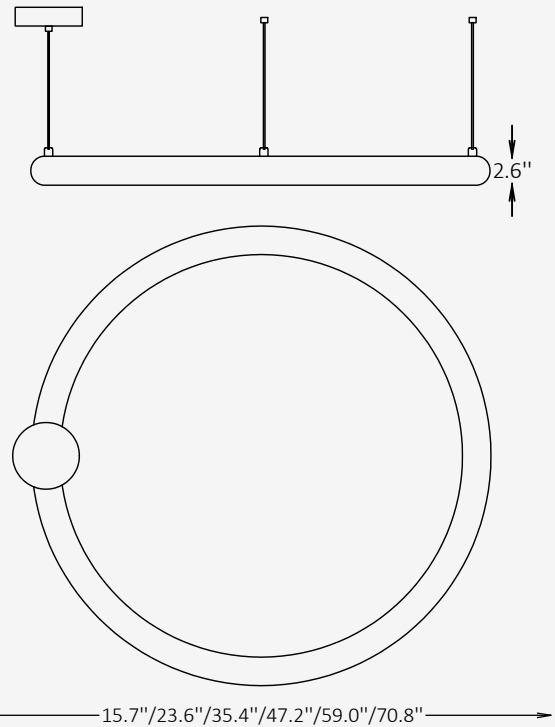




GENERAL INFORMATION

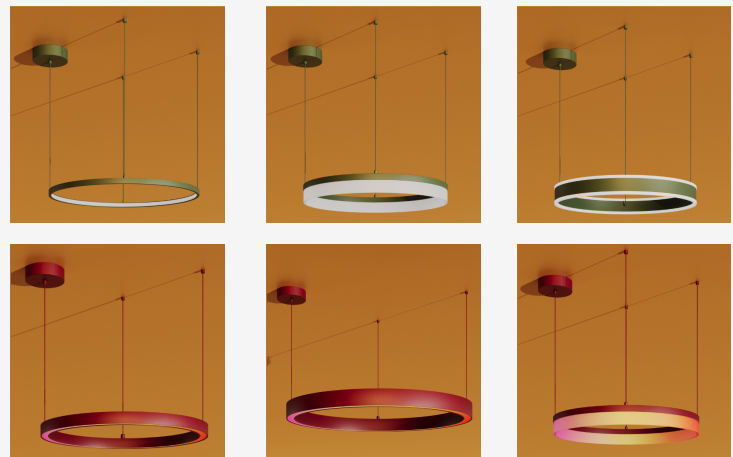
The Orbita Lumen Circle delivers uninterrupted 360-degree illumination through a sleek, seamless ring design. Crafted from lightweight polycarbonate, this luminaire offers soft, evenly diffused light that wraps the space in visual balance. Ideal for modern interiors that demand both elegance and efficiency, the Orbita Lumen Circle is a standout solution for hospitality, office, and retail environments.



SPECIFICATIONS

Material	Polycarbonate
Diameter	15.7" / 23.6" / 35.4" / 47.2" / 59.0" / 70.8"
Tube Diameter	2.6"
Input Voltage	110-277V, 50-60 Hz
Light Source Type	LED
Power	25W / 36W / 60W / 80W / 100W / 120W
LED Output	105 lm/W
CCT	3000K / 3500K / 4000K
CRI	90
Dimming & Driver	Integral, 0-10V
Light Distribution	360°
IP Rating	IP 20
Warranty	5 years
Finishes	White

OTHER VERSIONS AVAILABLE



CERTIFICATION



Ordering Information

Select one item from each category below. If your desired option is unavailable, please contact our team for support or custom solutions.

Code	Diameter Ø / Wattage / Lumens		CCT
<input checked="" type="checkbox"/> OTM Circle / Pendant	<input type="checkbox"/> 15 15.7" / 25 W / 2625 lm	<input type="checkbox"/> 47 47.2" / 80 W / 8400 lm	<input type="checkbox"/> 30 3000K
	<input type="checkbox"/> 23 23.6" / 36 W / 3780 lm	<input type="checkbox"/> 59 59" / 100 W / 10,500 lm	<input type="checkbox"/> 35 3500K
	<input type="checkbox"/> 35 35.4" / 60 W / 6300 lm	<input type="checkbox"/> 70 70.8" / 120 W / 12,600 lm	<input type="checkbox"/> 40 4000K
Light Distribution	Dimming	CRI	Canopy Finish Option
<input checked="" type="checkbox"/> B36 Beam 360°	<input type="checkbox"/> NN Non-Dimmable	<input checked="" type="checkbox"/> CR9 90	<input type="checkbox"/> WH White
	<input type="checkbox"/> DM 0-10V		<input type="checkbox"/> BL Black
			<input type="checkbox"/> RAL RAL Finishes
Cord Finish Option	Mounting	Cord Length	
<input type="checkbox"/> SVW White	<input type="checkbox"/> CT Central Canopy Suspension	<input type="checkbox"/> L6 59" (adjustable)	
<input type="checkbox"/> SVB Black	<input type="checkbox"/> MO Multi-Point Suspension	<input type="checkbox"/> Cus Custom on request	
	<small>*Central Canopy Suspension Mounting is only available for diameters of 23" / 35" / 47" / 59"</small>		

Finishes

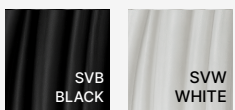
Standard finishes



RAL finishes



Cord finishes



RAL K7 CLASSIC COLORS
(80-95% GLOSS): RAL_ _ _ _

All RAL Classic colors are available.

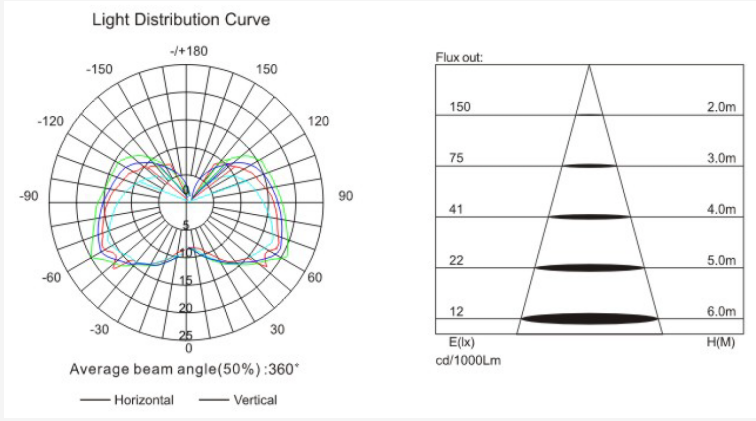
On your specification submittal, choose your RAL color by entering the 4-digit RAL code (e.g., RAL 3003).



Project

Notes

Photometric Data



DBI
MILK