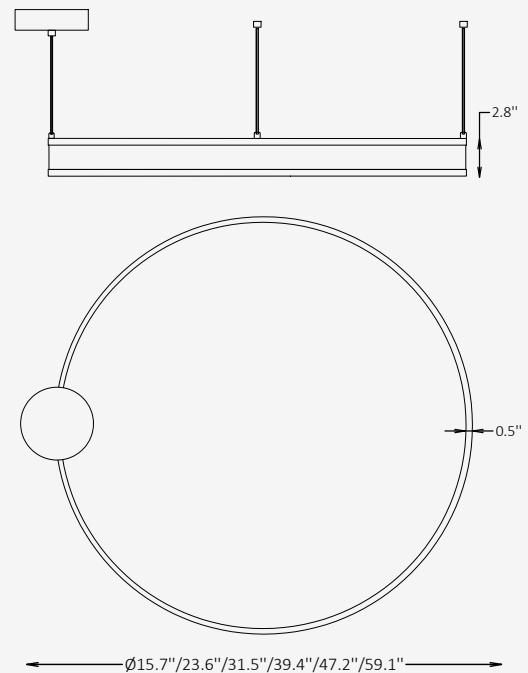




GENERAL INFORMATION

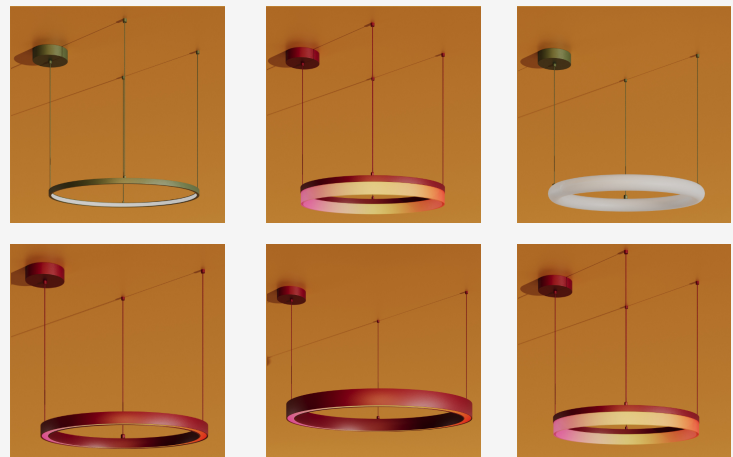
The Orbita Echo Circle is a refined dual-emission pendant that delivers both upward and downward illumination in a sleek, architectural form. Designed for optimal performance and minimal visual weight, this luminaire features a slim aluminum profile and polycarbonate lens, offering efficient Beam Up & Down distribution. Ideal for open-plan environments, lobbies, and collaborative spaces, the Echo Circle enhances ambient brightness while maintaining visual balance and design harmony.



SPECIFICATIONS

Material	Aluminum
Lens	Polycarbonate
Diameter	15.7" / 23.6" / 31.5" / 39.4" / 47.2" / 59.1"
Profile Height	2.8"
Profile Width	0.5"
Input Voltage	110-277V, 50-60 Hz
Light Source Type	LED
Power	30W / 50W / 60W / 80W / 90W / 100W
LED Output	70 lm/W
CCT	3000K / 3500K / 4000K
CRI	90
Dimming & Driver	Integral, 0-10V
Light Distribution	Beam Up & Down
IP Rating	IP 20
Warranty	5 years
Finishes	Satin White / Satin Black / RAL finishes

OTHER VERSIONS AVAILABLE



CERTIFICATION



Ordering Information

Select one item from each category below. If your desired option is unavailable, please contact our team for support or custom solutions.

Code	Diameter Ø / Wattage / Lumens		CCT
<input checked="" type="checkbox"/> OTE Circle / Pendant	<input type="checkbox"/> 16 15.7" / 30 W / 1050 + 1050 lm	<input type="checkbox"/> 39 39.4" / 80 W / 2700 + 2700 lm	<input type="checkbox"/> 30 3000K
	<input type="checkbox"/> 23 23.6" / 50 W / 1750 + 1750 lm	<input type="checkbox"/> 47 47.2" / 90 W / 3150 + 3150 lm	<input type="checkbox"/> 35 3500K
	<input type="checkbox"/> 31 31.5" / 60 W / 2100 + 2100 lm	<input type="checkbox"/> 59 59.1" / 100 W / 3500 + 3500 lm	<input type="checkbox"/> 40 4000K
Light Distribution	Dimming	CRI	Profile Finish Option
<input checked="" type="checkbox"/> BUD Beam Up & Down	<input type="checkbox"/> NN Non-Dimmable	<input checked="" type="checkbox"/> CR9 90	<input type="checkbox"/> SW Satin White
	<input type="checkbox"/> DM 0-10V		<input type="checkbox"/> SB Satin Black
			<input type="checkbox"/> RAL RAL Finishes
Canopy Finish Option	Cord Finish Option	Mounting	Cord Length
<input type="checkbox"/> WH White	<input type="checkbox"/> SVW White	<input type="checkbox"/> CT Central Canopy Suspension	<input type="checkbox"/> L6 59" (adjustable)
<input type="checkbox"/> BL Black	<input type="checkbox"/> SVB Black	<input type="checkbox"/> MO Multi-Point Suspension	<input type="checkbox"/> Cus Custom on request
<input type="checkbox"/> RAL RAL Finishes			

Finishes

Standard finishes



RAL finishes



Cord finishes



RAL K7 CLASSIC COLORS
(80-95% GLOSS): RAL_ _ _ _

All RAL Classic colors are available.

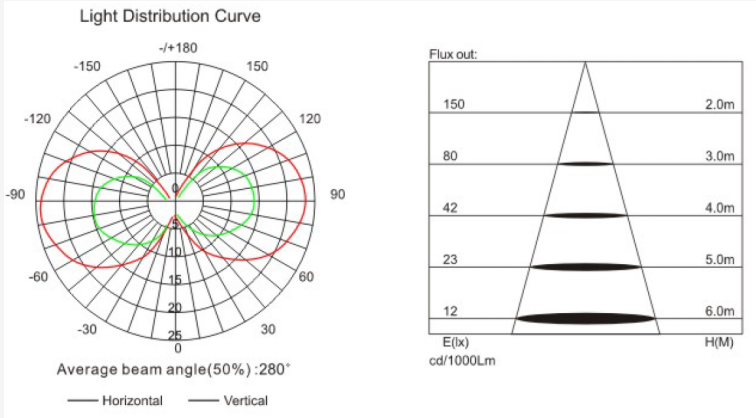
On your specification submittal, choose your RAL color by entering the 4-digit RAL code (e.g., RAL 3003).



Project

Notes

Photometric Data



DBI
MILK