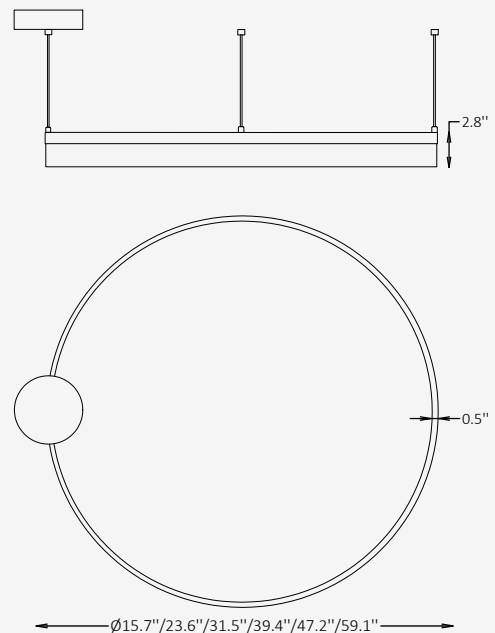




## GENERAL INFORMATION

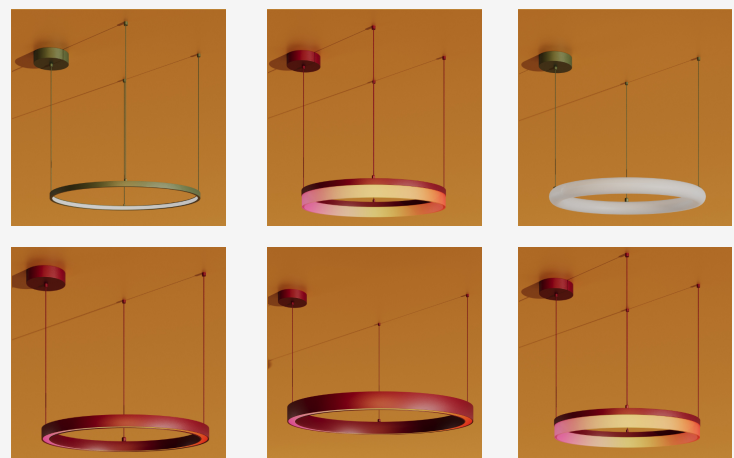
The Orbita Aura Circle combines refined geometry with a clean, minimal aesthetic, delivering soft, downward illumination ideal for contemporary interior environments. With its ultra-slim ring profile and evenly diffused Beam Down light output, this pendant fixture provides both functional performance and visual lightness. Engineered with precision-machined aluminum and a polycarbonate lens, it is available in a wide range of diameters and finishes to meet the needs of architectural, hospitality, or commercial applications.



## SPECIFICATIONS

Material	Aluminum
Lens	Polycarbonate
Diameter	15.7" / 23.6" / 31.5" / 39.4" / 47.2" / 59.1"
Profile Height	2.8"
Profile Width	0.5"
Input Voltage	110-277V, 50-60 Hz
Light Source Type	LED
Power	15W / 25W / 35W / 45W / 50W / 60W
LED Output	70 lm/W
CCT	3000K / 3500K / 4000K
CRI	90
Dimming & Driver	Integral, 0-10V
Light Distribution	Beam Down
IP Rating	IP 20
Warranty	5 years
Finishes	Satin White / Satin Black / RAL finishes

## OTHER VERSIONS AVAILABLE



## CERTIFICATION



## Ordering Information

Select one item from each category below. If your desired option is unavailable, please contact our team for support or custom solutions.

Code	Diameter Ø / Wattage / Lumens		CCT
<input checked="" type="checkbox"/> <b>OTA</b> Circle / Pendant	<input type="checkbox"/> <b>16</b> 15.7" / 15 W / 1050 lm	<input type="checkbox"/> <b>39</b> 39.4" / 45 W / 3150 lm	<input type="checkbox"/> <b>30</b> 3000K
	<input type="checkbox"/> <b>23</b> 23.6" / 25 W / 1750 lm	<input type="checkbox"/> <b>47</b> 47.2" / 50 W / 3500 lm	<input type="checkbox"/> <b>35</b> 3500K
	<input type="checkbox"/> <b>31</b> 31.5" / 35 W / 2450 lm	<input type="checkbox"/> <b>59</b> 59.1" / 60 W / 4200 lm	<input type="checkbox"/> <b>40</b> 4000K
Light Distribution	Dimming	CRI	Profile Finish Option
<input checked="" type="checkbox"/> <b>BD</b> Beam Down	<input type="checkbox"/> <b>NN</b> Non-Dimmable	<input checked="" type="checkbox"/> <b>CR9</b> 90	<input type="checkbox"/> <b>SW</b> Satin White
	<input type="checkbox"/> <b>DM</b> 0-10V		<input type="checkbox"/> <b>SB</b> Satin Black
			<input type="checkbox"/> <b>RAL</b> RAL Finishes
Canopy Finish Option	Cord Finish Option	Mounting	Cord Length
<input type="checkbox"/> <b>WH</b> White	<input type="checkbox"/> <b>SVW</b> White	<input type="checkbox"/> <b>CT</b> Central Canopy Suspension	<input type="checkbox"/> <b>L6</b> 59" (adjustable)
<input type="checkbox"/> <b>BL</b> Black	<input type="checkbox"/> <b>SVB</b> Black	<input type="checkbox"/> <b>MO</b> Multi-Point Suspension	<input type="checkbox"/> <b>Cus</b> Custom on request
<input type="checkbox"/> <b>RAL</b> RAL Finishes			

## Finishes

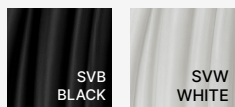
### Standard finishes



### RAL finishes



### Cord finishes



**RAL K7 CLASSIC COLORS**  
(80-95% GLOSS): RAL\_ \_ \_ \_

All RAL Classic colors are available.

On your specification submittal, choose your RAL color by entering the 4-digit RAL code (e.g., RAL 3003).



Project

Notes

# Photometric Data

